

UNIT	HI COOL	LOW COOL	HIGH HEAT	LOW HEAT	PARK
D/F45X388	BLACK	BROWN	BLUE	YELLOW	RED
D/F45X488	BLACK	BROWN	BLUE	YELLOW	RED
D/F10X60C	BLACK	BLUE	BROWN	YELLOW	RED
	BLACK	BROWN	BROWN	YELLOW	RED

BLOWER SPEED SELECTION			
HI	AT FIC	LOW	AT FIC
---	---	---	---
---	---	---	---

HUMIDIFIER	
TO R	TO C
---	---
---	---

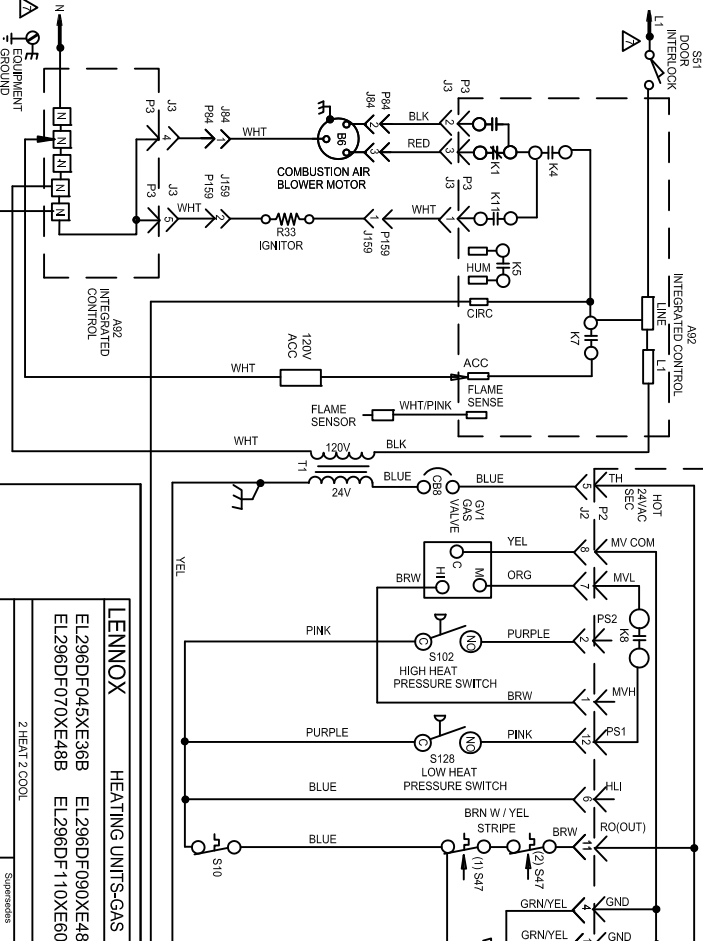
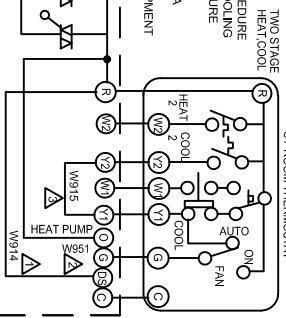
HUMIDIFIER	
AT FIC	TO L1
---	---
---	---

JACKPLUG CHART	
J1948	JACKPLUG INDOOR BLOWER-POWER
J1948	JACKPLUG INDOOR BLOWERS-SPD TAP
J192	JACKPLUG-BURNER CONTROL
J192	JACKPLUG-COMB AIR INDUCER
J192	JACKPLUG INDOOR/OUTDOOR
J192	JACKPLUG-IGNITION

- ⚠ CUT W914 JUMPER LABELED DEHUM FROM DS TO R AT A92 CONTROL BOARD WHEN USED WITH ComSense™ 7000 THERMOSTAT
- ⚠ CUT W951 JUMPER FROM O TO R LABELED "HEAT PUMP" AT A92 CONTROL BOARD WHEN USED FOR DUAL FUEL APPLICATIONS
- ⚠ CUT W915 JUMPER LABELED "2 STAGE COMP" FROM Y1 TO Y2 AT A92 CONTROL WHEN USED WITH A 2 STAGE COOL THERMOSTAT.
- ⚠ L13 USED ON 3/4 AND 1 HP ONLY
- ⚠ THERMOSTAT HEAT ANTICIPATION SETTING
- ⚠ 43 AMP WHITE RODGERS VALVE
- ⚠ 63 AMP WHITE RODGERS VALVE
- ⚠ DFP SWITCH FACTORY DEFAULT IS FOR A TWO STAGE THERMOSTAT
- ⚠ FIELD SUPPLIED ACC WIRE
- ⚠ USE COPPER CONDUCTORS ONLY
- ⚠ DH AND L TERMINALS NOT USED.
- ⚠ DO NOT USE RED (LOW SPEED) FOR HIGH HEAT ON ALL MODELS.

NOTE: SEE INSTALLATION INSTRUCTIONS FOR PROCEDURE TO SET CORRECT BLOWER SPEED FOR SPECIFIC COOLING TONNAGE BEING APPLIED, AND HEATING TEMPERATURE RISE REQUIRED.

TYPICAL SYSTEM SHOWN FOR 2 HEAT/2 COOL WITH A CONVENTIONAL THERMOSTAT. SEE INSTALLATION INSTRUCTIONS FOR CONNECTIONS TO OTHER EQUIPMENT AND ACCESSORIES.



 Form No. 537577-01	LENOX HEATING UNITS-GAS EL296DF045XE388 EL296DF090XE48C EL296DF070XE488 EL296DF110XE60C
	2 HEAT 2 COOL Supersede
	1214
	LENOX U.S.A.

WARNING-
ELECTRIC SHOCK HAZARD CAN CAUSE INJURY
OR DEATH. UNIT MUST BE GROUNDING IN ACCORDANCE
WITH NATIONAL AND LOCAL CODES.

NOTE-
IF ANY WIRE IN THIS APP. LANCE IS REPLACED IT
MUST BE REPLACED WITH WIRE OF THE SAME
RATING, INSULATION THICKNESS, AND TERMINATION

