

UNIT	HI COOL	LOW COOL	HIGH HEAT	LOW HEAT	PARK
UH04XE36B	BLACK	BROWN	BLUE	YELLOW	RED
UH07OXE36B	BLACK	BROWN	BLUE	YELLOW	RED
UH09OXE48C	BLACK	BROWN	BLUE	YELLOW	RED
UH10XENC	BLACK	BLUE	BROWN	YELLOW	RED
UH13XE60D	BLACK	BROWN	BLUE	YELLOW	RED
UH15XE60C	BLACK	BROWN	BLUE	YELLOW	RED
BLOWER SPEED SELECTION					
HI			LOW		
SPEED TAPS	BLACK	BROWN	BLUE	YELLOW	RED

WIRE COLOR	FUNCTION
BLACK	24VAC HUMIDIFIER
BROWN	24VAC HUMIDIFIER
BLUE	24VAC HUMIDIFIER
YELLOW	24VAC HUMIDIFIER
RED	24VAC HUMIDIFIER
BLACK	24VAC HUMIDIFIER
BROWN	24VAC HUMIDIFIER
BLUE	24VAC HUMIDIFIER
YELLOW	24VAC HUMIDIFIER
RED	24VAC HUMIDIFIER

NOTE: SEE INSTALLATION INSTRUCTIONS FOR PROCEEDURE TO SET CORRECT BLOWER SPEED FOR SPECIFIC COOLING TONNAGE BEING APPLIED AND HEATING TEMPERATURE RISE DESIRED.

TYPICAL SYSTEM SHOWN FOR 2 HEAT/2 COOL WITH A CONVENTIONAL THERMOSTAT. SEE INSTALLATION INSTRUCTIONS FOR CONNECTIONS TO OTHER EQUIPMENT AND ACCESSORIES.

1.13 USED ON 3/4 AND 1 HP ONLY

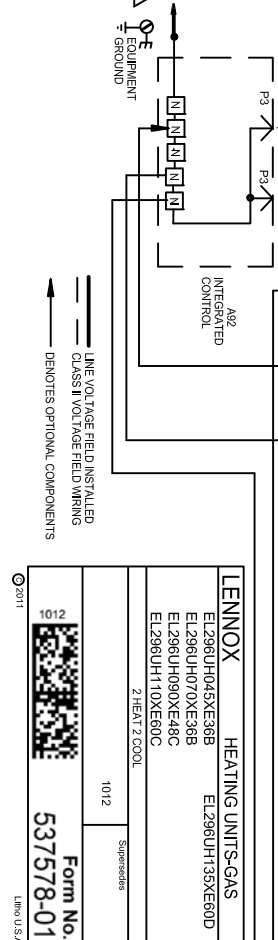
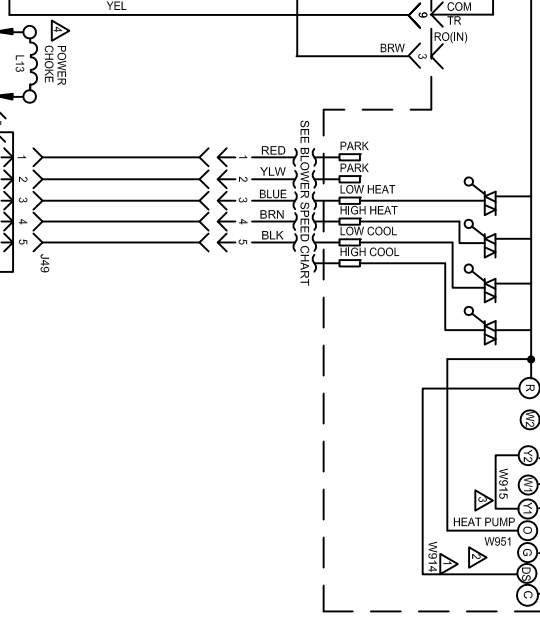
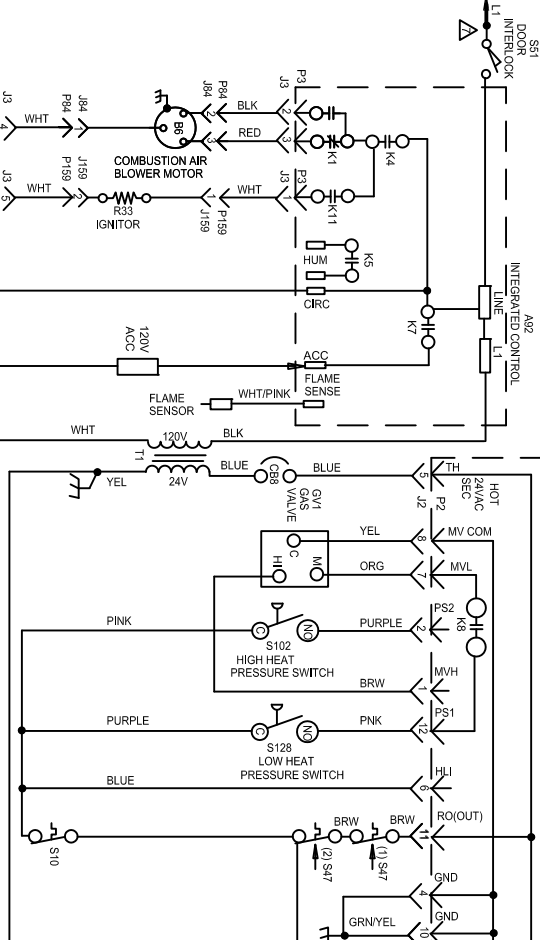
DIP SWITCH FACTORY DEFAULT IS FOR A TWO STAGE THERMOSTAT

FIELD SUPPLIED ACC WIRE

USE COPPER CONDUCTORS ONLY

HI AND L TERMINALS ARE NOT USED.

DO NOT USE RED SPEED TAP FOR HIGH HEAT ON ALL MODELS. DO NOT USE YELLOW SPEED TAP FOR HIGH HEAT ON 070XE36B OR 090XE48C MODELS.



WARNING- ELECTRIC SHOCK HAZARD CAN CAUSE INJURY OR DEATH. UNIT MUST BE GROUNDED IN ACCORDANCE WITH NATIONAL AND LOCAL CODES.

NOTE- IF ANY WIRE IN THIS APPLIANCE IS REPLACED IT MUST BE REPLACED WITH WIRE OF LIKE SIZE, RATING, INSULATION THICKNESS, AND TERMINATION

LENNOX HEATING UNITS-GAS

EL296UH04XE36B

EL296UH07OXE36B

EL296UH09OXE48C

EL296UH10XENC

EL296UH110XE60C

2 HEAT/2 COOL

Supersedes 1012

Form No. 537578-01

©2011 Lennox U.S.A.