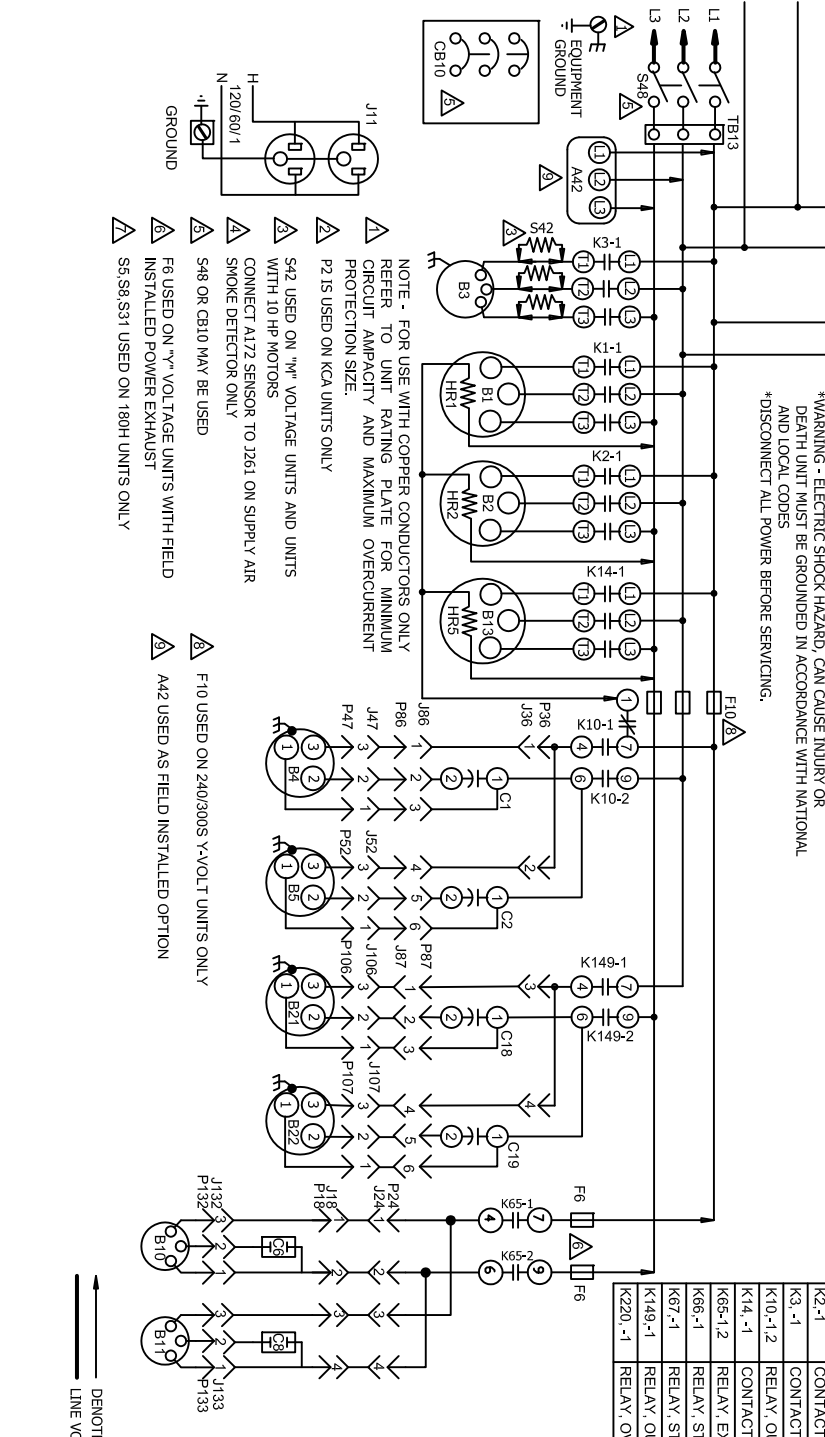


KEY	COMPONENT
A42	MONITOR, PHASE PROTECTION
A171	SENSOR ONE, SMOKE, RETURN AIR
A172	SENSOR TWO, SMOKE, SUPPLY AIR
A173	MODULE, CONTROL SMOKE DETECTION
B1	COMPRESSOR 1
B2	COMPRESSOR 2
B3	MOTOR, BLOWER
B4	MOTOR, OUTDOOR FAN 1
B5	MOTOR, OUTDOOR FAN 2
B10	MOTOR, EXHAUST FAN 1
B11	MOTOR, EXHAUST FAN 2
B13	COMPRESSOR 3

KEY	COMPONENT
B21	MOTOR, OUTDOOR FAN 3
B22	MOTOR, OUTDOOR FAN 4
C1	CAPACITOR, OUTDOOR FAN 1
C2	CAPACITOR, OUTDOOR FAN 2
C6	CAPACITOR, EXHAUST FAN 1

KEY	COMPONENT
C8	CAPACITOR, EXHAUST FAN 2
C18	CAPACITOR, OUTDOOR FAN 3
C19	CAPACITOR, OUTDOOR FAN 4
CB8	CIRCUIT, BREAKER T1
CB10	CIRCUIT, BREAKER MAIN DISCONNECT
CB18	CIRCUIT, BREAKER T18
DL46	DELAY, OVERFLOW SWITCH
HR1	CRANKCASE HEATER, COMPRESSOR 1
HR2	CRANKCASE HEATER, COMPRESSOR 2
HR5	CRANKCASE HEATER, COMPRESSOR 3
F6	FUSE, EXHAUST FANS
F10	FUSE, OUTDOOR FANS
J11	JACK, GFI, RECEPTACLE
J261	JACK, SMOKE DETECTOR JUMPER
K1,-1	CONTACTOR, COMPRESSOR 1
K2,-1	CONTACTOR, COMPRESSOR 2
K3,-1	CONTACTOR, COMPRESSOR 3
K10,-1,2	RELAY, OUTDOOR FAN
K14,-1	CONTACTOR, COMPRESSOR 3
K65,-1,2	RELAY, EXHAUST FAN 1
K66,-1	RELAY, STAGE COOL. 1
K449,-1	RELAY, STAGE COOL. 2
K220,-1	RELAY, OUTDOOR FAN 3
K220,-1	RELAY, OVERFLOW SWITCH

J/P	JACKPLUG DESCRIPTION
2	HEAT
18	EXHAUST FAN
24	EXHAUST FAN
35	TEST
36	TEST COOL
47	OUTDOOR FAN 1
52	OUTDOOR FAN 2
86	OUTDOOR FANS 1,2
87	OUTDOOR FANS 3,4
106	OUTDOOR FAN 3
107	OUTDOOR FAN 4
132	EXHAUST BLOWER FAN MOTOR 1
133	EXHAUST BLOWER FAN MOTOR 2
250	SMOKE DETECTOR ONE
251	SMOKE DETECTOR ONE
252	SMOKE DETECTOR TWO
253	SMOKE DETECTOR TWO
255	CONTROL MODULE SMOKE DETECTION
324	VFD OPTION CONNECTION
325	K3 BLOWER CONTROL
326	PHASE MONITOR/VFD CONTROL ADD-ON
327	PHASE MONITOR/VFD CONTROL ADD-ON



NOTE - IF ANY WIRE IN THIS APPLIANCE IS REPLACED IT MUST BE REPLACED WITH WIRE OF LIKE SIZE, RATING, TERMINATION AND INSULATION THICKNESS.
 *WARNING - ELECTRIC SHOCK HAZARD, CAN CAUSE INJURY OR DEATH. UNIT MUST BE GROUNDED IN ACCORDANCE WITH NATIONAL AND LOCAL CODES.
 *DISCONNECT ALL POWER BEFORE SERVICING.

NOTE - FOR USE WITH COPPER CONDUCTORS ONLY REFER TO UNIT RATING PLATE FOR MINIMUM PROTECTION SIZE.
 P2, J5 USED ON KCA UNITS ONLY
 P2, J5 USED ON KCA UNITS ONLY
 S42 USED ON "M" VOLTAGE UNITS AND UNITS WITH 10 HP MOTORS
 CONNECT A172 SENSOR TO J261 ON SUPPLY AIR SMOKE DETECTOR ONLY
 S48 OR CB10 MAY BE USED
 F6 USED ON "M" VOLTAGE UNITS WITH FIELD INSTALLED POWER EXHAUST
 S5, S8, S31 USED ON 180H UNITS ONLY
 F10 USED ON 240/300S V-VOLT UNITS ONLY
 A42 USED AS FIELD INSTALLED OPTION

DEVOTES OPTIONAL COMPONENTS
 LINE VOLTAGE FIELD INSTALLED

01/13

WIRING DIAGRAM

01/13

537586-01

COOLING

KCA/KGA - 240/300S, 180H - G,J,M,Y

SECTION B

Supersedes 537084-03

New Form No. 537586-01

REV 0