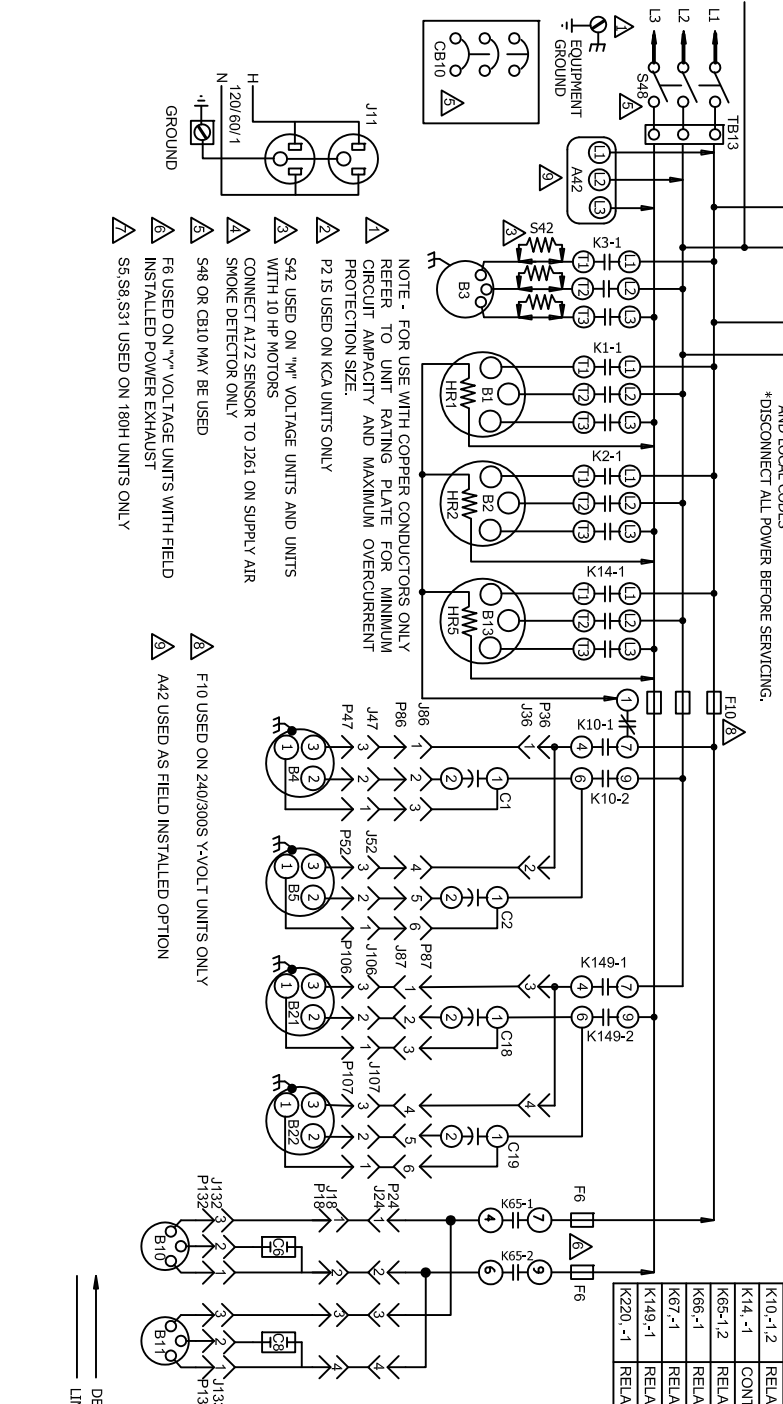


KEY	COMPONENT
A42	MONITOR, PHASE PROTECTION
A171	SENSOR ONE, SMOKE, RETURN AIR
A172	SENSOR TWO, SMOKE, SUPPLY AIR
A173	MODULE, CONTROL SMOKE DETECTION
B1	COMPRESSOR 1
B2	COMPRESSOR 2
B3	MOTOR, BLOWER
B4	MOTOR, OUTDOOR FAN 1
B5	MOTOR, OUTDOOR FAN 2
B10	MOTOR, EXHAUST FAN 1
B11	MOTOR, EXHAUST FAN 2
B13	COMPRESSOR 3
S4	SWITCH, LIMIT HI PRESS COMP 1 (MANUAL RESET)
S5	SWITCH, LIMIT HI TEMP LIMIT COMP 1
S7	SWITCH, LIMIT HI PRESS COMP 2 (MANUAL RESET)
S8	SWITCH, LIMIT HI TEMP LIMIT COMP 2
S11	SWITCH, LOW PRESS, LOW AMBIENT KIT COMP 1
S28	SWITCH, LIMIT HI PRESS COMP 3 (MANUAL RESET)
S31	SWITCH, HI TEMP LIMIT COMP 3
S42	SWITCH, OVERLOAD RELAY BLOWER MOTOR
S48	SWITCH, DISCONNECT
S49	SWITCH, FREEZE/STAT COMP 1
S50	SWITCH, FREEZE/STAT COMP 2
S53	SWITCH, FREEZE/STAT COMP 3
S94	SWITCH, LOW PRESS, LOW AMBIENT KIT COMP 2

KEY	COMPONENT
B21	MOTOR, OUTDOOR FAN 3
B22	MOTOR, OUTDOOR FAN 4
C1	CAPACITOR, OUTDOOR FAN 1
C2	CAPACITOR, OUTDOOR FAN 2
C6	CAPACITOR, EXHAUST FAN 1
S85	SWITCH, LOW PRESS, LOW AMBIENT KIT COMP 3
S149	SWITCH, OVERFLOW
T1	TRANSFORMER, CONTROL
T18	TRANSFORMER, CONTACTOR CONTROL
TB13	TERMINAL STRIP, POWER DISTRIBUTION

KEY	COMPONENT
C8	CAPACITOR, EXHAUST FAN 2
C18	CAPACITOR, OUTDOOR FAN 3
C19	CAPACITOR, OUTDOOR FAN 4
C88	CIRCUIT, BREAKER T1
CB10	CIRCUIT, BREAKER MAIN DISCONNECT
CB18	CIRCUIT, BREAKER T18
DL46	DELAY, OVERFLOW SWITCH
HR1	CRANKCASE HEATER, COMPRESSOR 1
HR2	CRANKCASE HEATER, COMPRESSOR 2
HR5	CRANKCASE HEATER, COMPRESSOR 3
F6	FUSE, EXHAUST FANS
F10	FUSE, OUTDOOR FANS
J11	JACK, GFI, RECEPTACLE
J261	JACK, SMOKE DETECTOR JUMPER
K1,-1	CONTACTOR, COMPRESSOR 1
K2,-1	CONTACTOR, COMPRESSOR 2
K3,-1	CONTACTOR, BLOWER
K10,-1,2	RELAY, OUTDOOR FAN
K14,-1	CONTACTOR, COMPRESSOR 3
K65,-1,2	RELAY, EXHAUST FAN 1
K66,-1	RELAY, STAGE COOL 1
K67,-1	RELAY, STAGE COOL 2
K449,-1	RELAY, OUTDOOR FAN 3
K220,-1	RELAY, OVERFLOW SWITCH

J/P	JACKPLUG DESCRIPTION
2	HEAT
18	EXHAUST FAN
24	EXHAUST FAN
35	TEST
36	TEST COOL
47	OUTDOOR FAN 1
52	OUTDOOR FAN 2
86	OUTDOOR FANS 1,2
87	OUTDOOR FANS 3,4
106	OUTDOOR FAN 3
107	OUTDOOR FAN 4
132	EXHAUST BLOWER FAN MOTOR 1
133	EXHAUST BLOWER FAN MOTOR 2
250	SMOKE DETECTOR ONE
251	SMOKE DETECTOR ONE
252	SMOKE DETECTOR TWO
253	SMOKE DETECTOR TWO
255	CONTROL MODULE SMOKE DETECTION
324	VFD OPTION CONNECTION
325	K3 BLOWER CONTROL
326	PHASE MONITOR/VFD CONTROL ADD-ON
327	PHASE MONITOR/VFD CONTROL ADD-ON



KEY	COMPONENT
B21	MOTOR, OUTDOOR FAN 3
B22	MOTOR, OUTDOOR FAN 4
C1	CAPACITOR, OUTDOOR FAN 1
C2	CAPACITOR, OUTDOOR FAN 2
C6	CAPACITOR, EXHAUST FAN 1
S85	SWITCH, LOW PRESS, LOW AMBIENT KIT COMP 3
S149	SWITCH, OVERFLOW
T1	TRANSFORMER, CONTROL
T18	TRANSFORMER, CONTACTOR CONTROL
TB13	TERMINAL STRIP, POWER DISTRIBUTION

10/14

537586-01

WIRING DIAGRAM

COOLING

KCA/KGA - 240/300S, 180H - G,J,M,Y

SECTION B

Supersedes 537084-03

New Form No. 537586-01

REV 2

NOTE - FOR USE WITH COPPER CONDUCTORS ONLY REFER TO UNIT RATING PLATE FOR MINIMUM PROTECTION SIZE.

P2 IS USED ON KCA UNITS ONLY

S42 USED ON "M" VOLTAGE UNITS AND UNITS WITH 10 HP MOTORS

CONNECT A172 SENSOR TO J261 ON SUPPLY AIR SMOKE DETECTOR ONLY

S48 OR CB10 MAY BE USED

F6 USED ON "M" VOLTAGE UNITS WITH FIELD INSTALLED POWER EXHAUST

S5,S8,S31 USED ON 180H UNITS ONLY

F10 USED ON 240/300S V-VOLT UNITS ONLY

A42 USED AS FIELD INSTALLED OPTION

DEVOTES OPTIONAL COMPONENTS

LINE VOLTAGE FIELD INSTALLED