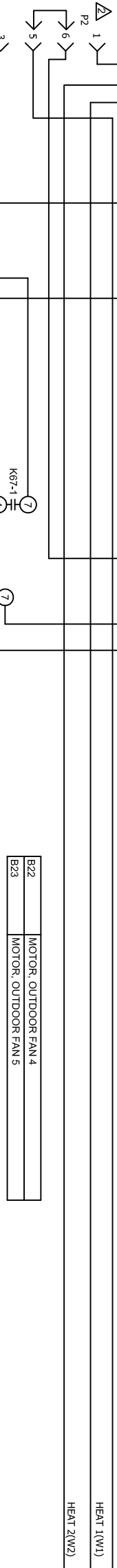


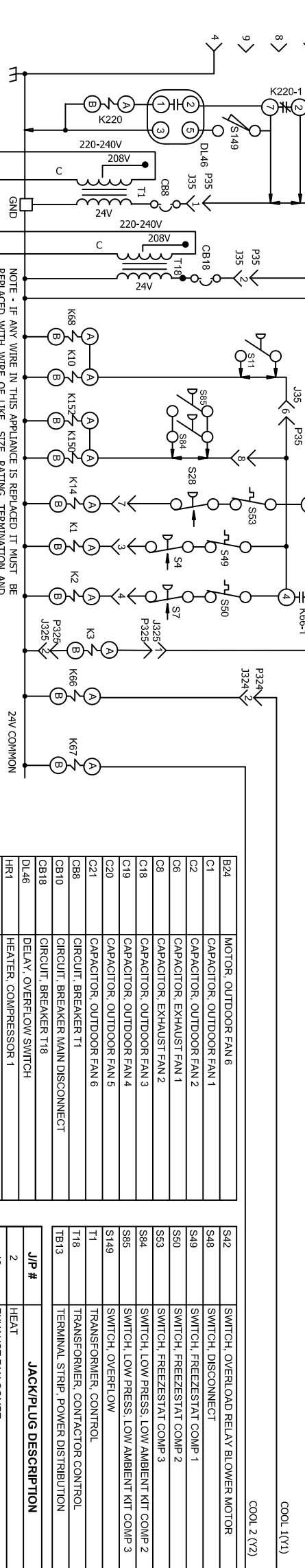
KEY	COMPONENT
A42	MONITOR, PHASE PROTECTION
A171	SENSOR ONE, SMOKE, RETURN AIR
A172	SENSOR TWO, SMOKE, SUPPLY AIR
A173	MODULE, CONTROL SMOKE DETECTION
B1	COMPRESSOR 1
B2	COMPRESSOR 2
B3	MOTOR, BLOWER
B4	MOTOR, OUTDOOR FAN 1
B5	MOTOR, OUTDOOR FAN 2
B10	MOTOR, EXHAUST FAN 1
B11	MOTOR, EXHAUST FAN 2
B13	COMPRESSOR 3
B21	MOTOR, OUTDOOR FAN 3

K3,-1	CONTACTOR, BLOWER
K10,-1,2	RELAY, OUTDOOR FAN
K14,-1	CONTACTOR, COMPRESSOR 3
K65,-1,2	RELAY, EXHAUST FAN 1
K66,-1	RELAY, STAGE COOL, 1
K67,-1	RELAY, STAGE COOL, 2
K68,-1,2	RELAY, OUTDOOR FAN 2&3
K150,-1,2	RELAY, OUTDOOR FAN 4
K152,-1,2	RELAY, OUTDOOR FAN 5&6
K220,-1	RELAY, OVERFLOW SWITCH
S4	SWITCH, LIMIT HI PRESS COMP 1 (MANUAL RESET)
S7	SWITCH, LIMIT HI PRESS COMP 2
S11	SWITCH, LOW PRESS, LOW AMBIENT KIT COMP 1
S28	SWITCH, LIMIT HI PRESS COMP 3



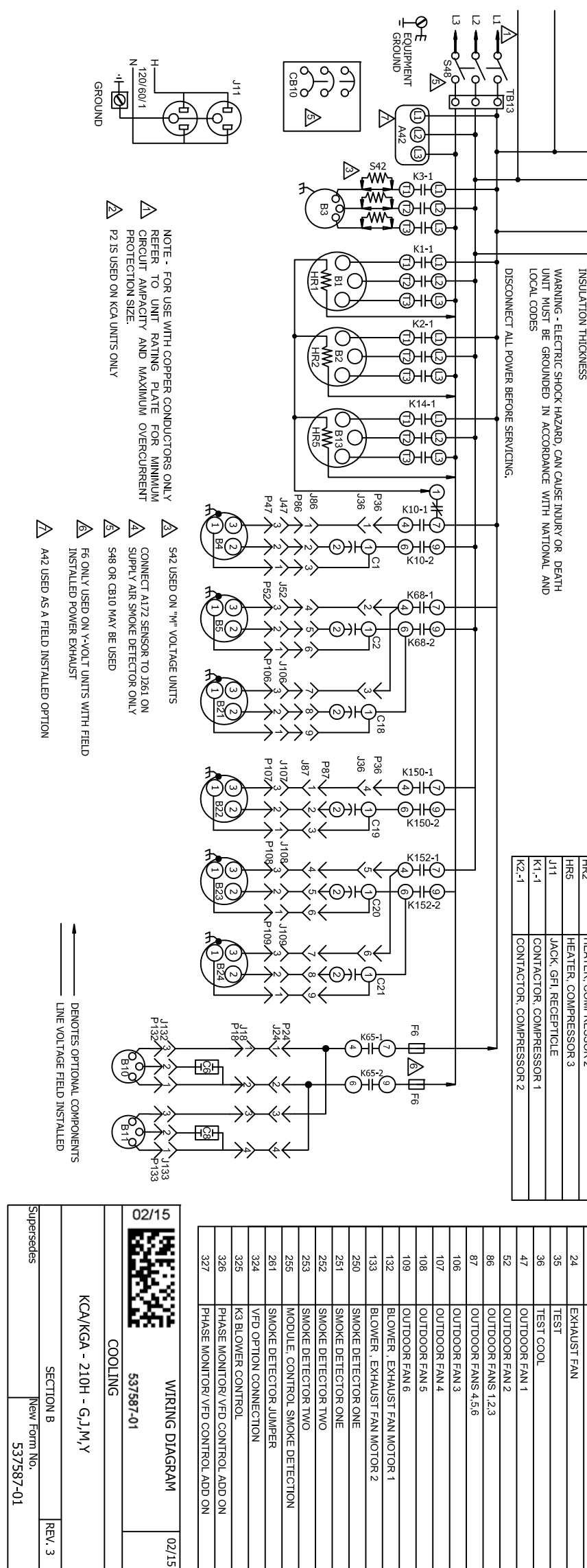
B22	MOTOR, OUTDOOR FAN 4
B23	MOTOR, OUTDOOR FAN 5

S42	SWITCH, OVERLOAD RELAY BLOWER MOTOR
S48	SWITCH, DISCONNECT
S49	SWITCH, FREEZE/STAT COMP 1
S50	SWITCH, FREEZE/STAT COMP 2
S33	SWITCH, FREEZE/STAT COMP 3
S94	SWITCH, LOW PRESS, LOW AMBIENT KIT COMP 2
S85	SWITCH, LOW PRESS, LOW AMBIENT KIT COMP 3
S149	SWITCH, OVERFLOW
T1	TRANSFORMER, CONTROL
T18	TRANSFORMER, CONTACTOR CONTROL
TB13	TERMINAL STRIP, POWER DISTRIBUTION



B24	MOTOR, OUTDOOR FAN 6
C1	CAPACITOR, OUTDOOR FAN 1
C2	CAPACITOR, OUTDOOR FAN 2
C6	CAPACITOR, EXHAUST FAN 1
C8	CAPACITOR, EXHAUST FAN 2
C18	CAPACITOR, OUTDOOR FAN 3
C19	CAPACITOR, OUTDOOR FAN 4
C20	CAPACITOR, OUTDOOR FAN 5
C21	CAPACITOR, OUTDOOR FAN 6
CB8	CIRCUIT, BREAKER T1
CB10	CIRCUIT, BREAKER MAIN DISCONNECT
CB18	CIRCUIT, BREAKER T18
DL46	DELAY OVERFLOW SWITCH
HR1	HEATER, COMPRESSOR 1
HR2	HEATER, COMPRESSOR 2
HR3	HEATER, COMPRESSOR 3
HR5	HEATER, COMPRESSOR 3
J11	JACK, GFI, RECEPTACLE
K1,-1	CONTACTOR, COMPRESSOR 1
K2,-1	CONTACTOR, COMPRESSOR 2

J/P #	JACKPLUG DESCRIPTION
2	HEAT
18	EXHAUST FAN COMP
24	EXHAUST FAN
35	TEST
36	TEST COOL
47	OUTDOOR FAN 1
52	OUTDOOR FAN 2
86	OUTDOOR FANS 1,2,3
87	OUTDOOR FANS 4,5,6
108	OUTDOOR FAN 3
107	OUTDOOR FAN 4
108	OUTDOOR FAN 5
109	OUTDOOR FAN 6
132	BLOWER, EXHAUST FAN MOTOR 1
133	BLOWER, EXHAUST FAN MOTOR 2
250	SMOKE DETECTOR ONE
251	SMOKE DETECTOR ONE
252	SMOKE DETECTOR TWO
253	SMOKE DETECTOR TWO
255	SMOKE DETECTOR TWO
261	SMOKE DETECTOR JUMPER
324	VFD OPTION CONNECTION
325	K3 BLOWER CONTROL
326	PHASE MONITOR/ VFD CONTROL ADD ON
327	PHASE MONITOR/ VFD CONTROL ADD ON



B24	MOTOR, OUTDOOR FAN 6
C1	CAPACITOR, OUTDOOR FAN 1
C2	CAPACITOR, OUTDOOR FAN 2
C6	CAPACITOR, EXHAUST FAN 1
C8	CAPACITOR, EXHAUST FAN 2
C18	CAPACITOR, OUTDOOR FAN 3
C19	CAPACITOR, OUTDOOR FAN 4
C20	CAPACITOR, OUTDOOR FAN 5
C21	CAPACITOR, OUTDOOR FAN 6
CB8	CIRCUIT, BREAKER T1
CB10	CIRCUIT, BREAKER MAIN DISCONNECT
CB18	CIRCUIT, BREAKER T18
DL46	DELAY OVERFLOW SWITCH
HR1	HEATER, COMPRESSOR 1
HR2	HEATER, COMPRESSOR 2
HR3	HEATER, COMPRESSOR 3
HR5	HEATER, COMPRESSOR 3
J11	JACK, GFI, RECEPTACLE
K1,-1	CONTACTOR, COMPRESSOR 1
K2,-1	CONTACTOR, COMPRESSOR 2

J/P #	JACKPLUG DESCRIPTION
2	HEAT
18	EXHAUST FAN COMP
24	EXHAUST FAN
35	TEST
36	TEST COOL
47	OUTDOOR FAN 1
52	OUTDOOR FAN 2
86	OUTDOOR FANS 1,2,3
87	OUTDOOR FANS 4,5,6
108	OUTDOOR FAN 3
107	OUTDOOR FAN 4
108	OUTDOOR FAN 5
109	OUTDOOR FAN 6
132	BLOWER, EXHAUST FAN MOTOR 1
133	BLOWER, EXHAUST FAN MOTOR 2
250	SMOKE DETECTOR ONE
251	SMOKE DETECTOR ONE
252	SMOKE DETECTOR TWO
253	SMOKE DETECTOR TWO
255	SMOKE DETECTOR TWO
261	SMOKE DETECTOR JUMPER
324	VFD OPTION CONNECTION
325	K3 BLOWER CONTROL
326	PHASE MONITOR/ VFD CONTROL ADD ON
327	PHASE MONITOR/ VFD CONTROL ADD ON

02/15

WIRING DIAGRAM

02/15

COOLING

537587-01

KCA/KGA - 210H - G,J,M,Y

SECTION B

New Form No. 537587-01

REV. 3

Supersedes

NOTE - FOR USE WITH COPPER CONDUCTORS ONLY
REFER TO UNIT RATING PLATE FOR MINIMUM
CIRCUIT AMPACITY AND MAXIMUM OVERCURRENT
PROTECTION SIZE.

NOTE - IF ANY WIRE IN THIS APPLIANCE IS REPLACED IT MUST BE
REPLACED WITH WIRE OF LIKE SIZE, RATING, TERMINATION AND
INSULATION THICKNESS.

WARNING - ELECTRIC SHOCK HAZARD, CAN CAUSE INJURY OR DEATH
UNIT MUST BE GROUNDED IN ACCORDANCE WITH NATIONAL AND
LOCAL CODES.

DISCONNECT ALL POWER BEFORE SERVICING.

NOTE - IF ANY WIRE IN THIS APPLIANCE IS REPLACED IT MUST BE
REPLACED WITH WIRE OF LIKE SIZE, RATING, TERMINATION AND
INSULATION THICKNESS.

WARNING - ELECTRIC SHOCK HAZARD, CAN CAUSE INJURY OR DEATH
UNIT MUST BE GROUNDED IN ACCORDANCE WITH NATIONAL AND
LOCAL CODES.

DISCONNECT ALL POWER BEFORE SERVICING.

NOTE - IF ANY WIRE IN THIS APPLIANCE IS REPLACED IT MUST BE
REPLACED WITH WIRE OF LIKE SIZE, RATING, TERMINATION AND
INSULATION THICKNESS.

WARNING - ELECTRIC SHOCK HAZARD, CAN CAUSE INJURY OR DEATH
UNIT MUST BE GROUNDED IN ACCORDANCE WITH NATIONAL AND
LOCAL CODES.

DISCONNECT ALL POWER BEFORE SERVICING.

NOTE - FOR USE WITH COPPER CONDUCTORS ONLY
REFER TO UNIT RATING PLATE FOR MINIMUM
CIRCUIT AMPACITY AND MAXIMUM OVERCURRENT
PROTECTION SIZE.

NOTE - IF ANY WIRE IN THIS APPLIANCE IS REPLACED IT MUST BE
REPLACED WITH WIRE OF LIKE SIZE, RATING, TERMINATION AND
INSULATION THICKNESS.

WARNING - ELECTRIC SHOCK HAZARD, CAN CAUSE INJURY OR DEATH
UNIT MUST BE GROUNDED IN ACCORDANCE WITH NATIONAL AND
LOCAL CODES.

DISCONNECT ALL POWER BEFORE SERVICING.

NOTE - IF ANY WIRE IN THIS APPLIANCE IS REPLACED IT MUST BE
REPLACED WITH WIRE OF LIKE SIZE, RATING, TERMINATION AND
INSULATION THICKNESS.

WARNING - ELECTRIC SHOCK HAZARD, CAN CAUSE INJURY OR DEATH
UNIT MUST BE GROUNDED IN ACCORDANCE WITH NATIONAL AND
LOCAL CODES.

DISCONNECT ALL POWER BEFORE SERVICING.

NOTE - IF ANY WIRE IN THIS APPLIANCE IS REPLACED IT MUST BE
REPLACED WITH WIRE OF LIKE SIZE, RATING, TERMINATION AND
INSULATION THICKNESS.

WARNING - ELECTRIC SHOCK HAZARD, CAN CAUSE INJURY OR DEATH
UNIT MUST BE GROUNDED IN ACCORDANCE WITH NATIONAL AND
LOCAL CODES.

DISCONNECT ALL POWER BEFORE SERVICING.

NOTE - FOR USE WITH COPPER CONDUCTORS ONLY
REFER TO UNIT RATING PLATE FOR MINIMUM
CIRCUIT AMPACITY AND MAXIMUM OVERCURRENT
PROTECTION SIZE.

NOTE - IF ANY WIRE IN THIS APPLIANCE IS REPLACED IT MUST BE
REPLACED WITH WIRE OF LIKE SIZE, RATING, TERMINATION AND
INSULATION THICKNESS.

WARNING - ELECTRIC SHOCK HAZARD, CAN CAUSE INJURY OR DEATH
UNIT MUST BE GROUNDED IN ACCORDANCE WITH NATIONAL AND
LOCAL CODES.

DISCONNECT ALL POWER BEFORE SERVICING.

NOTE - IF ANY WIRE IN THIS APPLIANCE IS REPLACED IT MUST BE
REPLACED WITH WIRE OF LIKE SIZE, RATING, TERMINATION AND
INSULATION THICKNESS.

WARNING - ELECTRIC SHOCK HAZARD, CAN CAUSE INJURY OR DEATH
UNIT MUST BE GROUNDED IN ACCORDANCE WITH NATIONAL AND
LOCAL CODES.

DISCONNECT ALL POWER BEFORE SERVICING.

NOTE - IF ANY WIRE IN THIS APPLIANCE IS REPLACED IT MUST BE
REPLACED WITH WIRE OF LIKE SIZE, RATING, TERMINATION AND
INSULATION THICKNESS.

WARNING - ELECTRIC SHOCK HAZARD, CAN CAUSE INJURY OR DEATH
UNIT MUST BE GROUNDED IN ACCORDANCE WITH NATIONAL AND
LOCAL CODES.

DISCONNECT ALL POWER BEFORE SERVICING.

NOTE - FOR USE WITH COPPER CONDUCTORS ONLY
REFER TO UNIT RATING PLATE FOR MINIMUM
CIRCUIT AMPACITY AND MAXIMUM OVERCURRENT
PROTECTION SIZE.

NOTE - IF ANY WIRE IN THIS APPLIANCE IS REPLACED IT MUST BE
REPLACED WITH WIRE OF LIKE SIZE, RATING, TERMINATION AND
INSULATION THICKNESS.

WARNING - ELECTRIC SHOCK HAZARD, CAN CAUSE INJURY OR DEATH
UNIT MUST BE GROUNDED IN ACCORDANCE WITH NATIONAL AND
LOCAL CODES.

DISCONNECT ALL POWER BEFORE SERVICING.

NOTE - IF ANY WIRE IN THIS APPLIANCE IS REPLACED IT MUST BE
REPLACED WITH WIRE OF LIKE SIZE, RATING, TERMINATION AND
INSULATION THICKNESS.

WARNING - ELECTRIC SHOCK HAZARD, CAN CAUSE INJURY OR DEATH
UNIT MUST BE GROUNDED IN ACCORDANCE WITH NATIONAL AND
LOCAL CODES.

DISCONNECT ALL POWER BEFORE SERVICING.

NOTE - IF ANY WIRE IN THIS APPLIANCE IS REPLACED IT MUST BE
REPLACED WITH WIRE OF LIKE SIZE, RATING, TERMINATION AND
INSULATION THICKNESS.

WARNING - ELECTRIC SHOCK HAZARD, CAN CAUSE INJURY OR DEATH
UNIT MUST BE GROUNDED IN ACCORDANCE WITH NATIONAL AND
LOCAL CODES.

DISCONNECT ALL POWER BEFORE SERVICING.