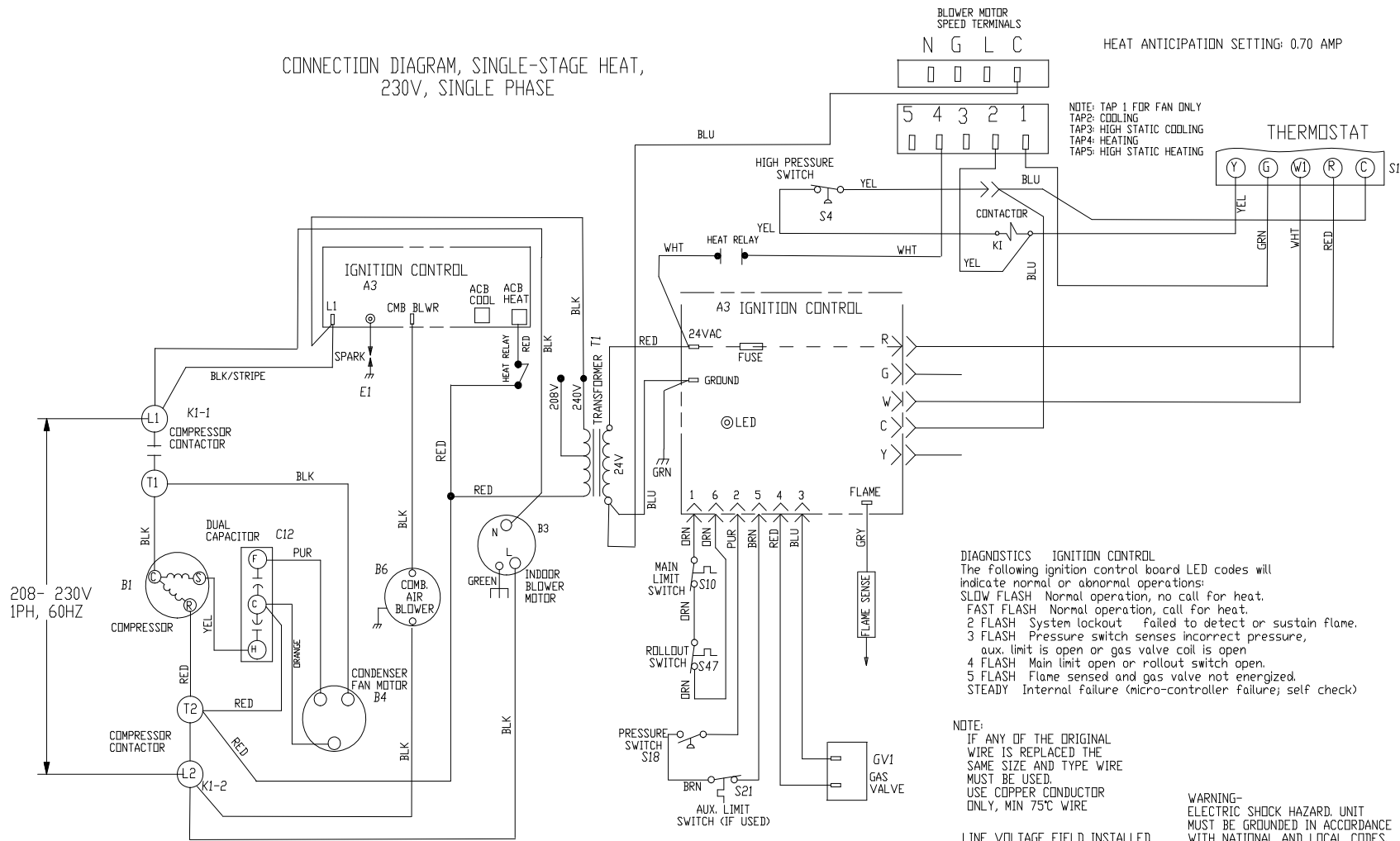


CONNECTION DIAGRAM, SINGLE-STAGE HEAT, 230V, SINGLE PHASE



HEAT ANTICIPATION SETTING: 0.70 AMP

NOTE: TAP 1 FOR FAN ONLY
TAP2: COOLING
TAP3: HIGH STATIC COOLING
TAP4: HEATING
TAP5: HIGH STATIC HEATING

DIAGNOSTICS IGNITION CONTROL
The following ignition control board LED codes will indicate normal or abnormal operations:
SLOW FLASH Normal operation, no call for heat.
FAST FLASH Normal operation, call for heat.
2 FLASH System lockout failed to detect or sustain flame.
3 FLASH Pressure switch senses incorrect pressure, aux. limit is open or gas valve coil is open
4 FLASH Main limit open or rollout switch open.
5 FLASH Flame sensed and gas valve not energized.
STEADY Internal failure (micro-controller failure); self check)

NOTE:
IF ANY OF THE ORIGINAL WIRE IS REPLACED THE SAME SIZE AND TYPE WIRE MUST BE USED.
USE COPPER CONDUCTOR ONLY, MIN 75°C WIRE

WARNING-
ELECTRIC SHOCK HAZARD. UNIT MUST BE GROUNDED IN ACCORDANCE WITH NATIONAL AND LOCAL CODES.

LINE VOLTAGE FIELD INSTALLED