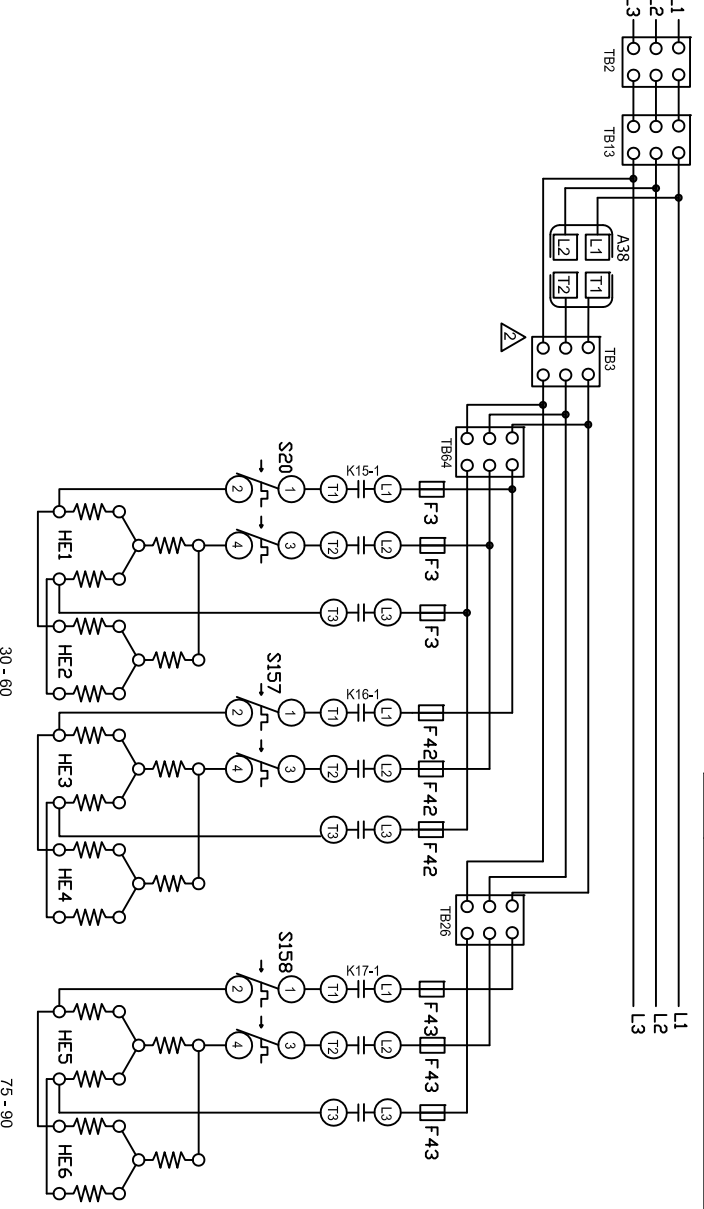
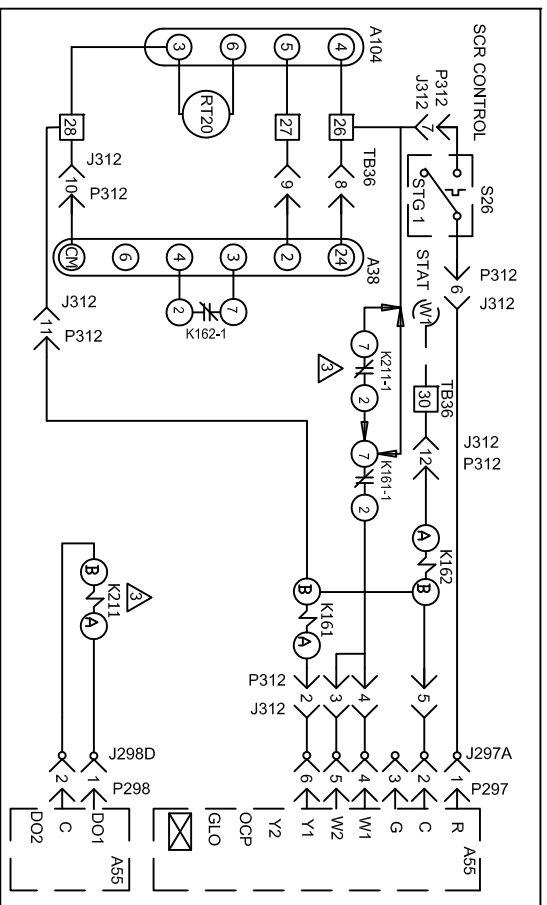


KW	HE1	HE2	HE3	HE4	HE5	HE6
30	15	15				
45	15	15	15			
60	15	15	15	15		
75	15	15	15	15	15	
90	15	15	15	15	15	15

JIP	JACK/PLUG DESCRIPTION
2	ELECTRIC HEAT
266	HEATING CONTROL
271	HEATING SENSORS STG 1
272	HEATING SENSORS STG 2
298	IAQ INTERFACE
312	SCR CONTROL



KEY	DESCRIPTION
A38	CONTROL, SCR ELECTRIC HEAT
A55	PANEL, MAIN BOARD LENNOX
A104	THERMOSTAT SUPPLY AIR
F3	FUSE, ELECTRIC HEAT 1, 2
F42	FUSE, ELECTRIC HEAT 3, 4
F43	FUSE, ELECTRIC HEAT 5, 6
HE1	ELEMENT, ELECTRIC HEAT 1
HE2	ELEMENT, ELECTRIC HEAT 2
HE3	ELEMENT, ELECTRIC HEAT 3
HE4	ELEMENT, ELECTRIC HEAT 4
HE5	ELEMENT, ELECTRIC HEAT 5
HE6	ELEMENT, ELECTRIC HEAT 6
K9, -1	RELAY, HEAT
K15, -1	CONTACTOR, ELECTRIC HEAT 1
K16, -1	CONTACTOR, ELECTRIC HEAT 2
K17, -1	CONTACTOR, ELECTRIC HEAT 3
K161	RELAY, SCR INTERRUPT
K162	RELAY, SCR HIGH OUTPUT
K211	RELAY, HEAT LOCK OUT
R170	SENSOR, DISCHARGE, SCR
S15	SWITCH, LIMIT PRIMARY ELECTRIC HEAT
S20	SWITCH, LIMIT SECONDARY ELECTRIC HEAT
S26	THERMOSTAT, AMBIENT
S157	SWITCH, LIMIT SECONDARY ELECTRIC HEAT 2
S158	SWITCH, LIMIT SECONDARY ELECTRIC HEAT 3
TB2	TERMINAL STRIP, UNIT
TB3	TERMINAL STRIP, ELECTRIC HEAT CIRCUIT
TB13	TERMINAL STRIP, POWER DISTRIBUTION
TB26	TERMINAL STRIP, ELECTRIC HEAT CIRCUIT 2
TB36	TERMINAL STRIP, SCR
TB64	TERMINAL STRIP, ELECTRIC HEAT CIRCUIT 1

▲ NOT USED ON 30 - 60KW UNITS
 ▲ TB3 IS USED IN SOME UNITS
 ▲ K211 USED WITH HUMIDITROL CONTROL

▲ DENOTES OPTIONAL COMPONENTS

DESIGNATION	VOLTAGE
Y	208-230/60/3
G	460/60/3
J	575/60/3
M	380-420/50/3



WIRING DIAGRAM

537598-02

07/15

HEATING - SCR
 SCR ELECTRIC HEAT CONTROL - STAND ALONE
 EIEH - 30,45,60,75,90 - G,J

SECTION A

Supersedes 537598-01 New Form No. 537598-02

Cut size: 12-1/2" wide X 10-1/2" tall