

BLOWER SPEED CHART

UNIT	FACTORY CONNECTED SPEED TAPS					
	COOL	HEAT	FAN	PARK		
045(X)E36A	BLACK	BLUE	RED	BROWN, YELLOW		
070(X)E36B						
090(X)E48B						
090E60C	BROWN	BLUE	RED	BLACK, YELLOW		
110(X)E60C						
135E60D	BLOWER SPEED SELECTION					
SPEED TAPS		BLACK	BROWN	BLUE	YELLOW	RED

JACK/PLUG CHART

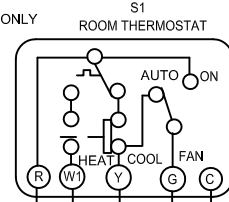
J.P48	JACK/PLUG-INDOOR BLOWER-POWER
J.P49	JACK/PLUG-INDOOR BLOWER-SPD TAP
J.P58	JACK/PLUG-BURNER CONTROL
J.P84	JACK/PLUG-COMB AIR INDUCER
J.P135	JACK/PLUG-SECONDARY LIMIT (S)
J.P156	JACK/PLUG-INDUCER/IGNITER
J.P159	JACK/PLUG-IGNITION

NOTE-
IF ANY WIRE IN THIS APPLIANCE IS REPLACED, IT MUST BE REPLACED WITH WIRE OF LIKE SIZE, RATING, INSULATION THICKNESS AND TERMINATION.

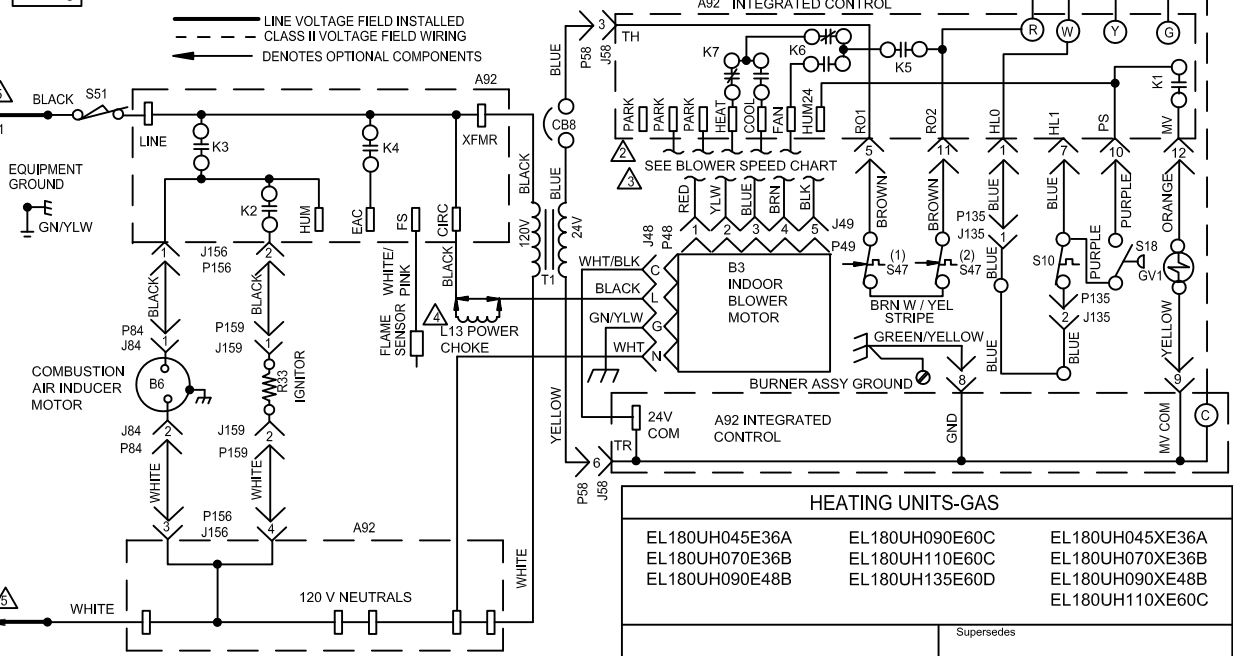
- ⚠ 'R' REQUIRED ON SOME OUTDOOR UNITS
- ⚠ PARK TERMINALS ARE UNPOWERED TERMINALS. ALL UNUSED MOTOR LEADS MUST BE WIRED TO A PARK TERMINAL.
- ⚠ DO NOT USE RED (LOW SPEED) MOTOR LEAD FOR HEATING SPEED ON 045(X)E36A, 070(X)E36B, 110(X)E60C AND 135E60D UNITS. RESULTING TEMPERATURE RISE WILL BE OUTSIDE OF RISE RANGE.
- ⚠ L13 POWER CHOKE USED ON 1/2 AND 1 HP ONLY
- ⚠ USE COPPER CONDUCTORS ONLY.

THERMOSTAT HEAT ANTICIPATION SETTINGS

.65 AMP	HONEYWELL VALVE
.50 AMP	WHITE-RODGERS VALVE



A92 INTEGRATED CONTROL



HEATING UNITS-GAS

EL180UH045E36A	EL180UH090E60C	EL180UH045XE36A
EL180UH070E36B	EL180UH110E60C	EL180UH070XE36B
EL180UH090E48B	EL180UH135E60D	EL180UH090XE48B
		EL180UH110XE60C

Supersedes

WARNING-
ELECTRIC SHOCK HAZARD, CAN CAUSE INJURY OR DEATH. UNIT MUST BE GROUNDED IN ACCORDANCE WITH NATIONAL AND LOCAL CODES.

1214



Form No.
537599-01