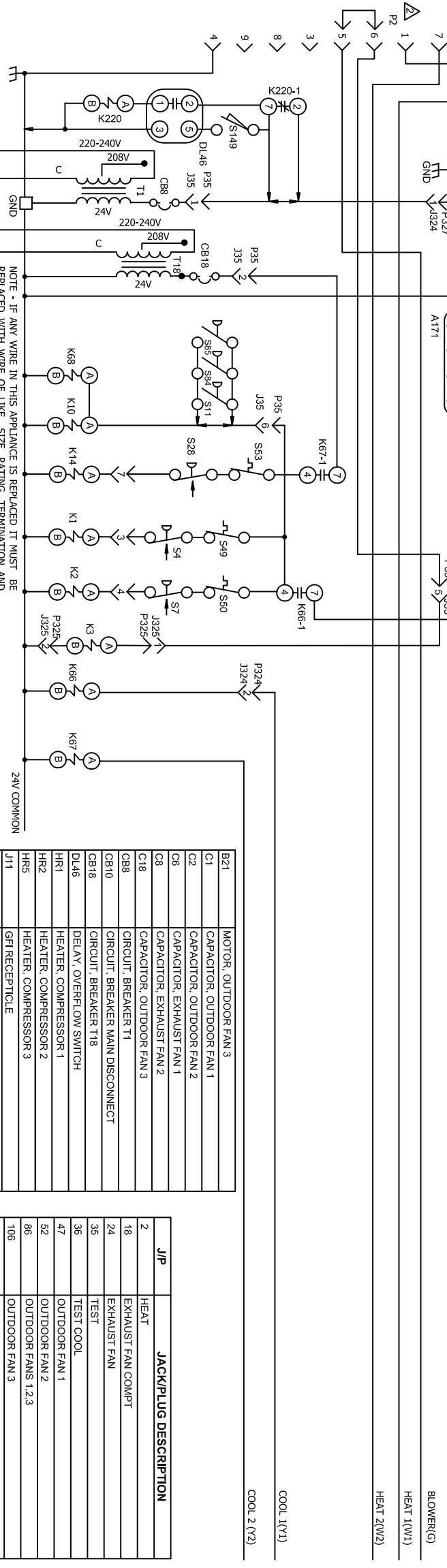


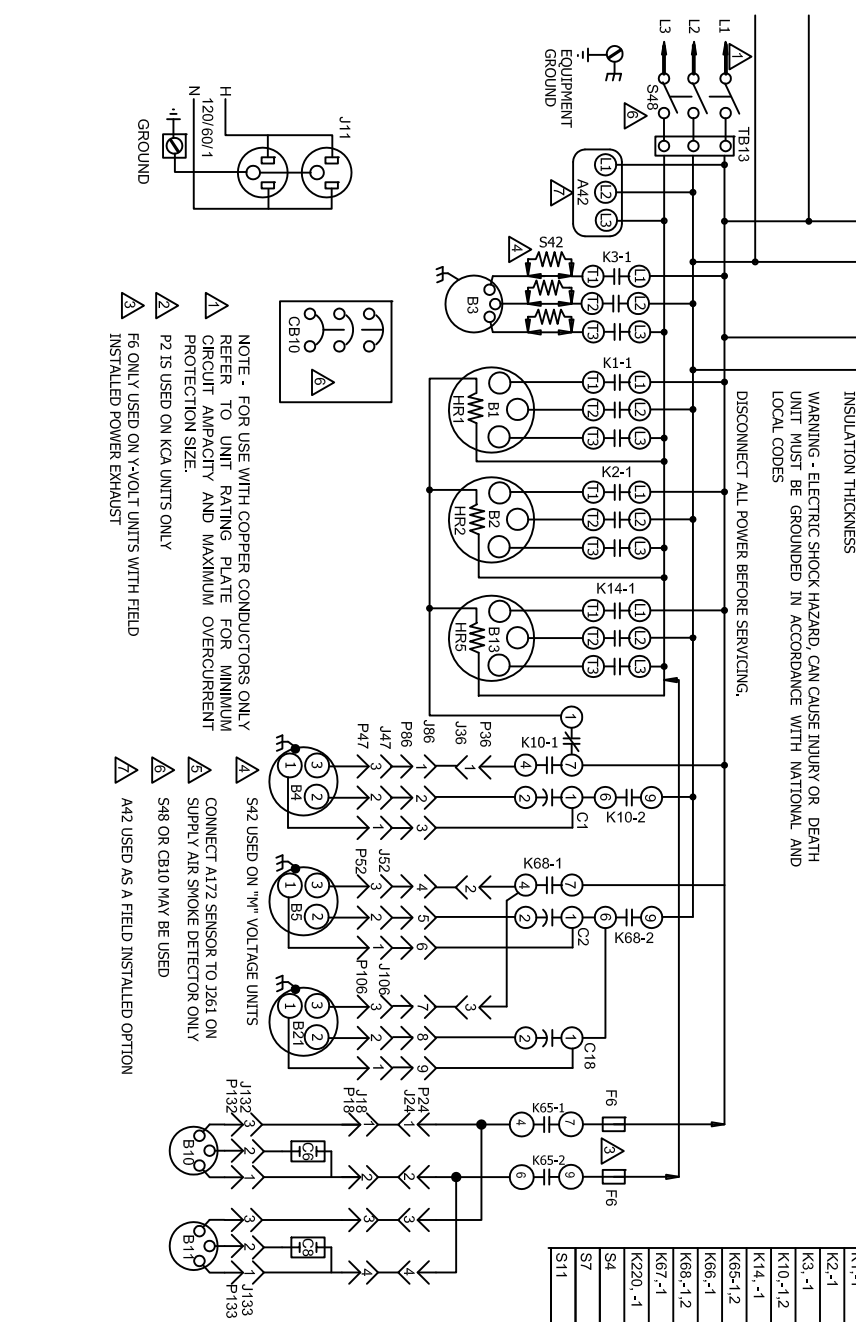
KEY	COMPONENT DESCRIPTION
A42	MONITOR, PHASE DETECTION
A171	SENSOR ONE, SMOKE, RETURN AIR
A172	SENSOR TWO, SMOKE, SUPPLY AIR
A173	MODULE, CONTROL SMOKE DETECTION
B1	COMPRESSOR 1
B2	COMPRESSOR 2
B3	MOTOR, BLOWER
B4	MOTOR, OUTDOOR FAN 1
B5	MOTOR, OUTDOOR FAN 2
B10	MOTOR, EXHAUST FAN 1
B11	MOTOR, EXHAUST FAN 2
B13	COMPRESSOR 3

S28	SWITCH, LIMIT HI PRESS COMP 3
S42	SWITCH, OVERLOAD RELAY BLOWER MOTOR
S48	SWITCH, DISCONNECT
S49	SWITCH, FREEZESTAT COMP 1
S50	SWITCH, FREEZESTAT COMP 2
S33	SWITCH, FREEZESTAT COMP 3
S94	SWITCH, LOW PRESS, LOW AMBIENT KIT COMP 2
S85	SWITCH, LOW PRESS, LOW AMBIENT KIT COMP 3
S149	SWITCH, OVERFLOW
T1	TRANSFORMER, CONTROL
T18	TRANSFORMER, CONTACTOR CONTROL
TB13	TERMINAL STRIP, POWER DISTRIBUTION



B21	MOTOR, OUTDOOR FAN 3
C1	CAPACITOR, OUTDOOR FAN 1
C2	CAPACITOR, OUTDOOR FAN 2
C6	CAPACITOR, EXHAUST FAN 1
C8	CAPACITOR, EXHAUST FAN 2
C18	CAPACITOR, OUTDOOR FAN 3
CB8	CIRCUIT, BREAKER T1
CB10	CIRCUIT, BREAKER MAIN DISCONNECT
CB18	CIRCUIT, BREAKER T18
DL46	DELAY, OVERFLOW SWITCH
HR1	HEATER, COMPRESSOR 1
HR2	HEATER, COMPRESSOR 2
HR5	HEATER, COMPRESSOR 3
J11	GFI RECEPTACLE
K1-1	CONTACTOR, COMPRESSOR 1
K2-1	CONTACTOR, COMPRESSOR 2
K3-1	CONTACTOR, BLOWER
K10-1,2	RELAY, OUTDOOR FAN
K14-1	CONTACTOR, COMPRESSOR 3
K65-1,2	RELAY, EXHAUST FAN 1
K66-1	RELAY, STAGE COOL 1
K68-1,2	RELAY, OUTDOOR FAN 2 & 3
K67-1	RELAY, STAGE COOL 2
K220-1	RELAY, OVERFLOW SWITCH
S4	SWITCH, LIMIT HI PRESS COMP 1 (MANUAL RESET)
S7	SWITCH, LIMIT HI PRESS COMP 2
S11	SWITCH, LOW PRESS, LOW AMBIENT KIT COMP 1

J/P	JACKPLUG DESCRIPTION
2	HEAT
18	EXHAUST FAN COMPT
24	EXHAUST FAN
35	TEST
36	TEST COOL
47	OUTDOOR FAN 1
52	OUTDOOR FAN 2
86	OUTDOOR FANS 1,2,3
106	OUTDOOR FAN 3
132	BLOWER, EXHAUST FAN MOTOR 1
133	BLOWER, EXHAUST FAN MOTOR 2
250	SMOKE DETECTOR ONE
251	SMOKE DETECTOR ONE
252	SMOKE DETECTOR TWO
253	SMOKE DETECTOR TWO
255	MODULE, CONTROL SMOKE DETECTION
261	SMOKE DETECTOR JUMPER
324	VFD OPTION CONNECTION
325	K3 BLOWER CONTROL
326	PHASE MONITOR/VFD CONTROL ADD ON
327	PHASE MONITOR/VFD CONTROL ADD ON



DISCONNECT ALL POWER BEFORE SERVICING.

WARNING - ELECTRIC SHOCK HAZARD, CAN CAUSE INJURY OR DEATH. UNIT MUST BE GROUNDED IN ACCORDANCE WITH NATIONAL AND LOCAL CODES.

NOTE - IF ANY WIRE IN THIS APPLIANCE IS REPLACED IT MUST BE REPLACED WITH WIRE OF LIKE SIZE, RATING, TERMINATION AND INSULATION THICKNESS.

NOTE - FOR USE WITH COPPER CONDUCTORS ONLY. REFER TO UNIT RATING PLATE FOR MINIMUM CIRCUIT AMPACITY AND MAXIMUM OVERCURRENT PROTECTION SIZE.

P2 J5 USED ON KCA UNITS ONLY.

F6 ONLY USED ON "X"OLT UNITS WITH FIELD INSTALLED POWER EXHAUST.

AA2 USED AS A FIELD INSTALLED OPTION.

SA42 USED ON "M" VOLTAGE UNITS.

CONNECT A172 SENSOR TO J261 ON SUPPLY AIR SMOKE DETECTOR ONLY.

SA8 OR CB10 MAY BE USED.

AA2 USED AS A FIELD INSTALLED OPTION.

DENOTES OPTIONAL COMPONENTS

LINE VOLTAGE FIELD INSTALLED

10/14

WIRING DIAGRAM 10/14

537603-01

COOLING

KCA/KGA - 210S, 156H - G,J,M,Y

SECTION B

Supersedes 537083-03

New Form No. 537603-01

REV 2