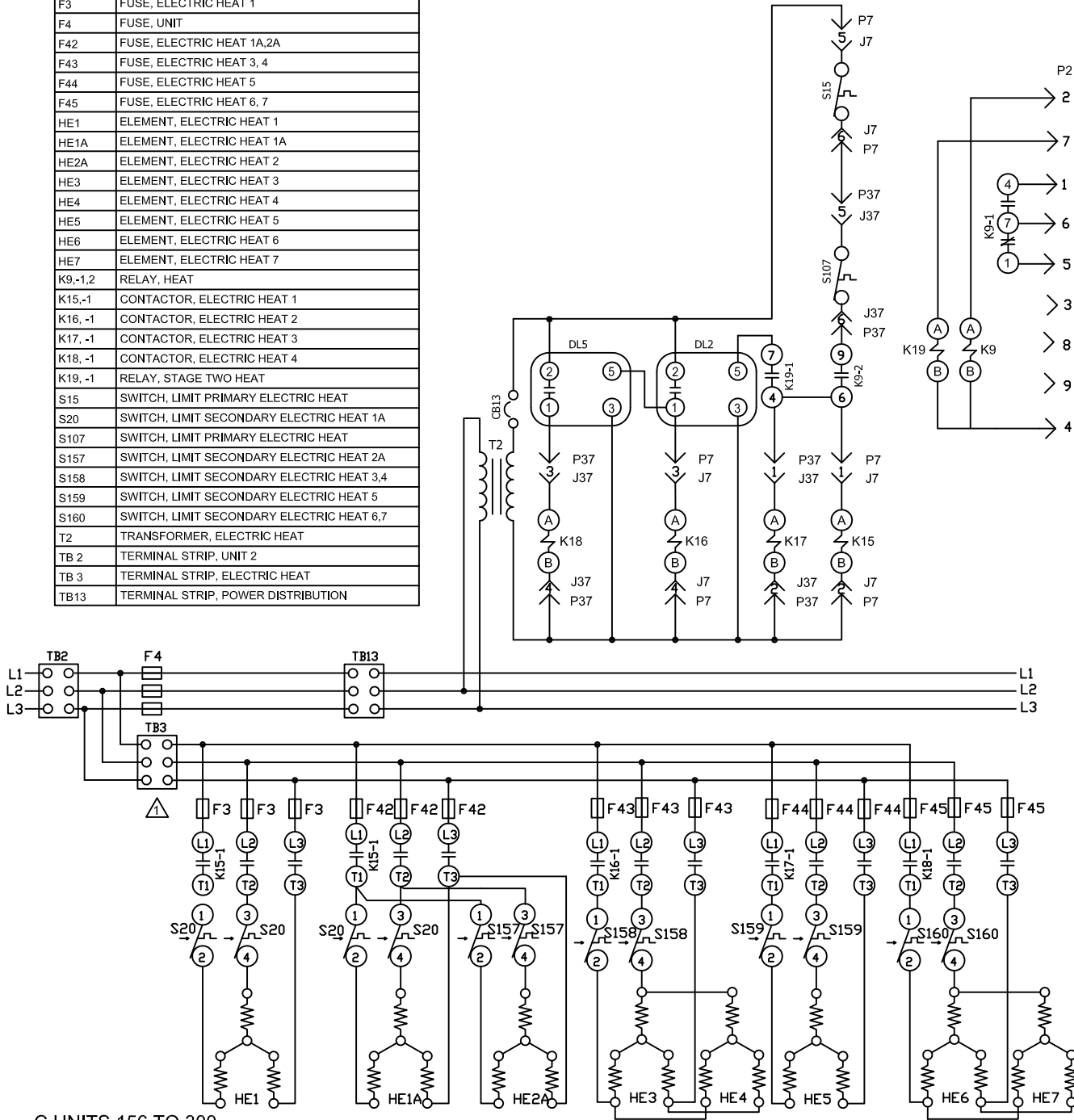


KEY	COMPONENT
CB13	CIRCUIT, BREAKER TRNAS T2
DL2	DELAY, ELECTRIC HEAT
DL5	DELAY, ELECTRIC HEAT
F3	FUSE, ELECTRIC HEAT 1
F4	FUSE, UNIT
F42	FUSE, ELECTRIC HEAT 1A,2A
F43	FUSE, ELECTRIC HEAT 3, 4
F44	FUSE, ELECTRIC HEAT 5
F45	FUSE, ELECTRIC HEAT 6, 7
HE1	ELEMENT, ELECTRIC HEAT 1
HE1A	ELEMENT, ELECTRIC HEAT 1A
HE2A	ELEMENT, ELECTRIC HEAT 2
HE3	ELEMENT, ELECTRIC HEAT 3
HE4	ELEMENT, ELECTRIC HEAT 4
HE5	ELEMENT, ELECTRIC HEAT 5
HE6	ELEMENT, ELECTRIC HEAT 6
HE7	ELEMENT, ELECTRIC HEAT 7
K9,-1,2	RELAY, HEAT
K15,-1	CONTACTOR, ELECTRIC HEAT 1
K16,-1	CONTACTOR, ELECTRIC HEAT 2
K17,-1	CONTACTOR, ELECTRIC HEAT 3
K18,-1	CONTACTOR, ELECTRIC HEAT 4
K19,-1	RELAY, STAGE TWO HEAT
S15	SWITCH, LIMIT PRIMARY ELECTRIC HEAT
S20	SWITCH, LIMIT SECONDARY ELECTRIC HEAT 1A
S107	SWITCH, LIMIT PRIMARY ELECTRIC HEAT
S157	SWITCH, LIMIT SECONDARY ELECTRIC HEAT 2A
S158	SWITCH, LIMIT SECONDARY ELECTRIC HEAT 3,4
S159	SWITCH, LIMIT SECONDARY ELECTRIC HEAT 5
S160	SWITCH, LIMIT SECONDARY ELECTRIC HEAT 6,7
T2	TRANSFORMER, ELECTRIC HEAT
TB 2	TERMINAL STRIP, UNIT 2
TB 3	TERMINAL STRIP, ELECTRIC HEAT
TB13	TERMINAL STRIP, POWER DISTRIBUTION

KEY	COMPONENT
2	PLUG, HEAT
7	PLUG, ELECTRIC HEAT SUB BASE KIT
37	PLUG, ELECTRIC HEAT LIMIT



C UNITS 156 TO 300

KW	HE1	HE1A	HE2A	HE3	HE4	HE5	HE6	HE7
15		7.5	7.5					
30		15	15					
45	15			7.5		15	7.5	
60	15			15		15	15	
90	15			15	15	15	15	15

⚠ TB3 IS USED IN SOME UNITS

11/14		WIRING DIAGRAM	11/14
		537609-01	
HEATING			
EHA - 15,30,45,60,90 - G,J			
SECTION A			REV 0
Supersedes		New Form No. 537609-01	