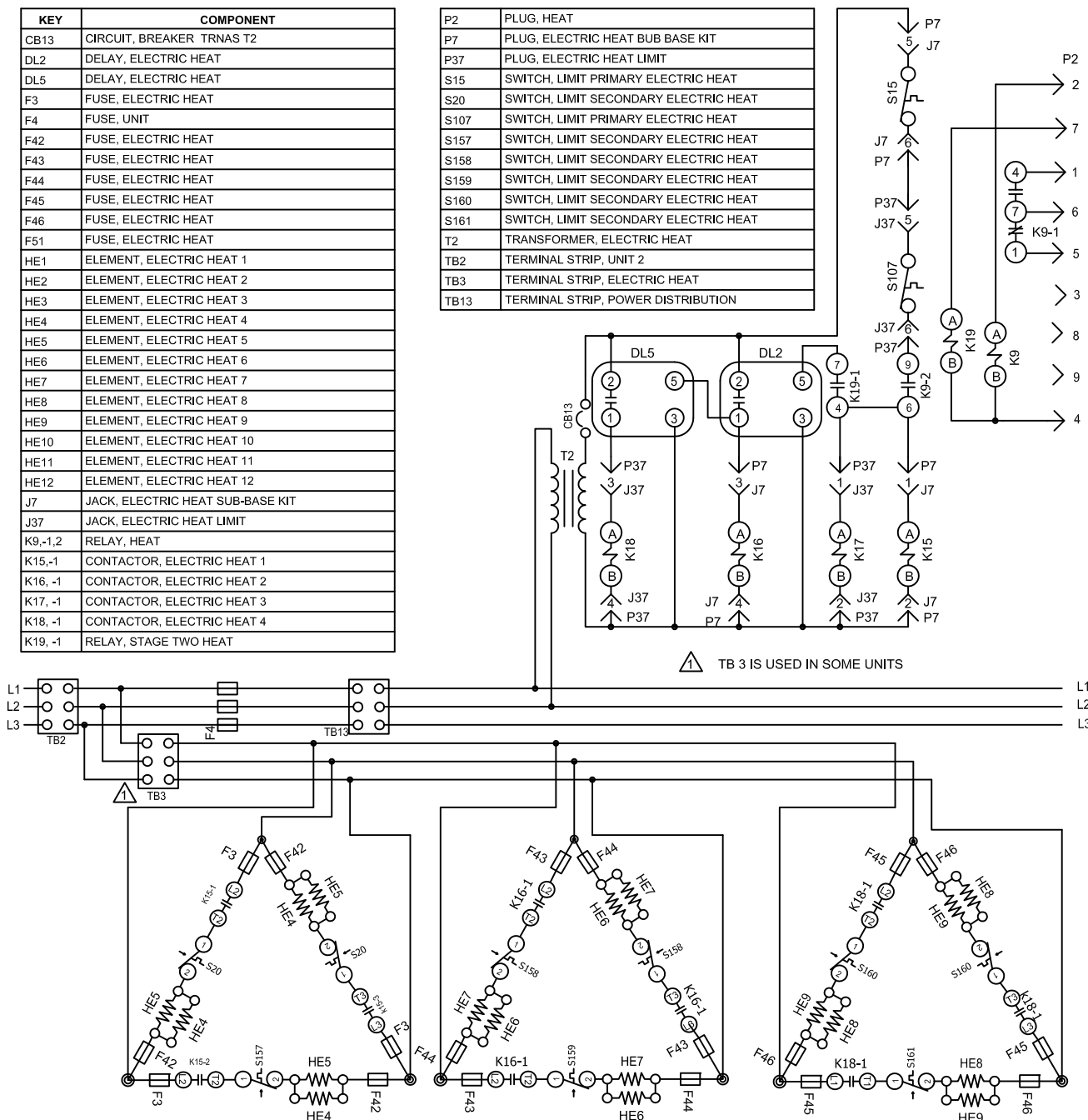


KEY	COMPONENT
CB13	CIRCUIT, BREAKER TRNAS T2
DL2	DELAY, ELECTRIC HEAT
DL5	DELAY, ELECTRIC HEAT
F3	FUSE, ELECTRIC HEAT
F4	FUSE, UNIT
F42	FUSE, ELECTRIC HEAT
F43	FUSE, ELECTRIC HEAT
F44	FUSE, ELECTRIC HEAT
F45	FUSE, ELECTRIC HEAT
F46	FUSE, ELECTRIC HEAT
F51	FUSE, ELECTRIC HEAT
HE1	ELEMENT, ELECTRIC HEAT 1
HE2	ELEMENT, ELECTRIC HEAT 2
HE3	ELEMENT, ELECTRIC HEAT 3
HE4	ELEMENT, ELECTRIC HEAT 4
HE5	ELEMENT, ELECTRIC HEAT 5
HE6	ELEMENT, ELECTRIC HEAT 6
HE7	ELEMENT, ELECTRIC HEAT 7
HE8	ELEMENT, ELECTRIC HEAT 8
HE9	ELEMENT, ELECTRIC HEAT 9
HE10	ELEMENT, ELECTRIC HEAT 10
HE11	ELEMENT, ELECTRIC HEAT 11
HE12	ELEMENT, ELECTRIC HEAT 12
J7	JACK, ELECTRIC HEAT SUB-BASE KIT
J37	JACK, ELECTRIC HEAT LIMIT
K9-1,2	RELAY, HEAT
K15-1	CONTACTOR, ELECTRIC HEAT 1
K16-1	CONTACTOR, ELECTRIC HEAT 2
K17-1	CONTACTOR, ELECTRIC HEAT 3
K18-1	CONTACTOR, ELECTRIC HEAT 4
K19-1	RELAY, STAGE TWO HEAT

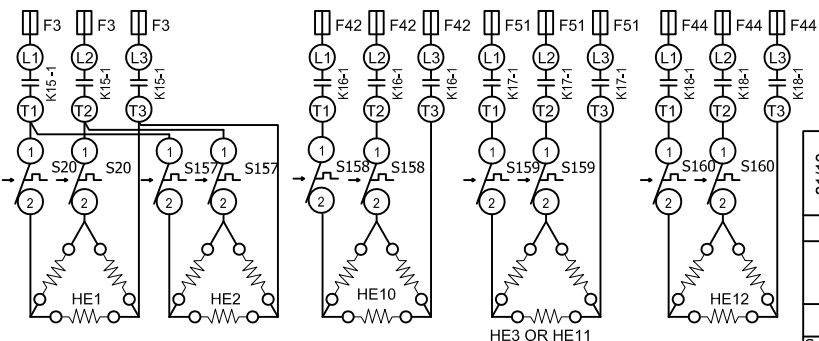
P2	PLUG, HEAT
P7	PLUG, ELECTRIC HEAT BUB BASE KIT
P37	PLUG, ELECTRIC HEAT LIMIT
S15	SWITCH, LIMIT PRIMARY ELECTRIC HEAT
S20	SWITCH, LIMIT SECONDARY ELECTRIC HEAT
S107	SWITCH, LIMIT PRIMARY ELECTRIC HEAT
S157	SWITCH, LIMIT SECONDARY ELECTRIC HEAT
S158	SWITCH, LIMIT SECONDARY ELECTRIC HEAT
S159	SWITCH, LIMIT SECONDARY ELECTRIC HEAT
S160	SWITCH, LIMIT SECONDARY ELECTRIC HEAT
S161	SWITCH, LIMIT SECONDARY ELECTRIC HEAT
T2	TRANSFORMER, ELECTRIC HEAT
TB2	TERMINAL STRIP, UNIT 2
TB3	TERMINAL STRIP, ELECTRIC HEAT
TB13	TERMINAL STRIP, POWER DISTRIBUTION



⚠ TB 3 IS USED IN SOME UNITS

C UNITS 156 TO 300

KW	HE1	HE2	HE3	HE4	HE5	HE6	HE7	HE8	HE9	HE10	HE11	HE12
15	7.5	7.5										
30				15	15							
45	15									7.5	15	7.5
60	15									15	15	15
90	15		15			15	15	15	15			



01/13		WIRING DIAGRAM	01/13
537610-01			
HEATING			
EHA - 15,30,45,60,90 - Y FOR USE WITH KCA/KHA UNITS			
SECTION B			REV. 0
Supersedes		Form No. 537610-01	