

J/P	JACK/PLUG DESCRIPTION
2	HEAT
18	EXHAUST FAN COMPT
24	EXHAUST FAN
35	TEST
36	TEST COOL
47	OUTDOOR FAN 1
52	OUTDOOR FAN 2
86	OUTDOOR FANS 1,2
87	OUTDOOR FANS 3,4
106	OUTDOOR FAN 3
107	OUTDOOR FAN 4
132	EXHAUST FAN MOTOR 1
133	EXHAUST FAN MOTOR 2
246	POWER TO VFD
247	POWER VFD TO MOTOR
248	VFD CONTROL
249	CONTRACTOR BYPASS
250	SMOKE DETECTOR ONE
251	SMOKE DETECTOR ONE
252	SMOKE DETECTOR TWO
253	SMOKE DETECTOR TWO
255	MODULE CONTROL SMOKE DETECTION
324	VFD OPTION CONNECTION
325	K3 BLOWER CONTROL
328	VFD CONTROL ADD-ON
P327	VFD CONTROL ADD-ON
P328	VFD BLOWER CONTROL

KEY	COMPONENT
A42	MONITOR, PHASE PROTECTION
A96	CONTROL INVERTER
A171	SENSOR ONE, SMOKE, RETURN AIR
A172	SENSOR TWO, SMOKE, SUPPLY AIR
A173	MODULE CONTROL SMOKE DETECTION
A183	CONTROL, VFD BOARD
B1	COMPRESSOR 1
B2	COMPRESSOR 2
B3	MOTOR, BLOWER
B4	MOTOR, OUTDOOR FAN 1
B5	MOTOR, OUTDOOR FAN 2
B10	MOTOR, EXHAUST FAN 1
B11	MOTOR, EXHAUST FAN 2
B21	MOTOR, OUTDOOR FAN 3
B22	MOTOR, OUTDOOR FAN 4
C1	CAPACITOR, OUTDOOR FAN 1
C2	CAPACITOR, OUTDOOR FAN 2
C6	CAPACITOR, EXHAUST FAN 1
C8	CAPACITOR, EXHAUST FAN 2
C18	CAPACITOR, OUTDOOR FAN 3
C19	CAPACITOR, OUTDOOR FAN 4
C88	CIRCUIT BREAKER T1
CB10	CIRCUIT BREAKER MAIN DISCONNECT
CB18	CIRCUIT BREAKER T18
CMC1	TIMER, DEFROST, COMPRESSOR 1
CMC2	TIMER, DEFROST, COMPRESSOR 2
DL46	DELAY, OVERFLOW SWITCH
F6	FUSE, EXHAUST FAN
H2	HEADER 2, LVCT
HR1	HEATER, COMPRESSOR 1
HR2	HEATER, COMPRESSOR 2
J11	JACK, GH, RECEPTACLE
J281	JACK, SMOKE DETECTOR JUMPER
K1-1	CONTACTOR, COMPRESSOR 1
K2-1	CONTACTOR, COMPRESSOR 2
K3-1	CONTACTOR, BLOWER
K8-1, 2, 3	RELAY, TRANSFER 1
K10-1,2	RELAY, OUTDOOR FAN
K58-1	RELAY, LOW AMBIENT KIT COMP 1
K65-1, 2	RELAY, EXHAUST FAN 1
K118-1	RELAY, LOW AMBIENT KIT COMP 2
K149-1	RELAY, OUTDOOR FAN 3
K216-1	RELAY, COOL TWO
K203-2	RELAY, VFD RUN
K220-1	RELAY, OVERFLOW SWITCH
K232	RELAY, INVERTER PROTECTION
L1	VALVE, REVERSING 1
L2	VALVE, REVERSING 2
S4	SWITCH, LIMIT HI PRESS COMPRESSOR 1
S6	SWITCH, DEFROST COMPRESSOR 1
S7	SWITCH, LIMIT HI PRESS COMPRESSOR 2
S9	SWITCH, DEFROST COMPRESSOR 2
S11	SWITCH, LOW PRESS, LOW AMBIENT KIT COMP 1
S42	SWITCH, OVERLOAD RELAY BLOWER MOTOR
S46	SWITCH, DEFROST TERMINATION 1
S48	SWITCH, DISCONNECT
S49	SWITCH, FREEZESTAT 1
S50	SWITCH, FREEZESTAT 2
S52	SWITCH, AIRFLOW
S84	SWITCH, LOW PRESS, LOW AMBIENT KIT COMP 2
S104	SWITCH, DEFROST TERMINATION 2
S149	SWITCH, OVERFLOW
T1	TRANSFORMER, CONTROL
T18	TRANSFORMER, CONTACTOR CONTROL
TB13	TERMINAL STRIP, POWER DISTRIBUTION

NOTE - FOR USE WITH COPPER CONDUCTORS ONLY REFER TO UNIT RATING PLATE FOR MINIMUM CIRCUIT AMPACITY AND MAXIMUM OVERCURRENT PROTECTION SIZE.

548 OR CB10 MAY BE USED

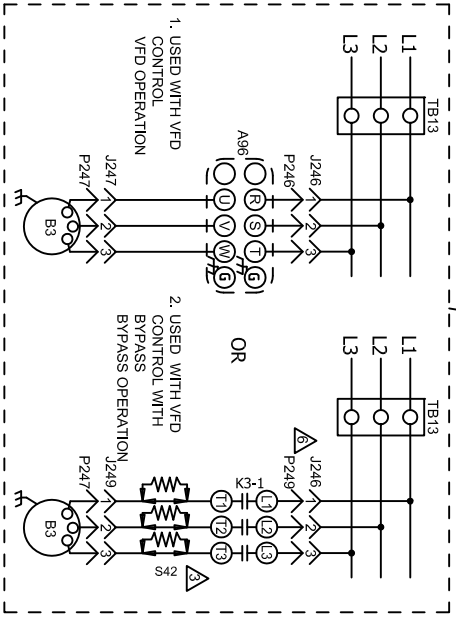
542 USED ON UNITS WITH 10 HP MOTORS AND VFD BYPASS

CONNECT A172 SENSOR TO J261 ON SUPPLY AIR SMOKE DETECTOR ONLY

F6 ONLY USED ON 7"VOLTAGE UNITS WITH FIELD INSTALLED POWER EXHAUST

TO BYPASS A96 VFD: DISCONNECT ALL POWER UNPLUG - J246 FROM P246; AND UNPLUG J247 FROM P247; UNPLUG - J248 INTO J246; AND PLUG J249 INTO P247; UNPLUG - J326 FROM P324; AND UNPLUG J324 FROM P327 PLUG - P324 INTO J324

UNITS WITH SCR OPTION ONLY



NOTE: OPTIONAL COMPONENTS

LINE VOLTAGE FIELD INSTALLED

10/15

WIRING DIAGRAM

537614-01

HEAT/COOL

KH4 - 180,240 - G,J,Y - VFD UNITS	
SECTION B	REV 2
Supersedes	New Form No. 537614-01