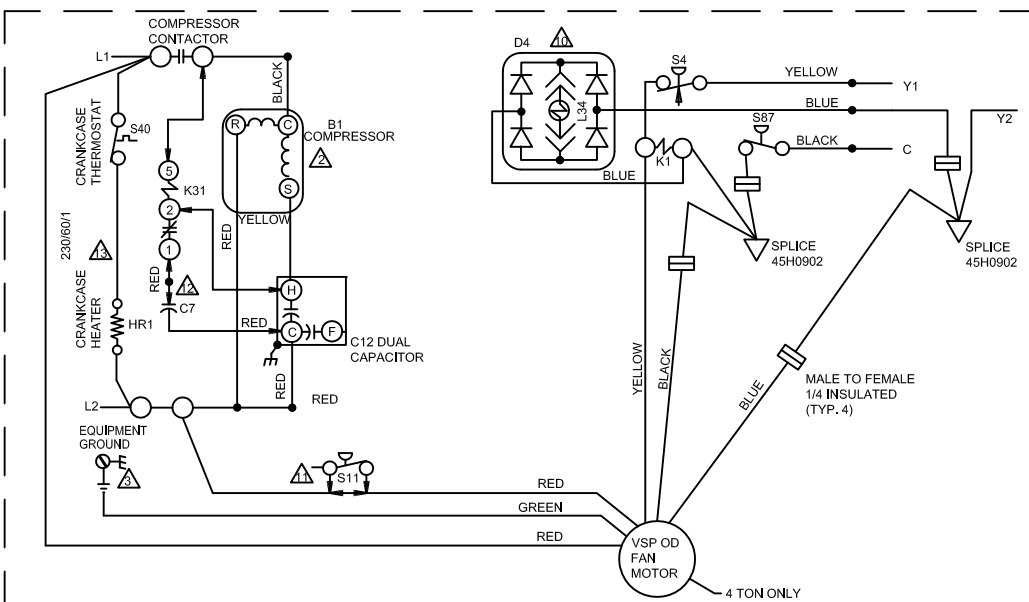


- ⚠ NOTE- FOR USE WITH COPPER CONDUCTORS ONLY. REFER TO UNIT RATING PLATE FOR MINIMUM CIRCUIT AMPACITY AND MAXIMUM OVERCURRENT PROTECTION SIZE
- ⚠ REFER TO COMPRESSOR IN UNIT FOR ACTUAL TERMINAL ARRANGEMENT
- ⚠ WARNING- ELECTRIC SHOCK HAZARD CAN CAUSE INJURY OR DEATH. UNIT MUST BE GROUNDED IN ACCORDANCE WITH NATIONAL AND LOCAL CODES.
- ⚠ REMOVE JUMPER FOR TWO STAGE COOL
- ⚠ ON A92 CUT ONBOARD W914 JUMPER FROM D5 TO R, WHEN HUMIDITY CONTROL IS USED
- ⚠ ON A92 DO NOT CUT ONBOARD W951 JUMPER FROM R TO C, IT IS USED FOR APPLICATIONS FOR CONDENSING UNITS
- ⚠ FOR CONDENSING UNIT APPLICATIONS USE R TO O JUMPER, REMOVE IN HEAT PUMP APPLICATIONS
- ⚠ REMOVE DS TO Y1 JUMPER WHEN HUMIDITY CONTROL IS USED
- ⚠ WHEN TWO STAGE THERMOSTAT IS USED, CONNECT SECOND STAGE HEAT BULB TO TERMINAL "W2", AND REMOVE JUMPER BETWEEN "R" AND "W2"
- ⚠ L34 SOLENOID IS LOCATED IN COMPRESSOR. COIL IS 24VDC, DO NOT CONNECT 24VAC TO COIL TERMINALS
- ⚠ S11 IS OPTIONAL LOW AMBIENT SWITCH
- ⚠ OPTIONAL HARD START KIT MAY BE REQUIRED ON APPLICATIONS WHERE VOLTAGES ARE LESS THAN 230 VOLT KIT INCLUDES K31 AND C7 WITH ALL NECESSARY WIRING.
- ⚠ S40 AND HRI ARE USED ON 048 AND 060 UNITS ONLY



NOTE- IF ANY WIRE IN THIS APPLIANCE IS REPLACED IT MUST BE REPLACED WITH WIRE OF LIKE SIZE, RATING, INSULATION THICKNESS, AND TERMINATION.

NOTE-MINIMUM TRANSFORMER REQUIRED IN INDOOR UNIT -40 VA

— LINE VOLTAGE FIELD INSTALLED
 - - - CLASS II VOLTAGE FIELD WIRING
 ← DENOTES OPTIONAL COMPONENTS

LENNOX		COOLING - CONDENSING
XC16-024-230	XC16-060-230	
XC16-036-230		
XC16-048-230		
		Supersedes
0413		Form No. 537621-01