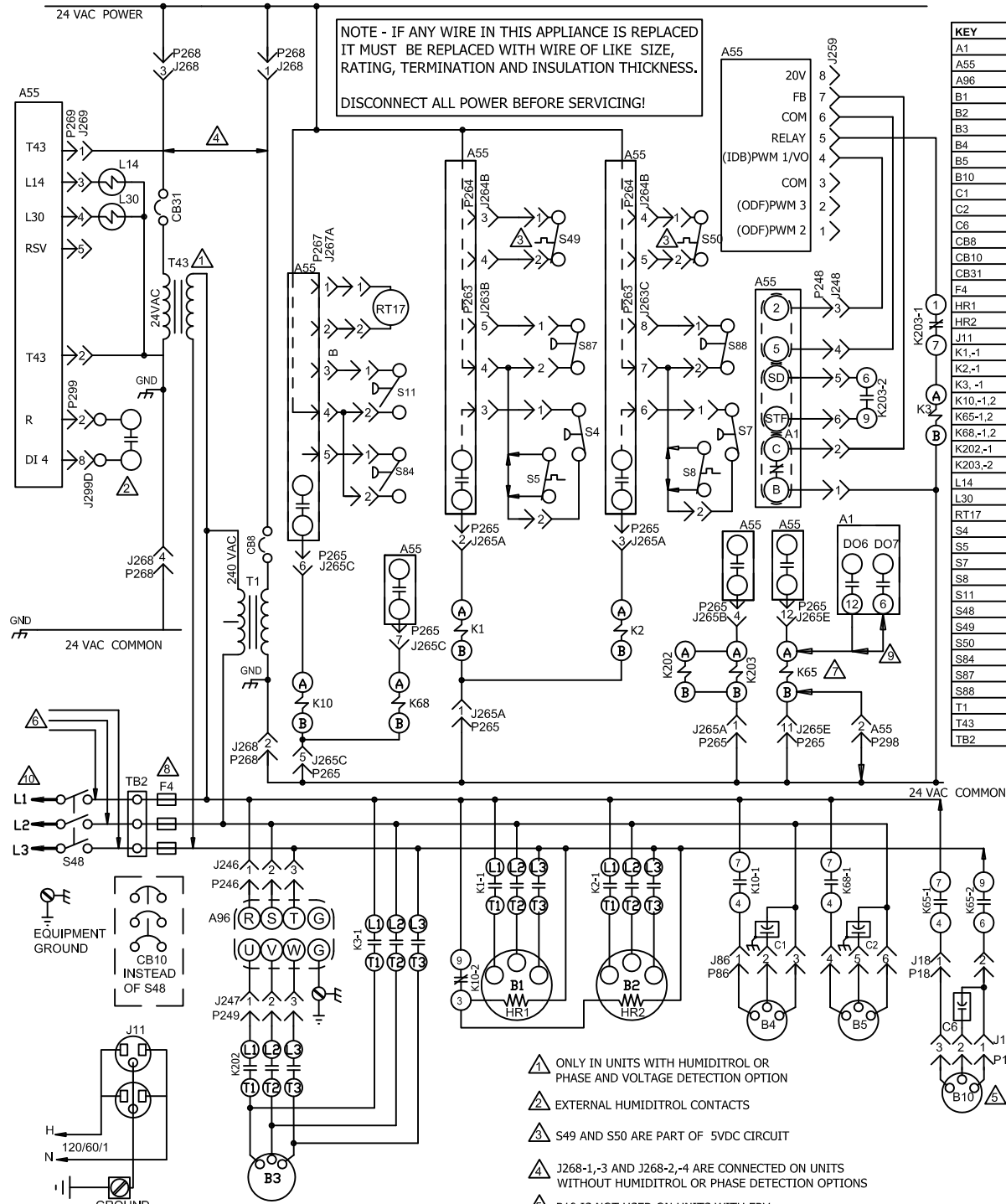
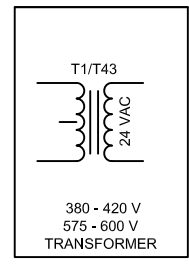


NOTE - IF ANY WIRE IN THIS APPLIANCE IS REPLACED IT MUST BE REPLACED WITH WIRE OF LIKE SIZE, RATING, TERMINATION AND INSULATION THICKNESS.
DISCONNECT ALL POWER BEFORE SERVICING!

KEY	COMPONENT
A1	PANEL, AUTOMATED LOGIC CONTROL (ALC)
A55	PANEL, MAIN
A96	CONTROL INVERTER
B1	COMPRESSOR 1
B2	COMPRESSOR 2
B3	MOTOR, BLOWER
B4	MOTOR, OUTDOOR FAN 1
B5	MOTOR, OUTDOOR FAN 2
B10	MOTOR, EXHAUST FAN
C1	CAPACITOR, OUTDOOR FAN 1
C2	CAPACITOR, OUTDOOR FAN 2
C6	CAPACITOR, EXHAUST FAN
CB8	CIRCUIT BREAKER, T1
CB10	CIRCUIT BREAKER, MAIN DISCONNECT, UNIT
CB31	CIRCUIT BREAKER, TRANSFORMER T43
F4	FUSE, UNIT
HR1	HEATER, COMPRESSOR 1
HR2	HEATER, COMPRESSOR 2
J11	JACK, GFI RECEPTICLE
K1,-1	CONTACTOR, COMPRESSOR 1
K2,-1	CONTACTOR, COMPRESSOR 2
K3,-1	CONTACTOR, BLOWER
K10,-1,2	RELAY, OUTDOOR FAN 1
K65,-1,2	RELAY, EXHAUST FAN
K68,-1,2	RELAY, OUTDOOR FAN 2
K202,-1	CONTACTOR, POWER TO MOTOR
K203,-2	RELAY, INVERTER START/RUN
L14	VALVE SOLENOID, REHEAT COIL 1
L30	VALVE SOLENOID, REHEAT COIL 2
RT17	SENSOR, OUTSIDE AIR TEMPERATURE
S4	SWITCH, LIMIT HI PRESS COMP 1
S5	SWITCH, LIMIT HI TEMP COMPRESSOR 1
S7	SWITCH, LIMIT HI TEMP COMPRESSOR 2
S8	SWITCH, LIMIT HI TEMP COMPRESSOR 2
S11	SWITCH, LOW PRESS, LOW AMBIENT KIT COMP 1
S48	SWITCH, DISCONNECT
S49	SWITCH, FREEZESTAT COMP 1
S50	SWITCH, FREEZESTAT COMP 2
S84	SWITCH, LOW PRESS, LOW AMBIENT KIT COMP 2
S87	SWITCH, LOW PRESS, COMPRESSOR 1
S88	SWITCH, LOW PRESS, COMPRESSOR 2
T1	TRANSFORMER, CONTROL
T43	TRANSFORMER, REHEAT
TB2	TERMINAL STRIP, UNIT



- 1 ONLY IN UNITS WITH HUMIDITROL OR PHASE AND VOLTAGE DETECTION OPTION
- 2 EXTERNAL HUMIDITROL CONTACTS
- 3 S49 AND S50 ARE PART OF 5VDC CIRCUIT
- 4 J268-1,-3 AND J268-2,-4 ARE CONNECTED ON UNITS WITHOUT HUMIDITROL OR PHASE DETECTION OPTIONS
- 5 B10 IS NOT USED ON UNITS WITH ERV
- 6 USED ON UNITS WITH ERV SINGLE POINT POWER. SEE ERV DIAGRAM
- 7 K65 IS CONTROLLED BY A1 ONLY IN TARGET ALC APPLICATIONS
- 8 USED ON LCH AND UNITS WITH ERV SINGLE POINT POWER ONLY
- 9 DO7 USED ON UNITS WITH HUMIDITROL TO POWER EXHAUST FANS. DO6 PROVIDES POWER TO K65 ON UNITS WITH NO HUMIDITROL
- 10 NOTE: FOR USE WITH COPPER CONDUCTORS ONLY. REFER TO UNIT RATING PLATE FOR MINIMUM CIRCUIT AMPACITY AND MAXIMUM OVERCURRENT PROTECTION SIZE.



120 V FIELD PROVIDED POWER SUPPLY IS REQUIRED

J/P	JACK/PLUG DESCRIPTION
18	POWER, EXHAUST FAN
86	POWER, OUTDOOR FAN INTERFACE
132	POWER, EXHAUST FAN MOTOR
194	GP CONTROL INPUT/OUTPUT
246	POWER TO VFD
247	POWER, VFD TO MOTOR
248	VFD CONTROL
249	POWER, CONTACTOR BYPASS
263	HIGH AND LOW PRESSURE SWITCHES
264	BLOWER DECK
265	CONTACTORS AND RELAYS
267	OUTDOOR FAN AREA
268	TRANSFORMERS T1 POWER
269	TRANSFORMER T43 POWER
298	IAQ INTERFACE
299	HUMIDITROL, SAFETY

← DENOTES OPTIONAL COMPONENTS
— LINE VOLTAGE FIELD INSTALLED

04/15 WIRING DIAGRAM 04/15

537627-01

COOLING -MSAV WITH BYPASS

LCH/LGH - 092H,102H,120H,150S - G,J,M,Y

SECTION B	REV 1
Supersedes 537408-01	New Form No. 537627-01