

JACKPLUG CHART

J-P48	JACKPLUG INDOOR BLOWER-POWER
J-P49	JACKPLUG INDOOR BLOWER-SPD TAP
J-P2	JACKPLUG-BURNER CONTROL
J-P8	JACKPLUG-COMB AIR INDOOR
J-P3	JACKPLUG INDOOR-TRANSISTER
J-P59	JACKPLUG-SENSATION

JACKPLUG CHART

HI COOL	LOW COOL	HIGH HEAT	LOW HEAT	PARK
DP48-12	BLACK	BROWN	BLUE	YELLOW
DP48-12	BLACK	BROWN	BLUE	YELLOW
DP48-16	BLACK	BROWN	BLUE	YELLOW
DP48-16	BLACK	BROWN	BLUE	YELLOW
DF10-20	BLACK	BLUE	BROWN	YELLOW
DF10-20	BLACK	BLUE	BROWN	YELLOW
DF10-20	BLACK	BLUE	BROWN	YELLOW
DF10-20	BLACK	BLUE	BROWN	YELLOW

UNIT HI COOL LOW COOL HIGH HEAT LOW HEAT PARK

DEFACTS-12 BLACK BROWN BLUE YELLOW RED

DEFACTS-16 BLACK BROWN BLUE YELLOW RED

DF10-20 BLACK BLUE BROWN YELLOW RED

DF10-20 BLACK BLUE BROWN YELLOW RED

DF10-20 BLACK BLUE BROWN YELLOW RED

DF10-20 BLACK BLUE BROWN YELLOW RED

BLOWER SPEED SELECTION

HI ← BROWN → LOW

← BLUE →

← YELLOW →

HUMIDIFIER

TO C
TO R OR H ON THERMOSTAT

← HUM →

← AT FIC →

← TO L1 →

← TO N →

HUMIDIFIER

← HUM →

← AT FIC →

← TO L1 →

← TO N →

WIRING NOTES:

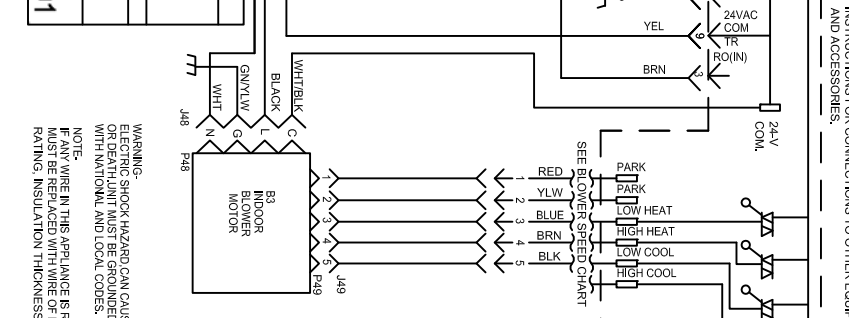
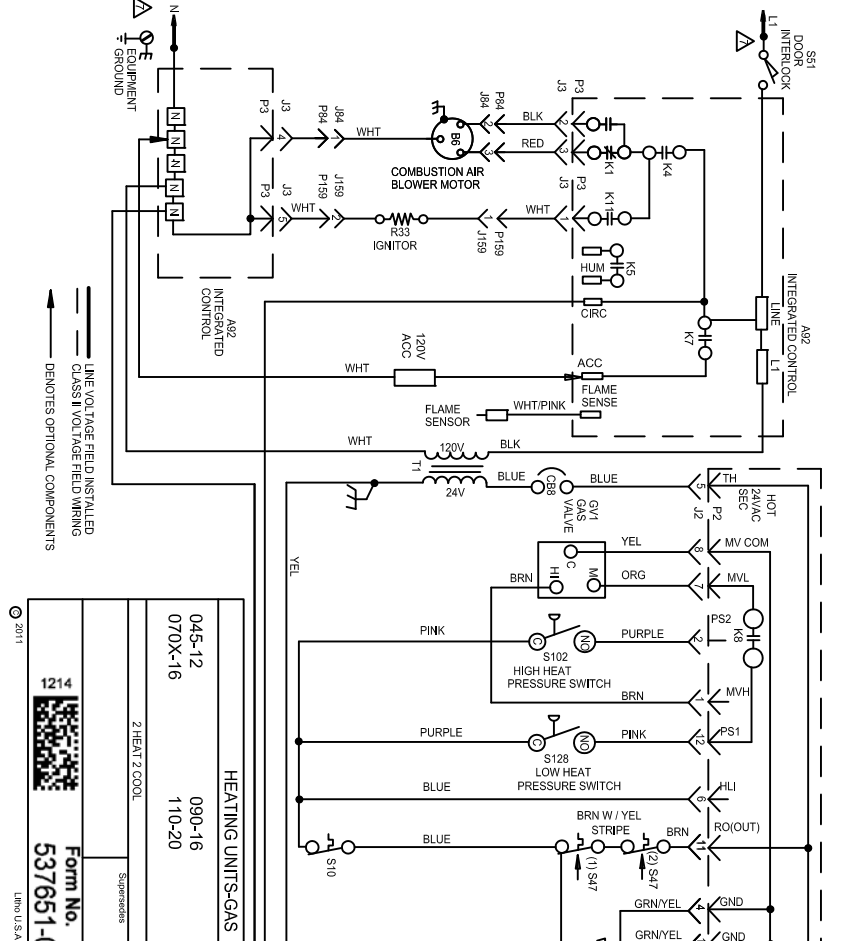
- △ CUT W914 JUMPER LABELED DEHUM FROM DS TO R AT A92 CONTROL BOARD WHEN USED WITH A THERMOSTAT HAVING DEHUMIDIFICATION CONTROL.
- △ CUT W951 JUMPER FROM O TO R LABELED "HEAT PUMP" AT A92 CONTROL BOARD WHEN USED FOR DUAL FUEL APPLICATIONS.
- △ CUT W915 JUMPER LABELED "2 STAGE COMP" FROM Y1 TO Y2 AT A92 CONTROL WHEN USED WITH A 2 STAGE COOL THERMOSTAT.
- △ L13 USED ON 3/4 AND 1 HP ONLY.

THERMOSTAT HEAT ANTICIPATION SETTING

ES-AMP	HONEYWELL VALVE
43 AMP	WHITE RODGERS VALVE

WARNING: ELECTRIC SHOCK HAZARD CAN CAUSE INJURY OR DEATH. UNIT MUST BE GROUNDED IN ACCORDANCE WITH NATIONAL AND LOCAL CODES.

NOTE: IF ANY WIRE IN THIS APPLIANCE IS REPLACED IT MUST BE REPLACED WITH WIRE OF THE SAME RATING, INSULATION THICKNESS, AND TERMINATION.



JACKPLUG CHART

J-P48	JACKPLUG INDOOR BLOWER-POWER
J-P49	JACKPLUG INDOOR BLOWER-SPD TAP
J-P2	JACKPLUG-BURNER CONTROL
J-P8	JACKPLUG-COMB AIR INDOOR
J-P3	JACKPLUG INDOOR-TRANSISTER
J-P59	JACKPLUG-SENSATION

JACKPLUG CHART

HI COOL	LOW COOL	HIGH HEAT	LOW HEAT	PARK
DP48-12	BLACK	BROWN	BLUE	YELLOW
DP48-12	BLACK	BROWN	BLUE	YELLOW
DP48-16	BLACK	BROWN	BLUE	YELLOW
DP48-16	BLACK	BROWN	BLUE	YELLOW
DF10-20	BLACK	BLUE	BROWN	YELLOW
DF10-20	BLACK	BLUE	BROWN	YELLOW
DF10-20	BLACK	BLUE	BROWN	YELLOW
DF10-20	BLACK	BLUE	BROWN	YELLOW

UNIT HI COOL LOW COOL HIGH HEAT LOW HEAT PARK

DEFACTS-12 BLACK BROWN BLUE YELLOW RED

DEFACTS-16 BLACK BROWN BLUE YELLOW RED

DF10-20 BLACK BLUE BROWN YELLOW RED

DF10-20 BLACK BLUE BROWN YELLOW RED

DF10-20 BLACK BLUE BROWN YELLOW RED

DF10-20 BLACK BLUE BROWN YELLOW RED

BLOWER SPEED SELECTION

HI ← BROWN → LOW

← BLUE →

← YELLOW →

HUMIDIFIER

TO C
TO R OR H ON THERMOSTAT

← HUM →

← AT FIC →

← TO L1 →

← TO N →

HUMIDIFIER

← HUM →

← AT FIC →

← TO L1 →

← TO N →

WIRING NOTES:

- △ CUT W914 JUMPER LABELED DEHUM FROM DS TO R AT A92 CONTROL BOARD WHEN USED WITH A THERMOSTAT HAVING DEHUMIDIFICATION CONTROL.
- △ CUT W951 JUMPER FROM O TO R LABELED "HEAT PUMP" AT A92 CONTROL BOARD WHEN USED FOR DUAL FUEL APPLICATIONS.
- △ CUT W915 JUMPER LABELED "2 STAGE COMP" FROM Y1 TO Y2 AT A92 CONTROL WHEN USED WITH A 2 STAGE COOL THERMOSTAT.
- △ L13 USED ON 3/4 AND 1 HP ONLY.

THERMOSTAT HEAT ANTICIPATION SETTING

ES-AMP	HONEYWELL VALVE
43 AMP	WHITE RODGERS VALVE

WARNING: ELECTRIC SHOCK HAZARD CAN CAUSE INJURY OR DEATH. UNIT MUST BE GROUNDED IN ACCORDANCE WITH NATIONAL AND LOCAL CODES.

NOTE: IF ANY WIRE IN THIS APPLIANCE IS REPLACED IT MUST BE REPLACED WITH WIRE OF THE SAME RATING, INSULATION THICKNESS, AND TERMINATION.

HEATING UNITS-GAS

045-12 090-16

070X-16 110-20

2 HEAT 2 COOL

Supersede

Form No. 537651-01

1214

2011

Line U.S.A.