

UNIT	HI COOL	LOW COOL	HIGH HEAT	LOW HEAT	PARK
DF045-12	BLK	BROWN	BLU	YEL	RED
DF07-16	BLK	BROWN	BLU	YEL	RED
DF09-16	BLK	BLU	BROWN	YEL	RED
DF10-20	BLK	BLU	BROWN	YEL	RED

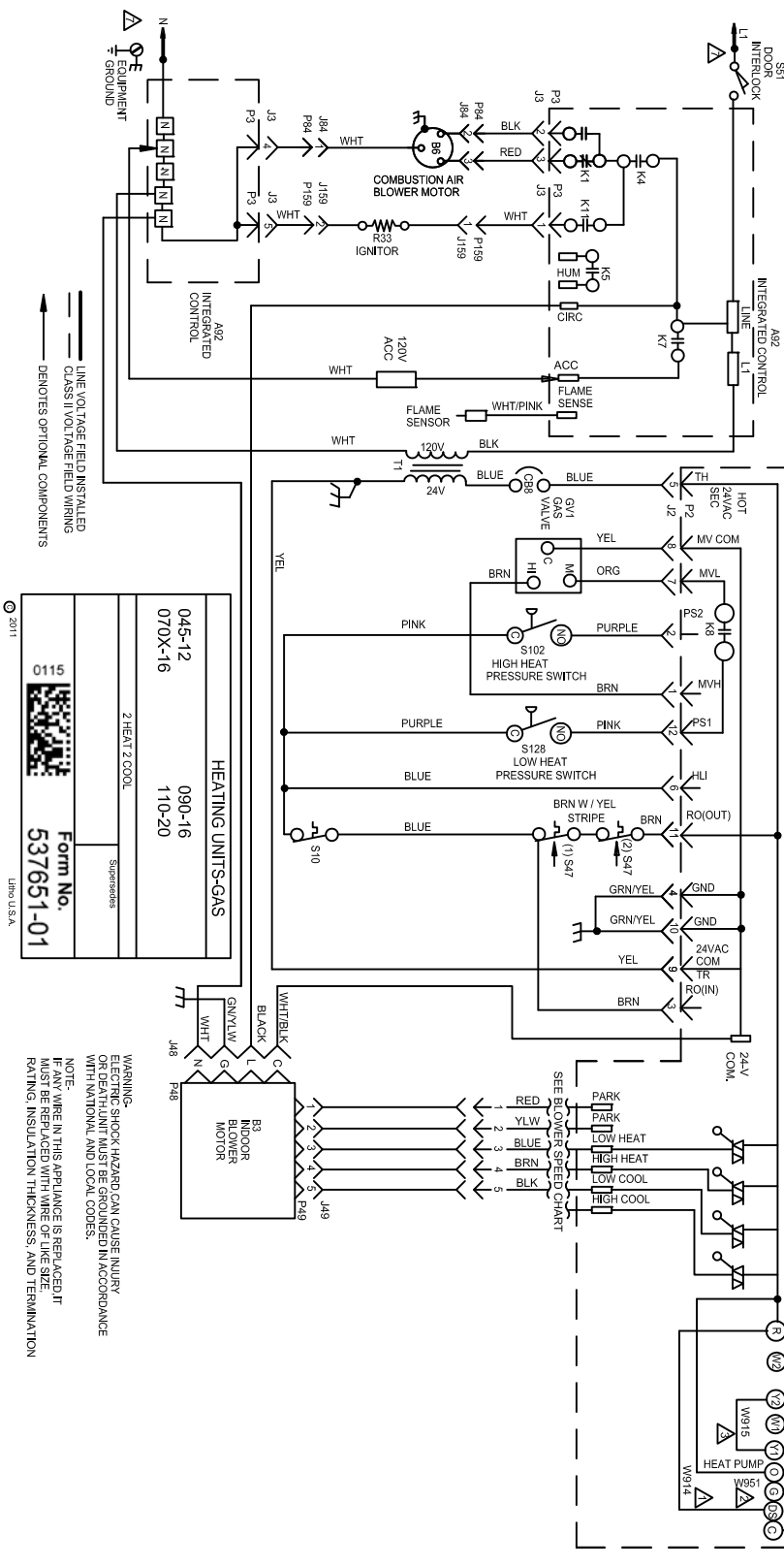
BLOWER SPEED SELECTION	
TO C	TO R OR H ON THERMOSTAT
TO N	TO L1
TO H	AT IFC
TO L	AT IFC

JACKPLUG CHART	
J1P48	JACKPLUG-INDOOR BLOWER-POWER
J1P49	JACKPLUG-INDOOR BLOWER-SPD TAP
J1P2	JACKPLUG-IGNITOR CONTROL
J1P4	JACKPLUG-INDOOR BLOWER
J1P5	JACKPLUG-INDOOR BLOWER
J1P189	JACKPLUG-IGNITION

- ▲ CUT W94 JUMPER LABELED DEHUM FROM DS TO R, AT A92 CONTROL BOARD, WHEN USED WITH A THERMOSTAT HAVING DEHUMIDIFICATION CONTROL.
- ▲ CUT W95 JUMPER FROM O TO R LABELED "HEAT PUMP" AT A92 CONTROL BOARD WHEN USED FOR DUAL FUEL APPLICATIONS.
- ▲ CUT W919 JUMPER LABELED "2 STAGE COMP" FROM Y1 TO Y2 AT A92 CONTROL WHEN USED WITH A 2 STAGE COOL THERMOSTAT.
- ▲ L13 USED ON 3/4 AND 1 HP ONLY.

THERMOSTAT HEAT ANTIPIPCATION SETTING
 4.8 AMP WHITE RODGERS VALVE
 5.8 AMP HONEYWELL VALVE

TWO STAGE HEAT/COOL
 NOTE: SEE INSTALLATION INSTRUCTIONS FOR PROCEDURE TO SET CORRECT BLOWER SPEED FOR SPECIFIC COOLING TONNAGE BEING APPLIED, AND HEATING TEMPERATURE RISE REQUIRED.
 TYPICAL SYSTEM SHOWN FOR 2 HEAT/2 COOL WITH A THERMOSTAT. SEE INSTALLATION INSTRUCTIONS FOR CONNECTIONS TO OTHER EQUIPMENT AND ACCESSORIES.



HEATING UNITS-GAS	
045-12	090-16
070X-16	110-20

WARNING-
 ELECTRIC SHOCK HAZARD CAN CAUSE INJURY OR DEATH! UNIT MUST BE GROUNDED IN ACCORDANCE WITH NATIONAL AND LOCAL CODES.
 NOTE-
 IF ANY WIRE IN THIS APPLANCE IS REPLACED, IT MUST BE REPLACED WITH WIRE OF THE SAME RATING INSULATION THICKNESS, AND TERMINATION

Form No. 537651-01
 0115
 2011

8-1/2" X 9"