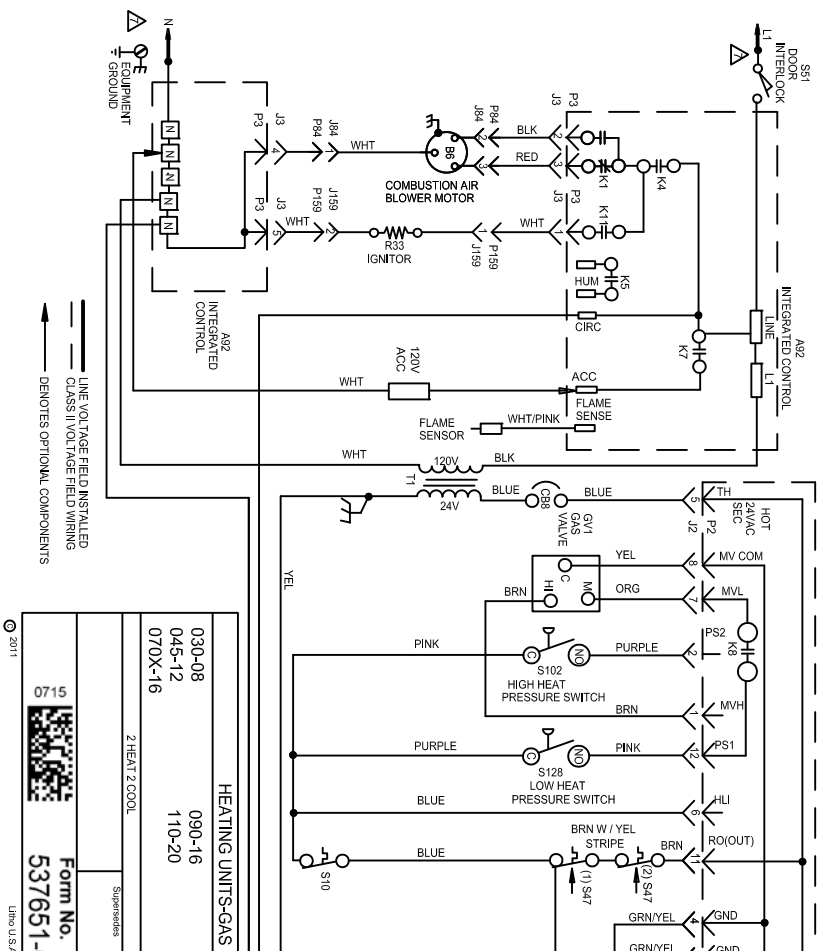
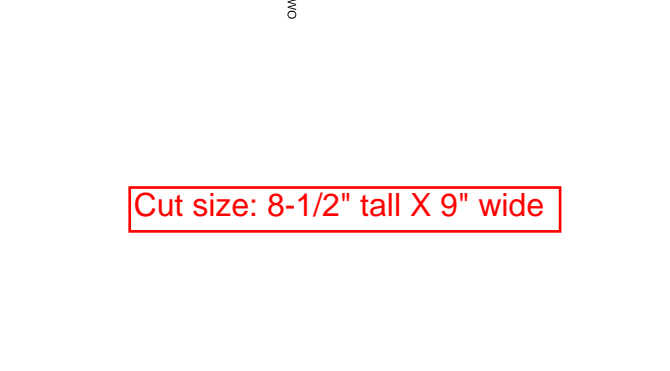


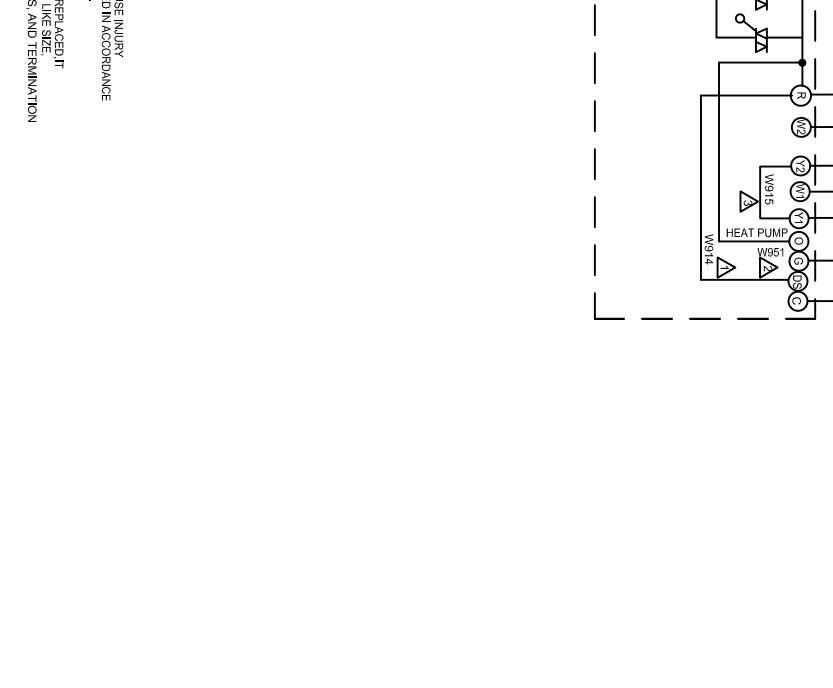
UNIT	HI COOL	LOW COOL	HIGH HEAT	LOW HEAT	PARK
090-08	BLACK	BROWN	BLUE	YELLOW	RED
090-16	BLACK	BROWN	BLUE	YELLOW	RED
090-16	BLACK	BROWN	BLUE	YELLOW	RED
110-20	BLACK	BLUE	BROWN	YELLOW	RED
110-20	BLACK	BLUE	BROWN	YELLOW	RED

BLOWER SPEED SELECTION	
HI	TO R OR H ON THERMOSTAT
TO C	TO C
TO L1	TO L1
LOW	TO R OR H ON THERMOSTAT

- ▲ 090-08 BLACK BROWN BLUE YELLOW RED
 - ▲ 090-16 BLACK BROWN BLUE YELLOW RED
 - ▲ 090-16 BLACK BROWN BLUE YELLOW RED
 - ▲ 110-20 BLACK BLUE BROWN YELLOW RED
 - ▲ 110-20 BLACK BLUE BROWN YELLOW RED
-
- ▲ J1P48 JACK P1/48 INDOOR BLOWER-POWER
 - ▲ J1P49 JACK P1/49 INDOOR BLOWERS SPD TAP
 - ▲ J1P2 JACK P1/2 INDOOR BLOWER CONTROL
 - ▲ J1P3 JACK P1/3 INDOOR BLOWER
 - ▲ J1P189 JACK P1/189 INDOOR BLOWER



HEATING UNITS-GAS	
090-08	090-16
045-12	110-20
070X-16	



WARNING- ELECTRIC SHOCK HAZARD CAN CAUSE INJURY OR DEATH! UNIT MUST BE GROUNDED IN ACCORDANCE WITH NATIONAL AND LOCAL CODES.

NOTE- IF ANY WIRE IN THIS APPLANCE IS REPLACED, IT MUST BE REPLACED WITH WIRE OF THE SAME GAUGE, RATING, INSULATION THICKNESS, AND TERMINATION

Cut size: 8-1/2" tall X 9" wide