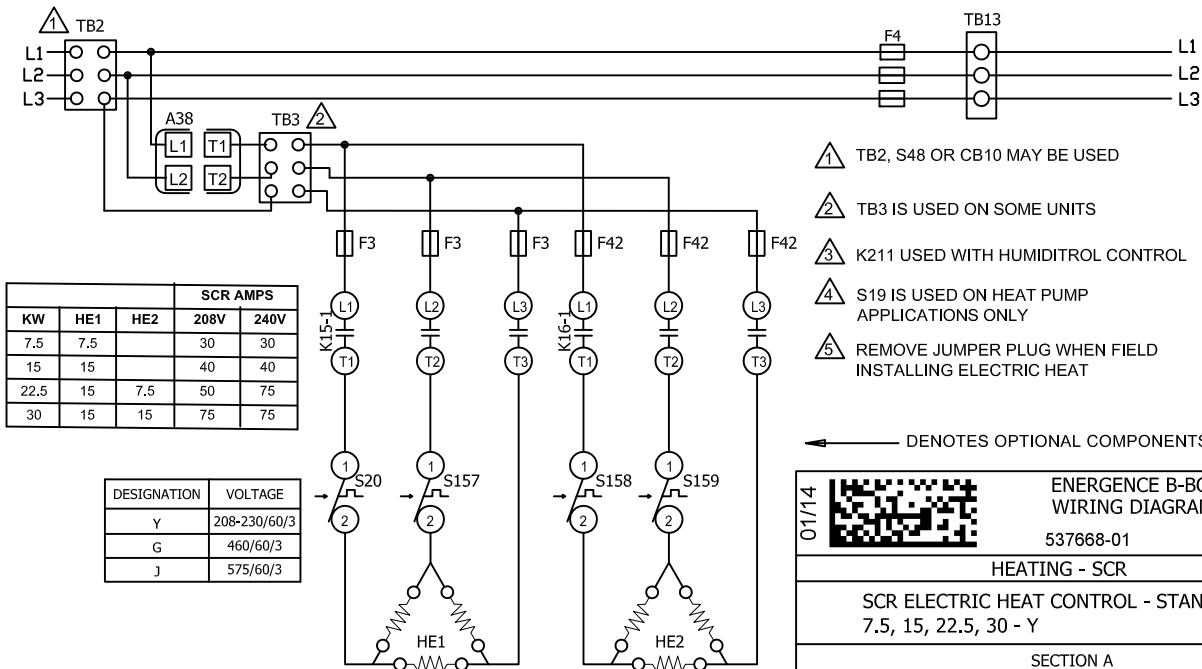


KEY	DESCRIPTION
A38	CONTROL, SCR ELECTRIC HEAT
A55	PANEL, MAIN
A104	THERMOSTAT, SUPPLY AIR
F3	FUSE, ELECTRIC HEAT 1
F4	FUSE, UNIT
F4 2	FUSE, ELECTRIC HEAT 2
HE1	ELEMENT, ELECTRIC HEAT 1
HE2	ELEMENT, ELECTRIC HEAT 2
K15,-1	CONTACTOR, ELECTRIC HEAT 1
K16,-1	CONTACTOR, ELECTRIC HEAT 2
K161,-1	RELAY, SCR INTERRUPT

K162,-1	RELAY, SCR HIGH OUTPUT
K211-1	RELAY, LOCKOUT
RT20	SENSOR, DISCHARGE SCR
S15	SWITCH, LIMIT PRIMARY ELECTRIC HEAT
S19	THERMOSTAT, ELECTRIC HEAT LIMIT
S20	SWITCH, LIMIT SECONDARY ELEC. HEAT 1 (NO RESET)
S157	SWITCH, LIMIT SECONDARY ELEC. HEAT 1 (NO RESET)
S158	SWITCH, LIMIT SECONDARY ELEC. HEAT 2 (NO RESET)
S159	SWITCH, LIMIT SECONDARY ELEC. HEAT 2 (NO RESET)
TB2	TERMINAL STRIP, UNIT
TB13	TERMINAL STRIP, POWER DISTRIBUTION
TB36	TERMINAL STRIP, SCR

KEY	DESCRIPTION
7	ELECTRIC HEAT SUB BASE KIT
265C	CONTACTOR RELAY
266A	HEATING CONTROL STG 1
271A,B	HEATING SENSORS STG 1
297	THERMOSTAT INTERFACE



- ⚠ TB2, S48 OR CB10 MAY BE USED
- ⚠ TB3 IS USED ON SOME UNITS
- ⚠ K211 USED WITH HUMIDITROL CONTROL
- ⚠ S19 IS USED ON HEAT PUMP APPLICATIONS ONLY
- ⚠ REMOVE JUMPER PLUG WHEN FIELD INSTALLING ELECTRIC HEAT

← DENOTES OPTIONAL COMPONENTS

		SCR AMPS		
KW	HE1	HE2	208V	240V
7.5	7.5		30	30
15	15		40	40
22.5	15	7.5	50	75
30	15	15	75	75

DESIGNATION	VOLTAGE
Y	208-230/60/3
G	460/60/3
J	575/60/3

01/14		EMERGENCE B-BOX WIRING DIAGRAM 537668-01	01/14
HEATING - SCR			
SCR ELECTRIC HEAT CONTROL - STAND ALONE 7.5, 15, 22.5, 30 - Y			
SECTION A			REV. 0
Supersedes 537259-01		New Form No. 537668-01	