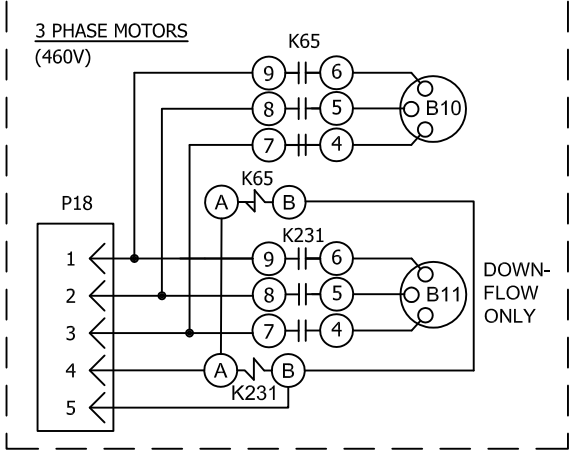
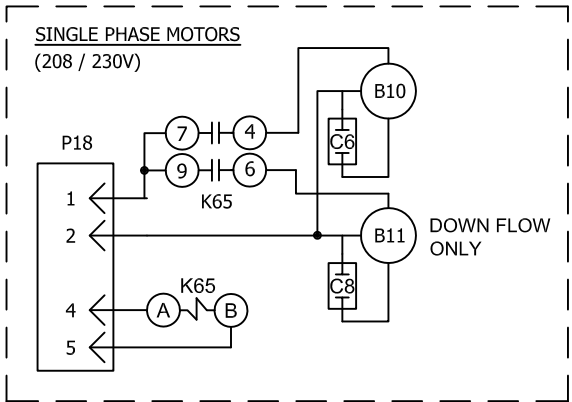


POWER EXHAUST OPTIONS

KEY	COMPONENT
A6	CONTROL-ECONOMIZER
A7	SENSOR-SOLID STATE ENTHALPY
A62	SENSOR-ENTHALPY, INDOOR
B7	MOTOR-DAMPER, ECONOMIZER
B10	POWER EXHAUST FAN 1
B11	POWER EXHAUST FAN 2 (DOWNFLOW ONLY)
B43	MOTOR-EXHAUST DAMPER
C6	CAPACITOR, EXHAUST FAN 1
C8	CAPACITOR, EXHAUST FAN 2 (DOWNFLOW ONLY)
K8	RELAY, TRANSFER
K65	RELAY, EXHAUST FAN
K231	RELAY, EXHAUST FAN 2
R1	MIXED AIR SENSOR
R51	RESISTOR-SENSIBLE 820 OHM
RT26	SENSOR-OUTDOOR AIR TEMP
TB13	TERMINAL STRIP, POWER DISTRIBUTION

J/P	JACK/PLUG DESCRIPTION
9	ECONOMIZER, MOTOR
10	ECONOMIZER
18	EXHAUST FAN COMPT.
24	EXHAUST FAN
105	HARNESS, SENSOR RETURN AIR
142	ECONOMIZER HARNESS



- OUTDOOR AIR TEMP SENSOR RT26 OR OUTDOOR AIR ENTHALPY SENSOR A7 MAY BE USED.
- FOR DIFFERENTIAL ENTHALPY SENSING USE OUTDOOR ENTHALPY SENSOR A7 AND INDOOR ENTHALPY SENSOR A62
- REFER ALSO TO MAIN UNIT WIRING DIAGRAM SECTION C
- PROGRAMMABLE USE FOR EXHAUST FAN 2 OUTPUT OR ERV O SYSTEM ALARM OUTPUT
- WHEN A7 IS USED CONNECT TO S-BUS
- POWER EXHAUST OPTION

DESIGNATES OPTIONAL WIRING  
 CLASS II FIELD WIRING

07/14		WIRING DIAGRAM	07/14
		537670-01	
ACCESSORIES			
JADE CONTROL ECONOMIZER (RAIDER B-BOX)			
SECTION D			REV. 0
Supersedes	New Form No. 537670-01		