

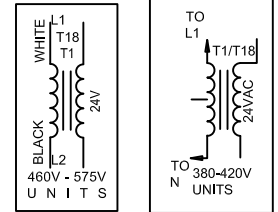
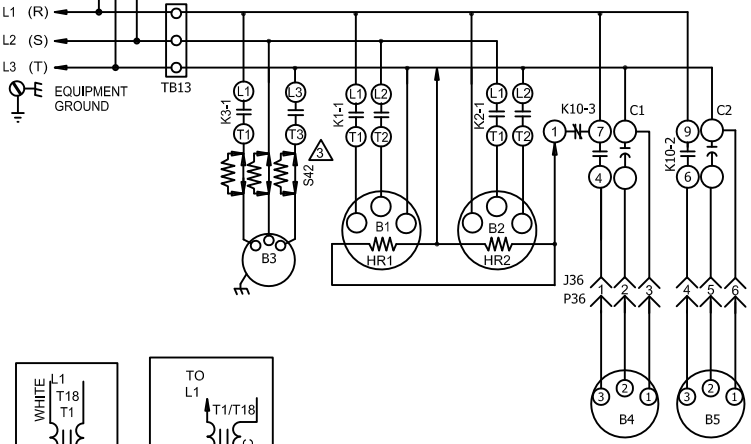
NOTE - IF ANY WIRE IN THIS APPLIANCE IS REPLACED IT MUST BE REPLACED WITH WIRE OF LIKE SIZE, RATING, TERMINATION AND INSULATION THICKNESS

WARNING - ELECTRIC SHOCK HAZARD, CAN CAUSE INJURY OR DEATH UNIT MUST BE GROUNDED IN ACCORDANCE WITH NATIONAL AND LOCAL CODES

DISCONNECT ALL POWER BEFORE SERVICING.

KEY	COMPONENT
A96	CONTROL, INVERTER
B1	COMPRESSOR 1
B2	COMPRESSOR 2
B3	MOTOR, BLOWER
B4	MOTOR, OUTDOOR FAN 1
B5	MOTOR, OUTDOOR FAN 2
C1	CAPACITOR, OUTDOOR FAN 1
C2	CAPACITOR, OUTDOOR FAN 2
CMC1	TIMER, DEFROST
HR1	HEATER COMPRESSOR 1
HR2	HEATER COMPRESSOR 2
K1,-1	CONTACTOR, COMPRESSOR 1

K2,-1	CONTACTOR, COMPRESSOR 2
K3	CONTACTOR, BLOWER
K8,-1,2,3	RELAY, DEFROST
K10,-1,2,3	RELAY, OUTDOOR FAN
K58-1	RELAY, REVERSING VALVE
K117	RELAY, BLOWER CONTROL
K132,-1	RELAY, COMPRESSOR 1 ON
K133,-1	RELAY, COMPRESSOR 2 ON
K186	RELAY, COOL BLOWER
L1	VALVE, REVERSING 1
L2	VALVE, REVERSING 2
S4	SWITCH, LIMIT HI PRESS COMP 1
S5	SWITCH, LIMIT HI TEMP COMP 1
S6	SWITCH, DEFROST COMP 1
S7	SWITCH, LIMIT HI PRESS COMP 2
S8	SWITCH, LIMIT HI TEMP COMP 2
S9	SWITCH, DEFROST COMPRESSOR 2
S30	SWITCH, LIMIT LOW COMP 2
S48	SWITCH, DISCONNECT
S104	SWITCH, DEFROST PRESS, COMP 2
T18	TRANSFORMER, CONTROL
TB2	TERMINAL STRIP, UNIT
TB13	TERMINAL STRIP, POWER DISTRIBUTION




NOTE - FOR USE WITH COPPER CONDUCTORS ONLY REFER TO UNIT RATING PLATE FOR MINIMUM CIRCUIT AMPACITY AND MAXIMUM OVERCURRENT PROTECTION SIZE.

- ⚠ TB2 IS USED ON "M" VOLTAGE UNITS ONLY
- ⚠ IMPORTANT: TO PREVENT MOTOR BURNOUT, NEVER CONNECT MORE THAN ONE MOTOR LEAD TO ANY ONE CONNECTION. TAPE UNUSED MOTOR LEADS
- ⚠ S42 USED ON "M" VOLTAGE UNITS AND UNITS WITH HIGH EFFICIENCY MOTORS

J/P	JACK/PLUG DESCRIPTION
2	HEAT
35	TEST HEAT
36	TEST COOL

← DENOTES OPTIONAL COMPONENTS
 — LINE VOLTAGE FIELD INSTALLED

07/14		WIRING DIAGRAM	07/14
		537672-01	
HEAT PUMP - CAV			
ZHA - 092, 102, 120 - G, J, M, Y			
SECTION B			REV. 0
Supersedes		New Form No. 537672-01	