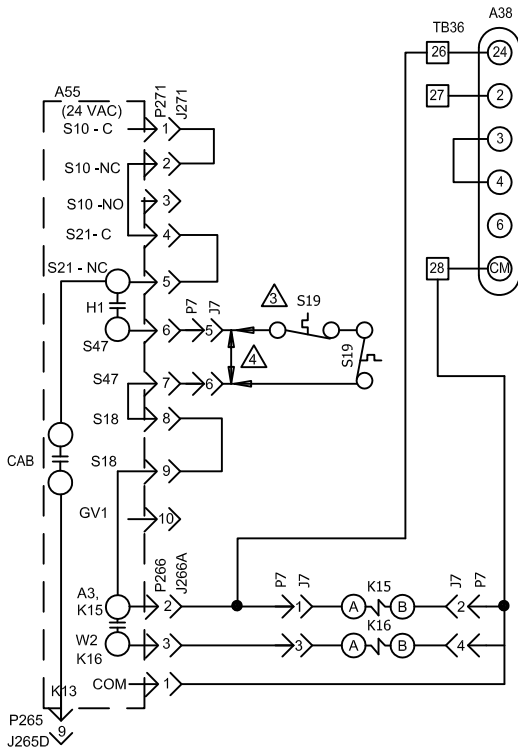


J/P	JACK/PLUG DESCRIPTION
7	ELECTRIC HEAT SUB BASE KIT
265	CONTACTOR RELAY
266	HEATING CONTROL
271	HEATING SENSORS STG 1

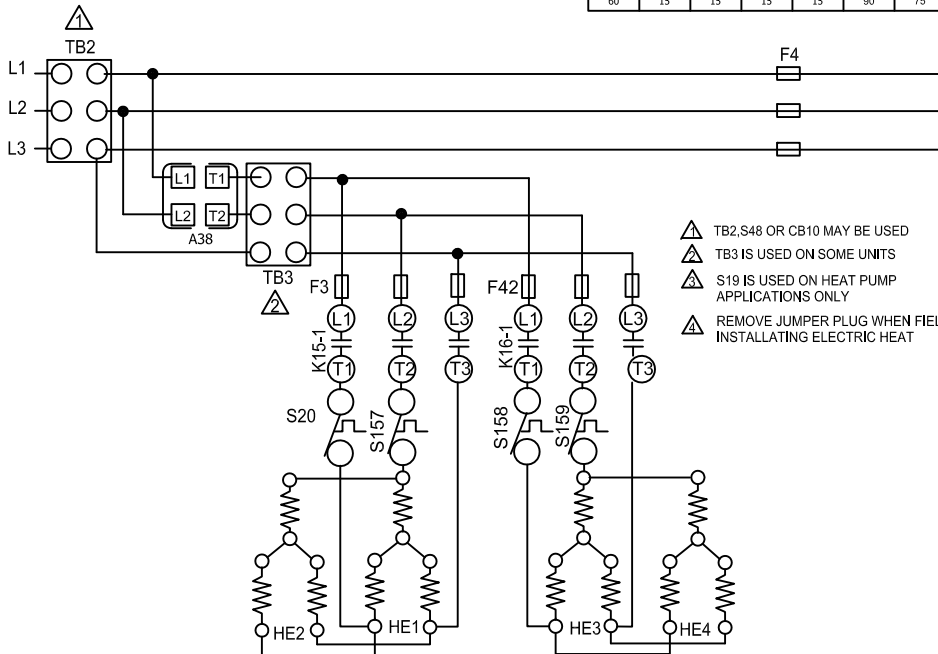
KEY	DESCRIPTION
A38	CONTROL, SCR ELECTRIC HEAT
A55	PANEL MAIN
F3	FUSE, ELECTRIC HEAT 1
F4	FUSE, UNIT
F42	FUSE, ELECTRIC HEAT 2
F43	FUSE, ELECTRIC HEAT 3,4
F44	FUSE, ELECTRIC HEAT 5
HE1	ELEMENT, ELECTRIC HEAT 1
HE2	ELEMENT, ELECTRIC HEAT 2
HE3	ELEMENT, ELECTRIC HEAT 3
HE4	ELEMENT, ELECTRIC HEAT 4
K15-1	CONTACTOR, ELECTRIC HEAT 1, 2
K16-1	CONTACTOR, ELECTRIC HEAT 3, 4
S15	SWITCH, LIMIT PRIMARY ELECTRIC HEAT
S19	THERMOSTAT, ELECTRIC HEAT LIMIT
S20	SWITCH, LIMIT SECONDARY ELEC. HEAT 1 (NO RESET)
S157	SWITCH, LIMIT SECONDARY ELEC. HEAT 2 (NO RESET)
S158	SWITCH, LIMIT SECONDARY ELEC. HEAT 3 (NO RESET)
S159	SWITCH, LIMIT SECONDARY ELEC. HEAT 4 (NO RESET)
TB2	TERMINAL STRIP, UNIT
TB3	TERMINAL STRIP, ELECTRIC HEAT
TB36	TERMINAL STRIP, SCR.



G, J VOLT UNITS

KW	HE1	HE2	HE3	HE4
7.5	7.5			
15	15			
22.5	15		7.5	
30	15		15	
45	15		15	15
60	15	15	15	15

					SCR AMPS	
KW	HE1	HE2	HE3	HE4	480V	600V
7.5	7.5				15	15
15	15				30	15
22.5	15		7.5		30	30
30	15		15		40	40
45	15		15	15	75	50
60	15	15	15	15	90	75



- ⚠ TB2, S48 OR CB10 MAY BE USED
- ⚠ TB3 IS USED ON SOME UNITS
- ⚠ S19 IS USED ON HEAT PUMP APPLICATIONS ONLY
- ⚠ REMOVE JUMPER PLUG WHEN FIELD INSTALLING ELECTRIC HEAT

← DENOTES OPTIONAL COMPONENTS

DESIGNATION	VOLTAGE
Y	208-230 / 60 / 3
G	460 / 60 / 3
J	575 / 60 / 3

11/15		ENERGENCE B-BOX WIRING DIAGRAM	11/15
		537688-01	
HEATING-ELECTRIC			
SCR ELECTRIC HEAT - THIRD PARTY CONTROLLED			
7.5, 15, 22.5, 30, 45, 60 - G, J			
SECTION A			REV. 1
Supersedes		New Form No.	
		537688-01	