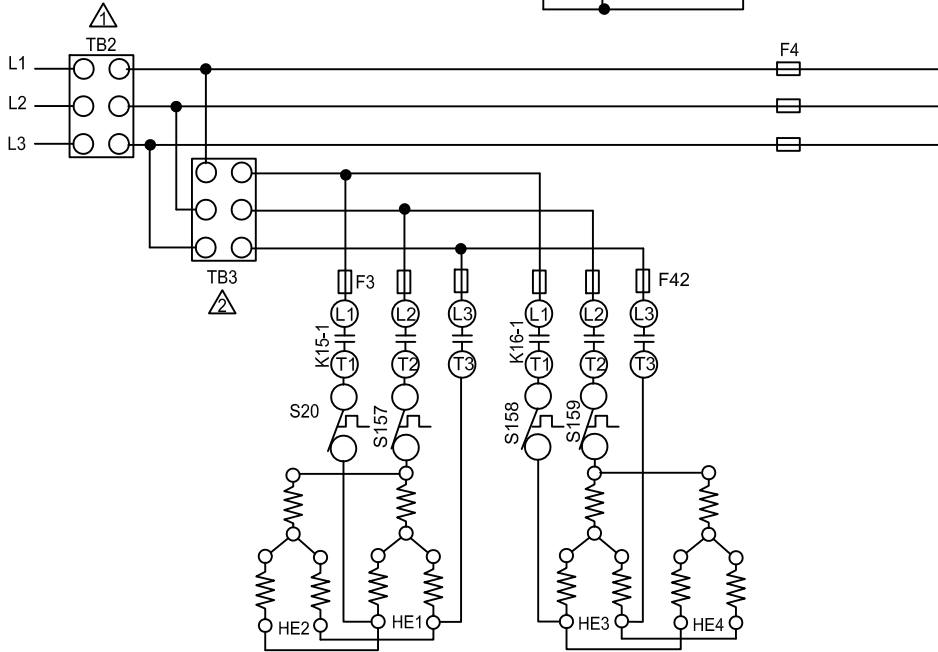
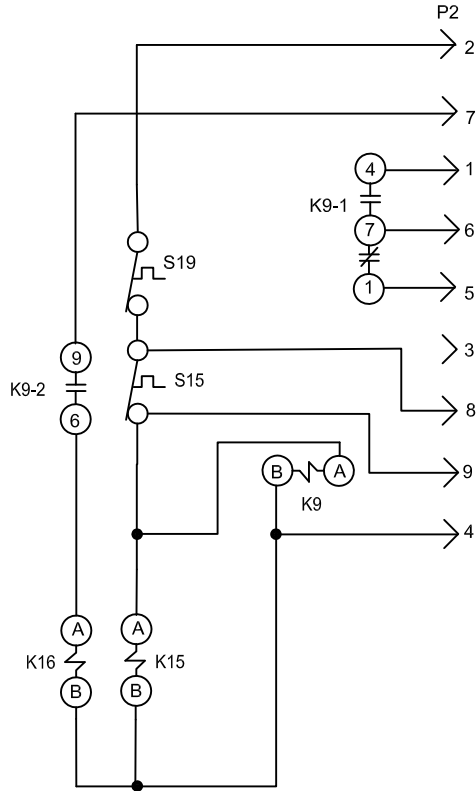


KEY	COMPONENT
F3	FUSE-ELECTRIC HEAT
F4	FUSE-UNIT
F42	FUSE-ELECTRIC HEAT 2
HE1	ELEMENT-ELECTRIC HEAT 1
HE2	ELEMENT-ELECTRIC HEAT 2
HE3	ELEMENT-ELECTRIC HEAT 3
HE4	ELEMENT-ELECTRIC HEAT 4
K9,-1, 2	RELAY-HEAT
K15,-1	CONTACTOR-ELECTRIC HT 1
K16,-1	CONTACTOR-ELECTRIC HT 2
P2	PLUG-HEAT
S15	SWITCH LIMIT, PRIMARY, ELECT HT
S19	THERMOSTAT-ELECTRIC HEAT LIMIT
S20	SWITCH-LIMIT, SECONDARY ELECT HT 1 (NO RESET)
S157	SWITCH LIMIT, SECONDARY ELECT HT 2 (NO RESET)
S158	SWITCH LIMIT, SECONDARY ELECT HT 3 (NO RESET)
S159	SWITCH LIMIT, SECONDARY ELECT HT 4 (NO RESET)
TB2	TERMINAL STRIP-UNIT
TB3	TERMINAL STRIP-ELECTRIC HEAT

- ⚠ TB2,S48 OR CB10 MAY BE USED
- ⚠ TB3 IS USED ON SOME UNITS



KW	HE1	HE2	HE3	HE4
7.5	7.5			
15	15			
22.5	15		7.5	
30	15		15	
45	15		15	15
60	15	15	15	15

04/14		WIRING DIAGRAM	04/14
		537691-01	
HEATING-ELECTRIC			
7.5, 15, 22.5, 30, 45, 60 - G, J			
SECTION A			REV. 0
Supersedes		New Form No.	
		537691-01	