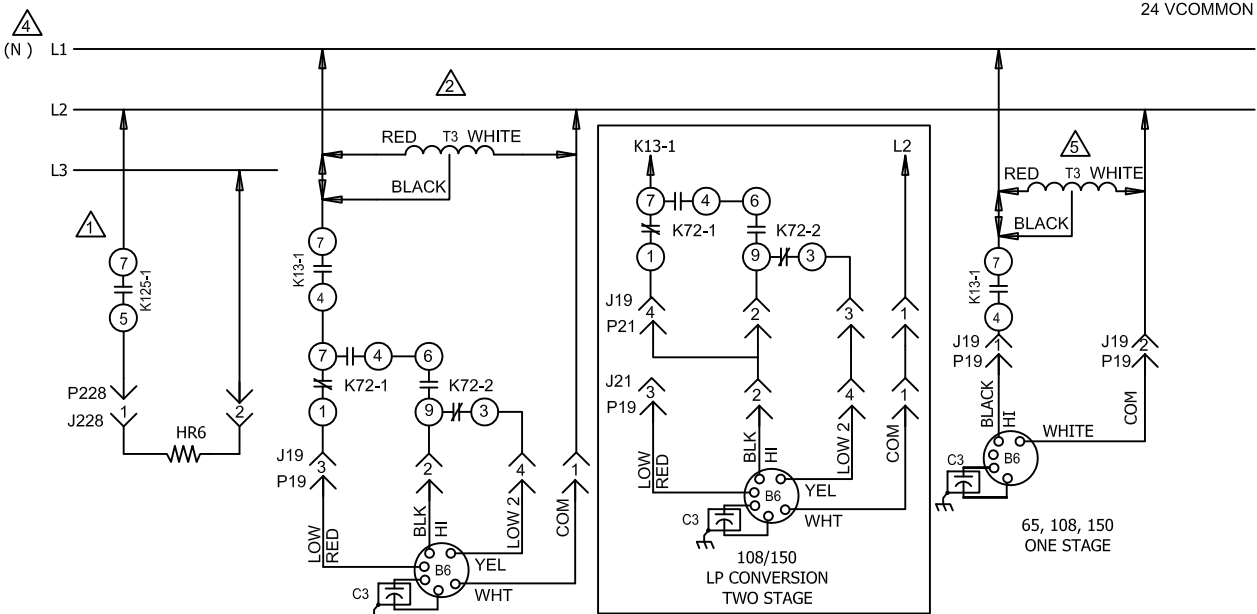
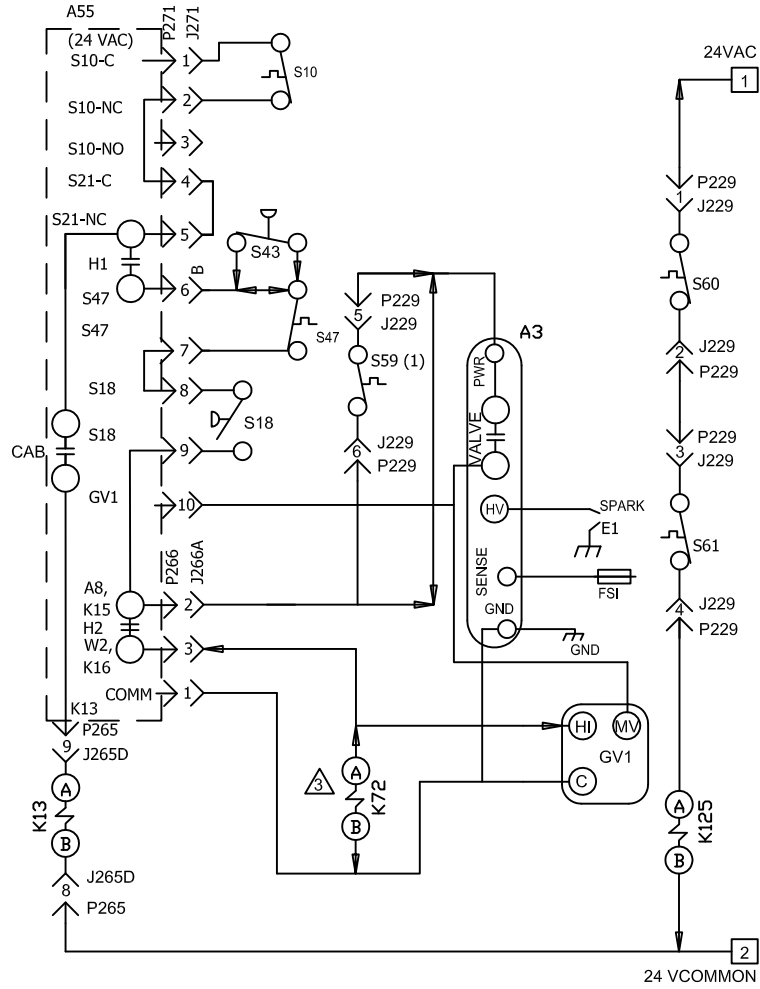


KEY	DESCRIPTION
A3	CONTROL, BURNER 1
A55	CONTROL, MAIN BOARD LENNOX
B6	MOTOR, COMBUSTION AIR BLOWER
C3	CAPACITOR, COMB AIR BLOWER 1
E1	SPARK
FS1	SENSOR, FLAME
GV1	VALVE, GAS 1
HR6	HEATER, -50C LOW AMBIENT KIT
K13,-1	RELAY, COMBUSTION AIR BLOWER
K72,-1,2	RELAY, GAS 3
K125,-1	RELAY, HEAT SHUT OFF
S10	SWITCH, LIMIT PRIMARY GAS
S18	SWITCH, COMBUSTION AIR PROVE 1
S43	SWITCH, LOW GAS PRESSURE
S47	SWITCH FLAME ROLLOUT BURNER
S59	TSTAT, OPEN -20F, CLOSE 10F
S60	TSTAT, OPEN 20F, CLOSE -10F
S61	TSTAT, OPEN 50F, CLOSE 20F
T3	TRANSFORMER COMB AIR BWR 1

J/P	DESCRIPTION
19	COMBUSTION AIR BLOWER 1
21	COMBUSTION AIR BLOWER 2
228	VESTIBULE HEATER
229	VESTIBULE HEATER CONTROL 1
265D	CONTACTOR RELAY
266A	HEATING CONTROL STG 1
271A,B	HEATING SENSORS STG 1



- ⚠ CSA (-50C) LOW AMBIENT KIT (OPTIONAL)
- ⚠ T3 USED ON 460V AND 575 V UNITS ONLY
- ⚠ K72 AND GV1 2STG ARE USED ON TWO STAGE UNITS.
- ⚠ CONNECT TO (N) ON 380/420V UNITS ONLY
- ⚠ T3 USED ON 575V UNITS ONLY

← DENOTES OPTIONAL COMPONENTS

03/16		WIRING DIAGRAM	03/16
		537704-03	
HEATING			
GAS HEAT, LGH 65 - 150			
SECTION A			REV. 0
Supersedes		New Form No.	
537704-02		537704-03	