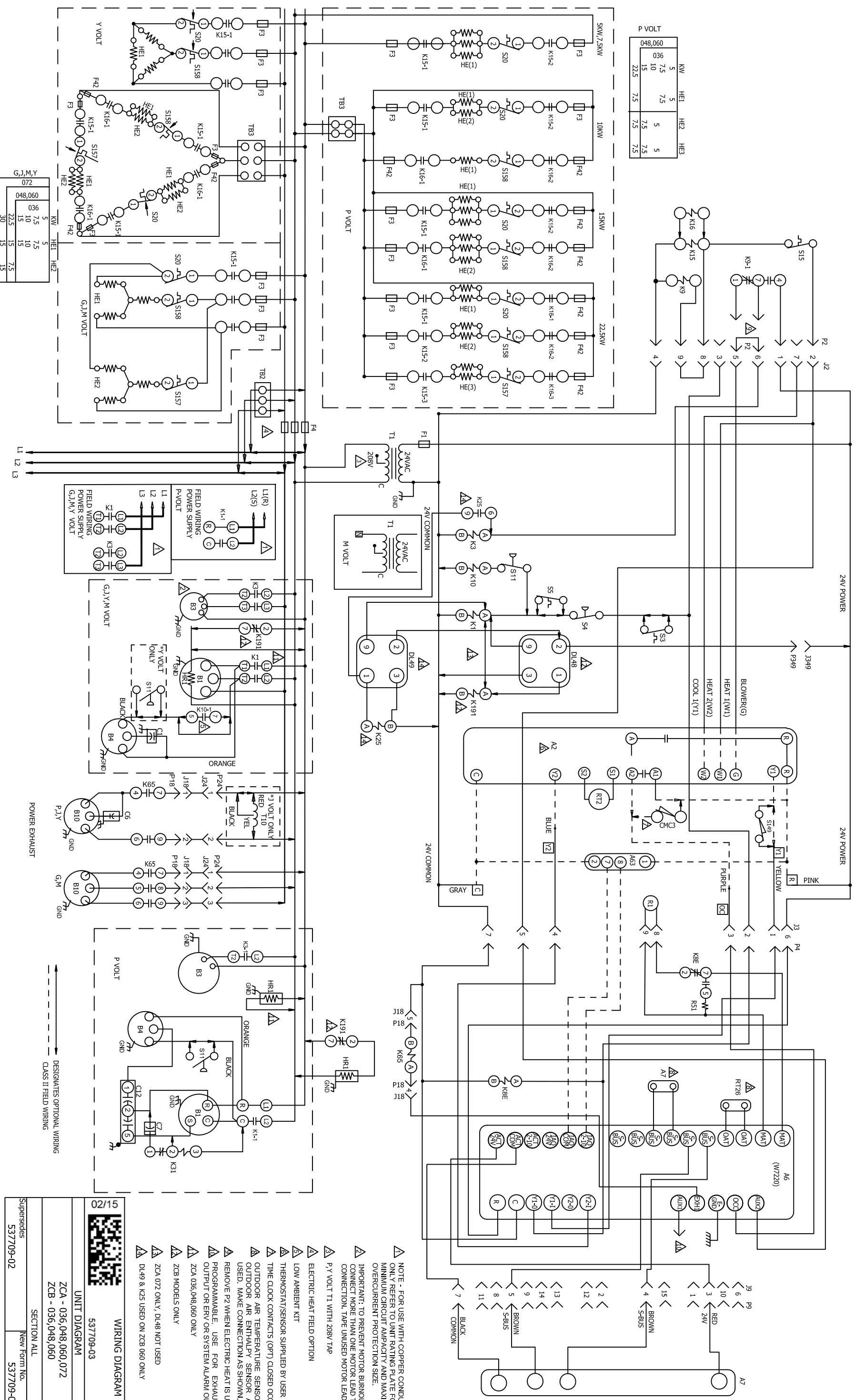
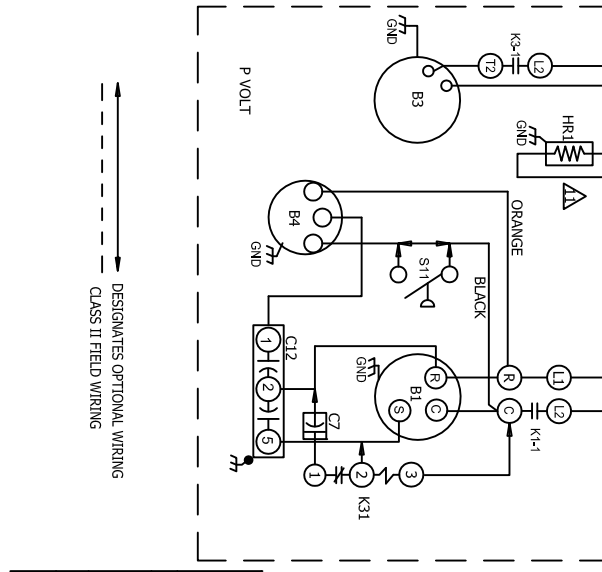
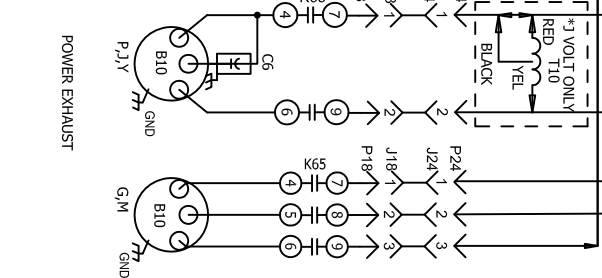
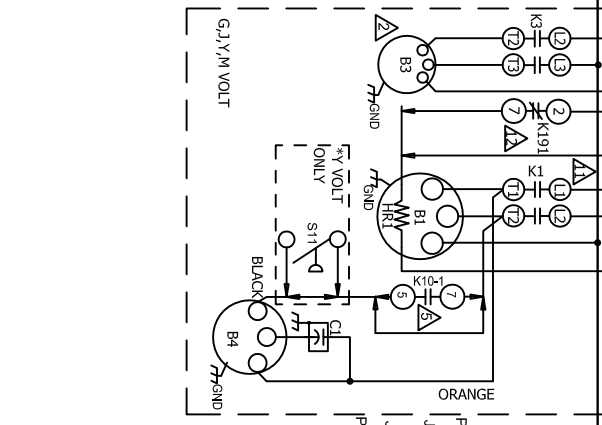
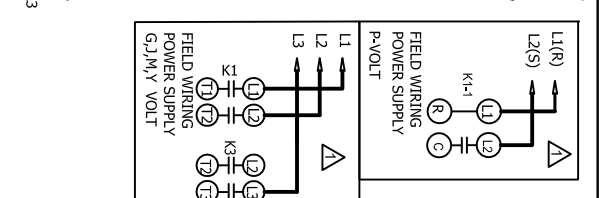


P VOLT		KW		HE1	HE2	HE3
048,060	96	7.5	7.5	5	5	5
048,060	96	10	10	10	10	10
22.5	15	15	15	15	15	15
22.5	15	7.5	7.5	7.5	7.5	7.5



G, J, M, Y		KW		HE1	HE2
072	5	7.5	7.5	5	5
048,060	036	10	10	10	10
22.5	15	15	15	15	15
22.5	15	7.5	7.5	7.5	7.5



- ▲ NOTE - FOR USE WITH COPPER CONDUCTORS ONLY REFER TO UNIT RATING PLATE FOR MINIMUM CIRCUIT CAPACITY AND MAXIMUM OVERCURRENT PROTECTION SIZE.
- ▲ IMPORTANT - TO PREVENT MOTOR BURNOUT, NEVER CONNECT MORE THAN ONE MOTOR LEAD TO ANY ONE CONNECTION. TAPE UNUSED MOTOR LEADS
- ▲ P.Y VOLT T1 WITH 208V TAP
- ▲ ELECTRIC HEAT FIELD OPTION
- ▲ LOW AMBIENT KIT
- ▲ THERMOSTAT/SENSOR SUPPLIED BY USER
- ▲ TIME CLOCK CONTACTS (OPT) CLOSED OCCUPIED
- ▲ OUTDOOR AIR TEMPERATURE SENSOR RT26 OR OUTDOOR AIR ENTHALPY SENSOR AY MAY BE USED. MAKE CONNECTION AS SHOWN.
- ▲ REMOVE P2 WHEN ELECTRIC HEAT IS USED
- ▲ PROGRAMMABLE. USE FOR EXHAUST FAN 2 OUTPUT OR ERRV OR SYSTEM ALARM OUTPUT.
- ▲ ZCA 036,048,060 ONLY
- ▲ ZCB MODELS ONLY
- ▲ ZCA 072 ONLY, DL48 NOT USED
- ▲ DL49 & K25 USED ON ZCB 060 ONLY

02/15

537709-03

WIRING DIAGRAM 02/15

UNIT DIAGRAM

ZCA - 036,048,060,072

ZCB - 036,048,060

SECTION ALL

Supersedes 537709-02

New Form No. 537709-03

REV 0