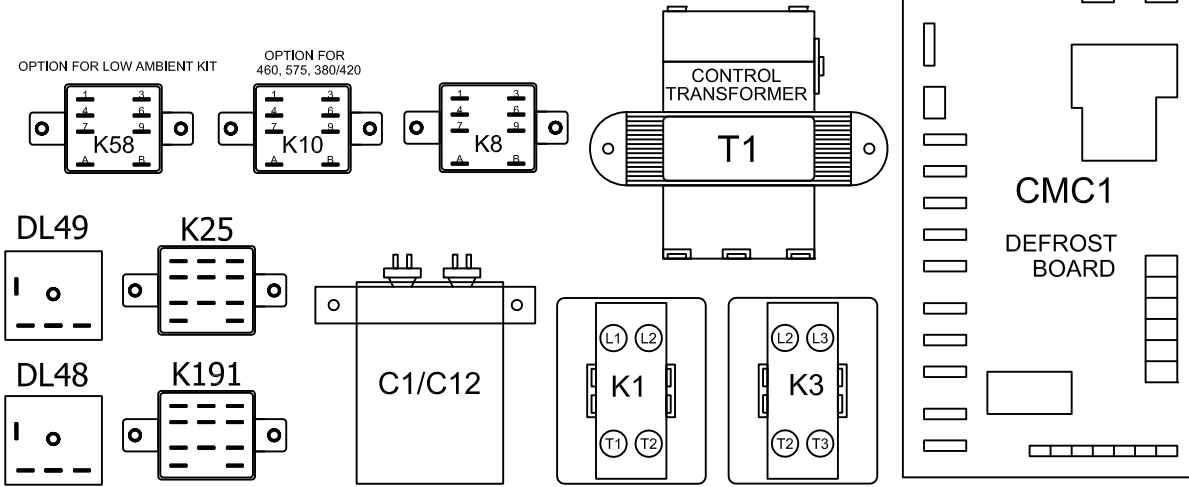


ZH_ CONTROL BOX ARRANGEMENT



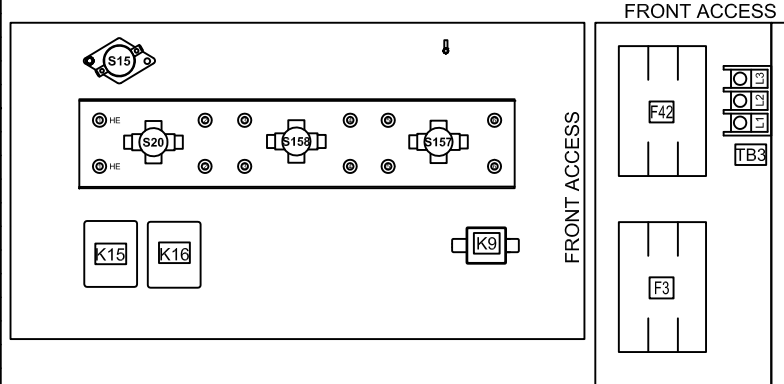
KEY LIST

KEY	COMPONENT
A2	ELECTRONIC SENSOR
A6	SOLID STATE ENTHALPY CONTROL
A7	SOLID STATE ENTHALPY SENSOR
A63	CO2 SENSOR (IAQ)
B1	COMPRESSOR 1
B3	BLOWER MOTOR
B4	OUTDOOR FAN MOTOR
B7	ECONOMIZER OR DAMPER MOTOR
B10	EXHAUST FAN MOTOR
C1	OUTDOOR FAN CAPACITOR
C6	CAPACITOR, EXHAUST FAN 1
C7	COMPRESSOR HARD START CAPACITOR
C12	DUAL CAPACITOR
CMC1	DEFROST TIMER
CMC3	TIME CLOCK
DL48	DELAY, CRANKCASE HEATER
DL49	DELAY, BLOWER
F1	TRANSFORMER 1 FUSE
F3	ELECTRIC HEAT 1 FUSE
F4	UNIT FUSE
F42	ELECTRIC HEAT 2 FUSE
HE1	ELECTRIC HEAT ELEMENT 1
HE2	ELECTRIC HEAT ELEMENT 2
HE3	ELECTRIC HEAT ELEMENT 3
HR1	HEATER, COMPRESSOR 1
K1	COMPRESSOR CONTACTOR
K3	BLOWER CONTACTOR
K8	TRANSFER RELAY
K8E	TRANSFER RELAY, ECONOMIZER
K9	HEAT RELAY
K10	OUTDOOR FAN RELAY
K15	ELECTRIC HEAT 1 CONTACTOR
K16	ELECTRIC HEAT 2 CONTACTOR
K25	RELAY, BLOWER DELAY
K31	HARD START RELAY
K58	LOW AMBIENT RELAY
K65	EXHAUST FAN RELAY
K191	RELAY, CRANKCASE HEATER
L1	REVERSING VALVE
R1	MIXED AIR OR SUPPLY SENSOR
R2	MINIMUM POSITION POTENTIAMETER
R51	RESISTER, MAT BYPASS
RT2	REMOTE THERMOSTAT SENSOR
RT26	SENSOR, OUTDOOR AIR TEMP
S3	LOW DISCHARGE TEMP LIMIT, COMPRESSOR 1
S4	HIGH PRESSURE LIMIT, COMPRESSOR 1
S5	HIGH TEMPERATURE LIMIT, COMPRESSOR 1
S6	DEFROST SWITCH
S11	LOW AMBIENT LOW PRESSURE SWITCH
S15	ELECTRIC HEAT 1 PRIMARY LIMIT
S20	ELECTRIC HEAT 1 SECONDARY LIMIT
S40	CRANKCASE THERMOSTAT

S149	OVERFLOW SWITCH
S157	ELECTRIC HEAT 2 SECONDARY LIMIT
S158	ELECTRIC HEAT 3 SECONDARY LIMIT
S175	SENSIBLE (55-70) TEMPERATURE THERMOSTAT
T1	TRANSFORMER, CONTROL
T10	EXHAUST FAN TRANSFORMER
TB2	UNIT TERMINAL STRIP
TB3	ELECTRIC HEAT 1 TERMINAL STRIP

J/P #	JACK/PLUG DESCRIPTION
2	HEAT
3	ECONOMIZER
4	ECONOMIZER
9	ECONOMIZER
18	EXHAUST FAN
24	EXHAUST FAN
39	CONTROL INTERFACE
349	DELAY TIMER POWER

ELECTRIC HEAT SECTION



01/15		WIRING DIAGRAM	01/15
		537714-02	
KEY LIST			
ZH_ KEY LIST AND COMPONENT ARRANGEMENT			
Supersedes			REV. 0
537714-01		Form No.	537714-02