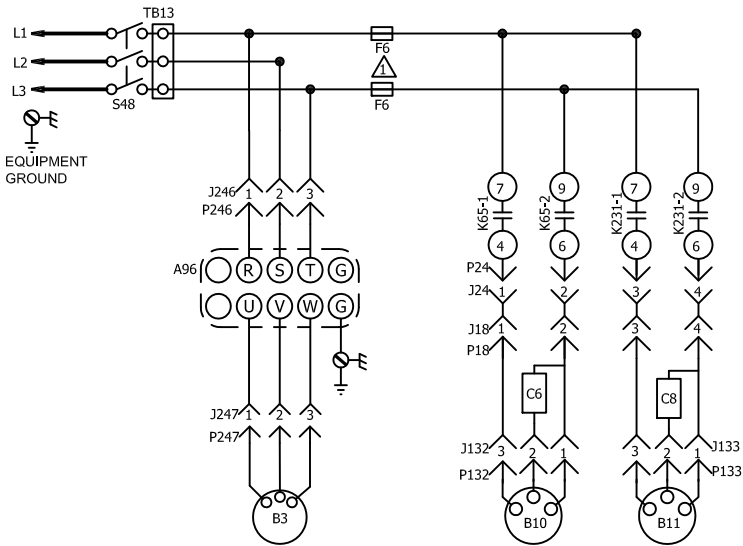


KEY	COMPONENT
A55	PANEL, MAIN CONTROL
A96	CONTROL, INVERTER
B3	MOTOR, BLOWER
B10	MOTOR, EXHAUST FAN 1
B11	MOTOR, EXHAUST FAN 2
C6	CAPACITOR, EXHAUST FAN 1
C8	CAPACITOR, EXHAUST FAN 2
F6	FUSE, EXHAUST FAN
K65	RELAY, EXHAUST FAN
K203	RELAY, INVERTER START FWD ROTATION
K231	RELAY, EXHAUST FAN 2
S48	SWITCH, DISCONNECT
TB13	TERMINAL STRIP, POWER DISTRIBUTION

J/P	JACK/PLUG DESCRIPTION
18	POWER EXHAUST HARNESS
24	POWER, RELAY TO EXHAUST FANS
132	POWER TO EXHAUST FAN MOTOR 1
133	POWER TO EXHAUST FAN MOTOR 2
246	POWER TO VFD
247	POWER, VFD TO MTR
248	VFD CONTROL
259	BLOWER ECM MOTOR
265	A55 TO CONTACTORS AND RELAYS

⚠ F6 FUSES ARE USED ON 240/300 Y-VOLT UNITS WITH FACTORY INSTALLED POWER EXHAUST AND ON ALL Y-VOLT UNITS WITH FIELD INSTALLED POWER EXHAUST



07/14		WIRING DIAGRAM	07/14
		537718-01	
COOLING			
MSAV BLOWER-NO BYPASS			
SECTION B3			REV. 0
Supersedes		New Form No. 537718-01	