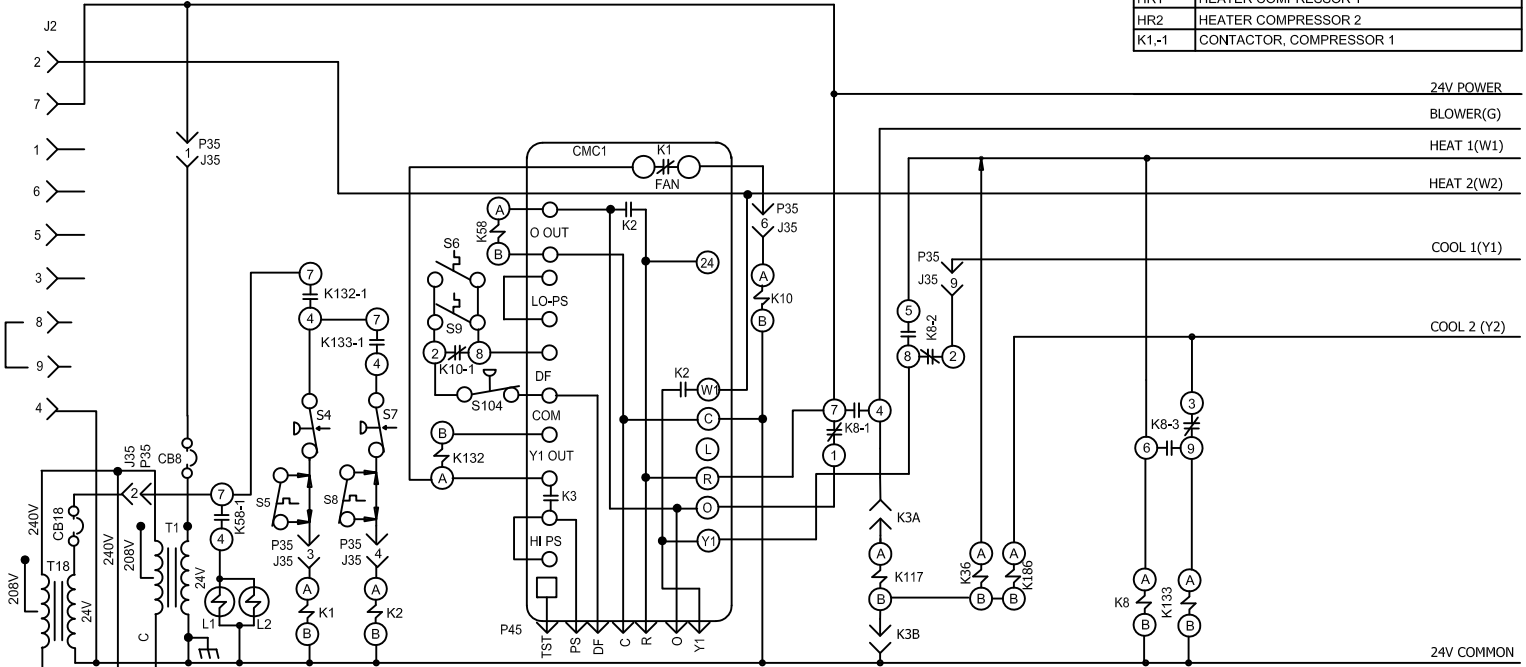


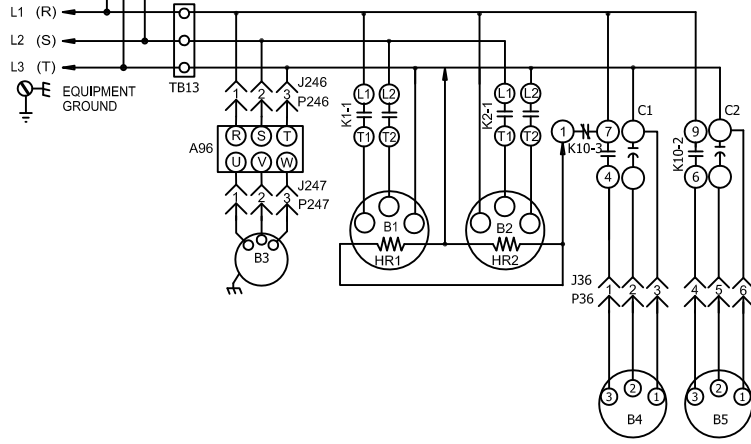
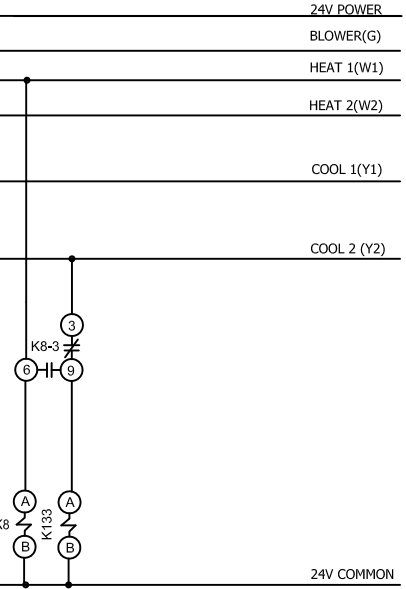
KEY	COMPONENT
A96	CONTROL, INVERTER
B1	COMPRESSOR 1
B2	COMPRESSOR 2
B3	MOTOR, BLOWER
B4	MOTOR, OUTDOOR FAN 1
B5	MOTOR, OUTDOOR FAN 2
C1	CAPACITOR, OUTDOOR FAN 1
C2	CAPACITOR, OUTDOOR FAN 2
CMC1	TIMER, DEFROST
HR1	HEATER COMPRESSOR 1
HR2	HEATER COMPRESSOR 2
K1-1	CONTACTOR, COMPRESSOR 1



NOTE - IF ANY WIRE IN THIS APPLIANCE IS REPLACED IT MUST BE REPLACED WITH WIRE OF LIKE SIZE, RATING, TERMINATION AND INSULATION THICKNESS

WARNING - ELECTRIC SHOCK HAZARD, CAN CAUSE INJURY OR DEATH UNIT MUST BE GROUNDED IN ACCORDANCE WITH NATIONAL AND LOCAL CODES

DISCONNECT ALL POWER BEFORE SERVICING.



K2,-1	CONTACTOR, COMPRESSOR 2
K8,-1,2,3	RELAY, DEFROST
K10,-1,2,3	RELAY, OUTDOOR FAN
K36	RELAY, HEAT BLOWER
K58-1	RELAY, REVERSING VALVE
K117	RELAY, BLOWER CONTROL
K132,-1	RELAY, COMPRESSOR 1 ON
K133,-1	RELAY, COMPRESSOR 2 ON
K186	RELAY, COOL BLOWER
L1	VALVE, REVERSING 1
L2	VALVE, REVERSING 2
S4	SWITCH, LIMIT HI PRESS COMP 1
S5	SWITCH, LIMIT HI TEMP COMP 1
S6	SWITCH, DEFROST COMPR 1
S7	SWITCH, LIMIT HI PRESS COMP 2
S8	SWITCH, LIMIT HI TEMP COMP 2
S9	SWITCH, DEFROST COMPRESSOR 2
S48	SWITCH, DISCONNECT
S104	SWITCH, DEFROST PRESS., COMP 2
T1	TRANSFORMER, CONTROL
T18	TRANSFORMER
TB2	TERMINAL STRIP, UNIT
TB13	TERMINAL STRIP, POWER DISTRIBUTION

J/P	JACK/PLUG DESCRIPTION
2	HEAT
35	TEST HEAT
36	TEST COOL
246	POWER TO VFD
247	VFD TO MTR
248	VFC CONTROL

NOTE - FOR USE WITH COPPER CONDUCTORS ONLY REFER TO UNIT RATING PLATE FOR MINIMUM CIRCUIT AMPACITY AND MAXIMUM OVERCURRENT PROTECTION SIZE.

TB2 IS USED ON "M" VOLTAGE UNITS ONLY

mitsubishi vfd

S42 USED ON "M" VOLTAGE UNITS AND UNITS WITH HIGH EFFICIENCY MOTORS

← DENOTES OPTIONAL COMPONENTS
 — LINE VOLTAGE FIELD INSTALLED

07/14		WIRING DIAGRAM	07/14
		537723-01	
HEAT PUMP - MSAV			
ZHA - 092, 102, 120 - G, J, M, Y			
SECTION B			REV. 0
Supersedes		New Form No. 537723-01	