

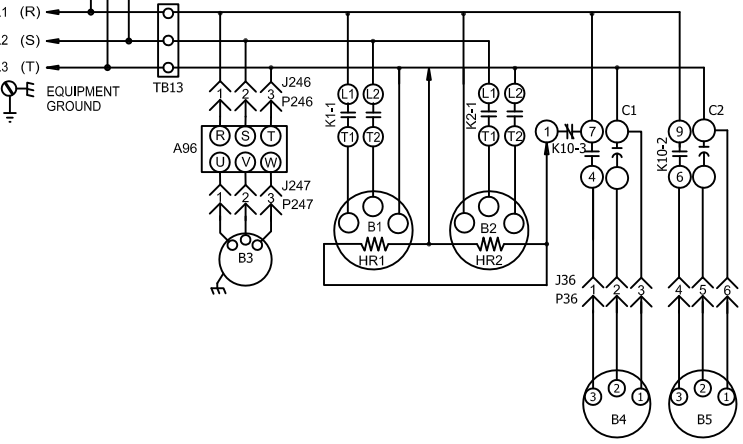
KEY	COMPONENT
A96	CONTROL, INVERTER
B1	COMPRESSOR 1
B2	COMPRESSOR 2
B3	MOTOR, BLOWER
B4	MOTOR, OUTDOOR FAN 1
B5	MOTOR, OUTDOOR FAN 2
C1	CAPACITOR, OUTDOOR FAN 1
C2	CAPACITOR, OUTDOOR FAN 2
CMC1	TIMER, DEFROST
HR1	HEATER COMPRESSOR 1
HR2	HEATER COMPRESSOR 2
K1-1	CONTACTOR, COMPRESSOR 1

NOTE - IF ANY WIRE IN THIS APPLIANCE IS REPLACED IT MUST BE REPLACED WITH WIRE OF LIKE SIZE, RATING, TERMINATION AND INSULATION THICKNESS

WARNING - ELECTRIC SHOCK HAZARD, CAN CAUSE INJURY OR DEATH UNIT MUST BE GROUNDED IN ACCORDANCE WITH NATIONAL AND LOCAL CODES

DISCONNECT ALL POWER BEFORE SERVICING.

K2,-1	CONTACTOR, COMPRESSOR 2
K8,-1,2,3	RELAY, DEFROST
K10,-1,2,3	RELAY, OUTDOOR FAN
K36	RELAY, HEAT BLOWER
K58-1,2	RELAY, REVERSING VALVE
K117	RELAY, BLOWER CONTROL
K132,-1	RELAY, COMPRESSOR 1 ON
K133,-1	RELAY, COMPRESSOR 2 ON
K186	RELAY, COOL BLOWER
L1	VALVE, REVERSING 1
L2	VALVE, REVERSING 2
S4	SWITCH, LIMIT HI PRESS COMP 1
S5	SWITCH, LIMIT HI TEMP COMP 1
S6	SWITCH, DEFROST COMP 1
S7	SWITCH, LIMIT HI PRESS COMP 2
S8	SWITCH, LIMIT HI TEMP COMP 2
S9	SWITCH, DEFROST COMPRESSOR 2
S11	SWITCH, LOW PRESS, LOW AMBIENT KIT
S84	SWITCH, LOW PRESS, LOW AMBIENT KIT, COMP 2
S104	SWITCH, DEFROST PRESS, COMP 2
T1	TRANSFORMER, CONTROL
T18	TRANSFORMER
TB2	TERMINAL STRIP, UNIT
TB13	TERMINAL STRIP, POWER DISTRIBUTION



J/P	JACK/PLUG DESCRIPTION
2	HEAT
35	TEST HEAT
36	TEST COOL
246	POWER TO VFD
247	VFD TO MTR
248	VFC CONTROL

NOTE - FOR USE WITH COPPER CONDUCTORS ONLY REFER TO UNIT RATING PLATE FOR MINIMUM CIRCUIT AMPACITY AND MAXIMUM OVERCURRENT PROTECTION SIZE.

TB2 IS USED ON "M" VOLTAGE UNITS ONLY

mitsubishi vfd

← DENOTES OPTIONAL COMPONENTS
 — LINE VOLTAGE FIELD INSTALLED

08/14		WIRING DIAGRAM	08/14
		537723-01	
HEAT PUMP - MSAV			
ZHA - 092, 102, 120 - G, J, M, Y			
SECTION B			REV. 0
Supersedes		New Form No. 537723-01	