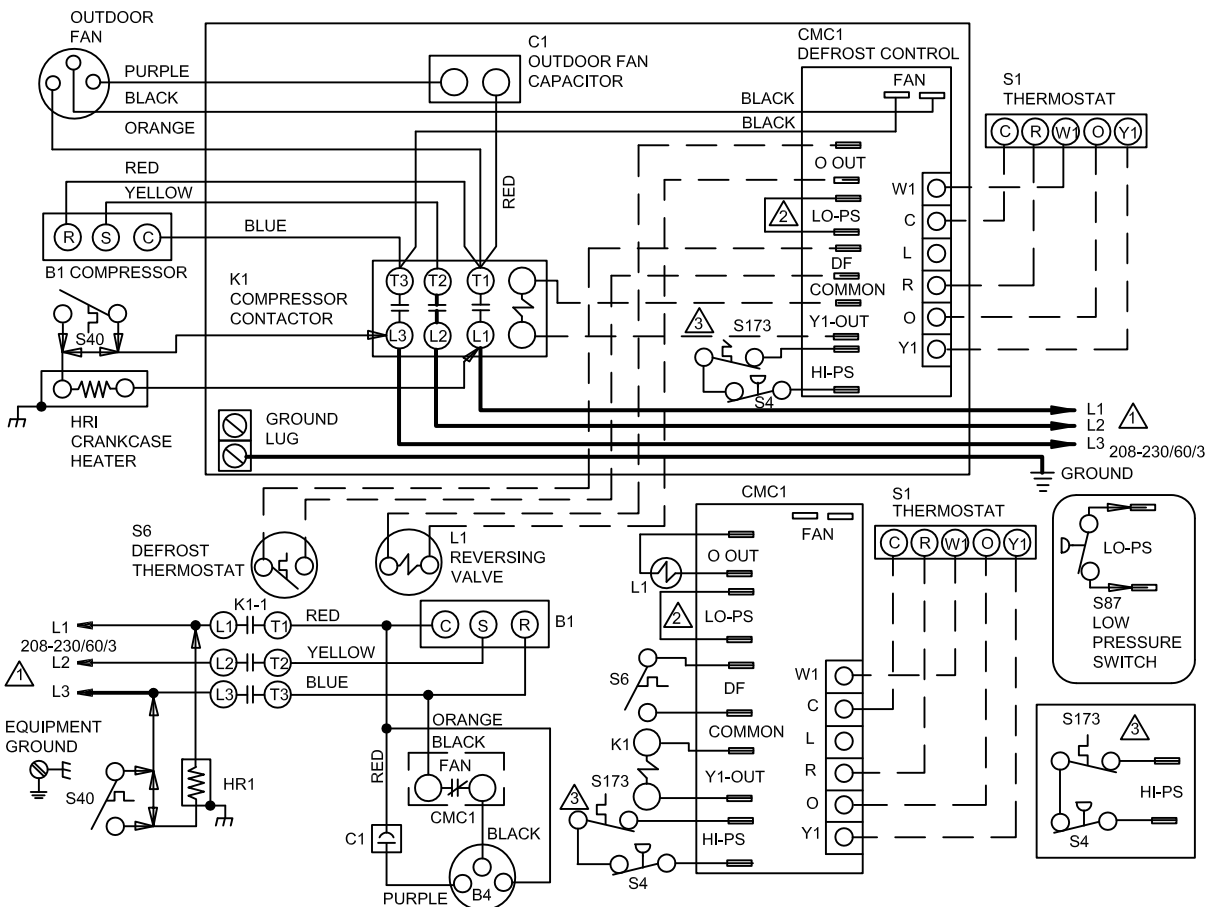


Cut size: 6-3/4" X 7-3/4"



- ⚠ NOTE-FOR USE WITH COPPER CONDUCTORS ONLY. REFER TO UNIT RATING PLATE FOR MINIMUM CIRCUIT AMPACITY AND MAXIMUM OVERCURRENT PROTECTION SIZE
- ⚠ CONNECTION MUST BE JUMPERED WHEN OPTIONAL SWITCH IS NOT USED.
- ⚠ S173 SWITCH USED ONLY IN UNITS EQUIPPED WITH COMPRESSORS WHICH DO NOT INCLUDE INTERNAL SWITCH

WARNING-
ELECTRICAL SHOCK HAZARD. CAN CAUSE INJURY OR DEATH. UNIT MUST BE GROUND IN ACCORDANCE WITH NATIONAL CODES.

— LINE VOLTAGE FIELD INSTALLED
 - - - CLASS II VOLTAGE FIELD WIRING
 ← DENOTES OPTIONAL COMPONENTS

KEY	DESCRIPTION	COMPONENT
B1	COMPRESSOR	
B4	MOTOR-OUTDOOR FAN	
C1	CAPACITOR-OUTDOOR FAN	
CMC1	CONTROL-DEFROST	
HR1	HEATER-COMPRESSOR	
K1,-1	CONTACTOR-COMPRESSOR	
K10,-1	RELAY-OUTDOOR FAN	
L1	VALVE-REVERSING	
S4	SWITCH-LIMIT HI PRESSURE	
S6	SWITCH-DEFROST	
S40	TERMOSTAT-CRANKCASE	
S87	SWITCH-LOW PRESS	
S173	SWITCH-THERMAL PROTECTION	

0414		Form No. 537728-01	Supersedes
------	---	------------------------------	------------