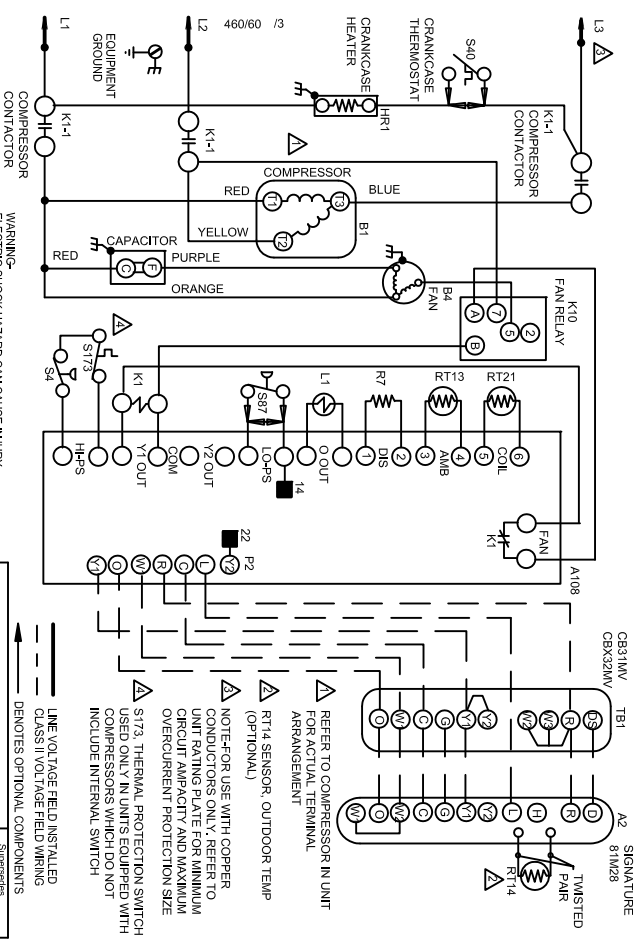
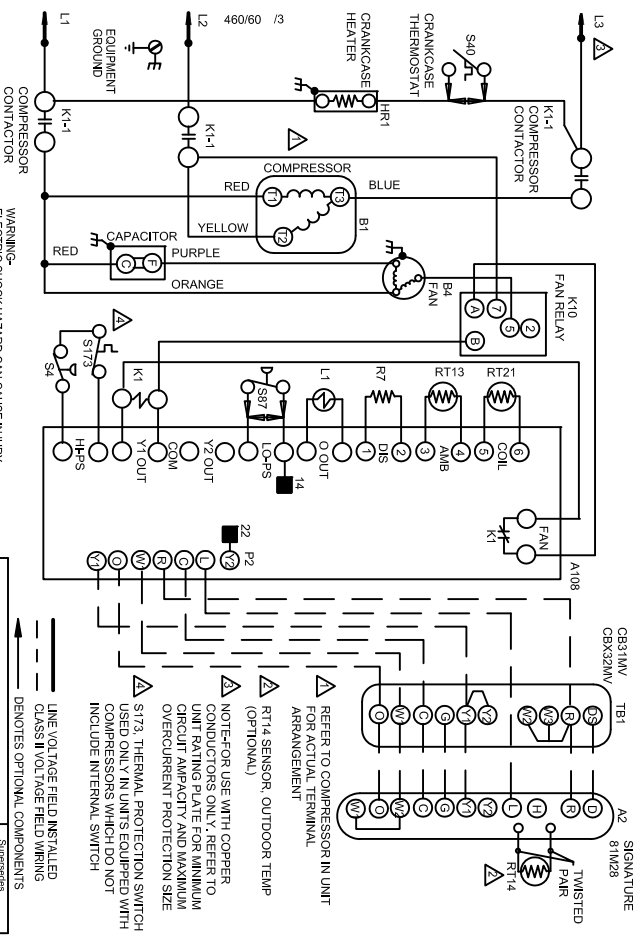
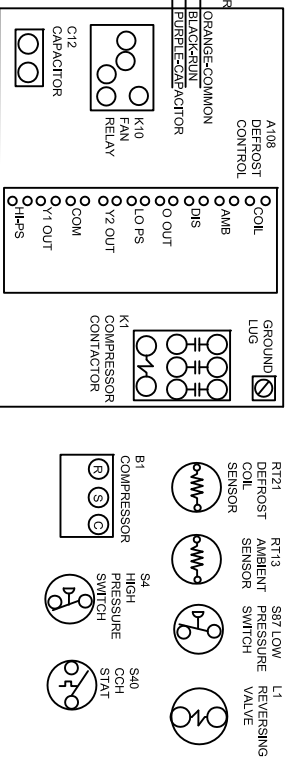
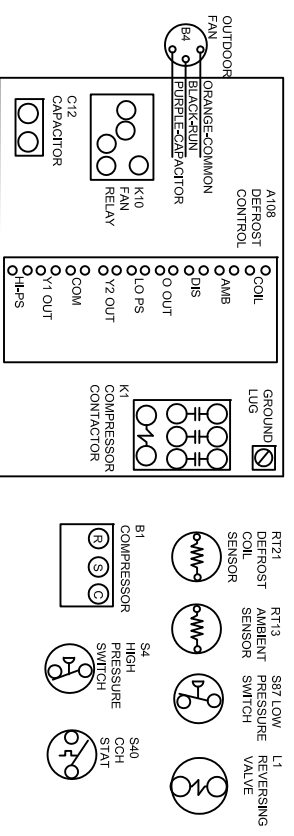


cut size: 5-1/2" X 6-1/2"



Form No. 537730-01

0414

Supersedes

LINE VOLTAGE FIELD INSTALLED CLASS II VOLTAGE FIELD WIRING DENOTES OPTIONAL COMPONENTS

© 2007

Line U.S.A.

Form No. 537730-01

0414

Supersedes

LINE VOLTAGE FIELD INSTALLED CLASS II VOLTAGE FIELD WIRING DENOTES OPTIONAL COMPONENTS

© 2007

Line U.S.A.