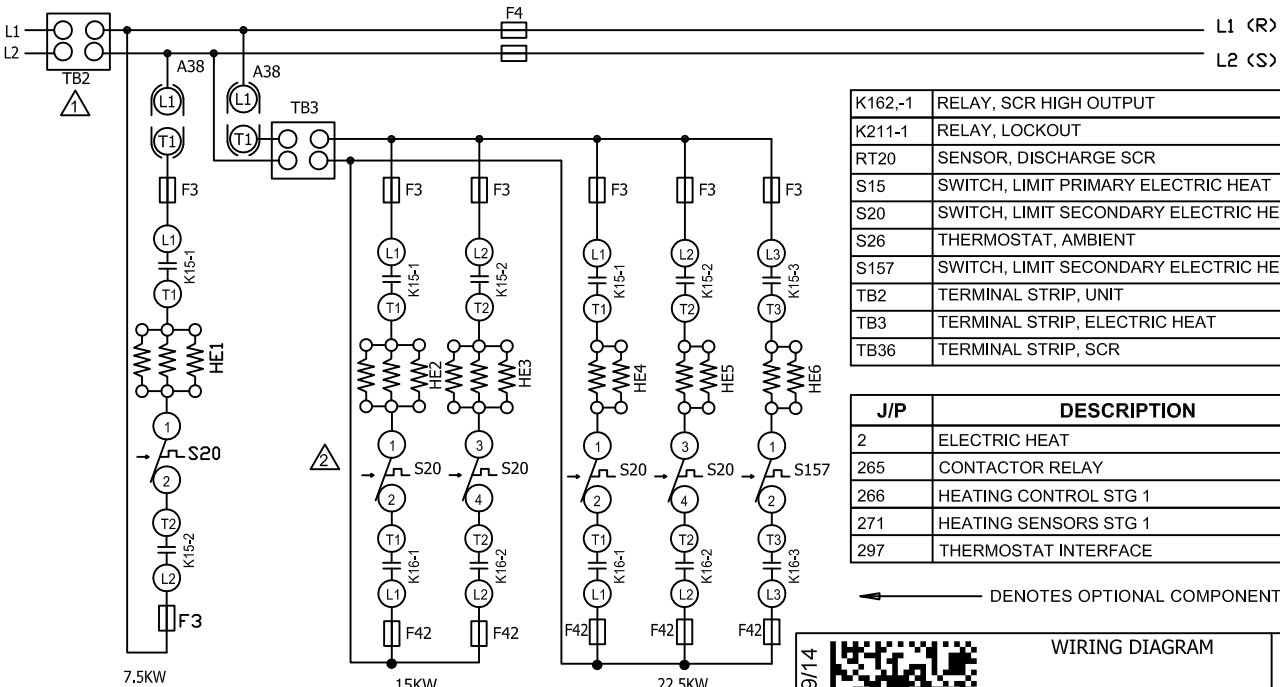


		SCR AMPS								
		KW	HE1	HE2	HE3	HE4	HE5	HE6	208V	240V
060	036	7.5	7.5						30	50
	-048	15		7.5	7.5				75	75
		22.5				7.5	7.5	7.5	90	135

A38	CONTROL, SCR ELECTRIC HEAT
A55	PANEL, MAIN
A104	THERMOSTAT, SUPPLY AIR
F3	FUSE, ELECTRIC HEAT
F4	FUSE, UNIT
HE -1	ELEMENT, ELECTRIC HEAT 1
HE -2	ELEMENT, ELECTRIC HEAT 2
HE -3	ELEMENT, ELECTRIC HEAT 3
HE -4	ELEMENT, ELECTRIC HEAT 4
HE -5	ELEMENT, ELECTRIC HEAT 5
HE -6	ELEMENT, ELECTRIC HEAT 6
K15,-1,2,3	CONTACTOR, ELECTRIC HEAT 1
K16,-1,2,3	CONTACTOR, ELECTRIC HEAT 2
K161,-1	RELAY, SCR INTERRUPT



K162,-1	RELAY, SCR HIGH OUTPUT
K211-1	RELAY, LOCKOUT
RT20	SENSOR, DISCHARGE SCR
S15	SWITCH, LIMIT PRIMARY ELECTRIC HEAT
S20	SWITCH, LIMIT SECONDARY ELECTRIC HEAT 1
S26	THERMOSTAT, AMBIENT
S157	SWITCH, LIMIT SECONDARY ELECTRIC HEAT 2
TB2	TERMINAL STRIP, UNIT
TB3	TERMINAL STRIP, ELECTRIC HEAT
TB36	TERMINAL STRIP, SCR

J/P	DESCRIPTION
2	ELECTRIC HEAT
265	CONTACTOR RELAY
266	HEATING CONTROL STG 1
271	HEATING SENSORS STG 1
297	THERMOSTAT INTERFACE

← DENOTES OPTIONAL COMPONENTS

DESIGNATION	VOLTAGE
Y	208-230/60/3
G	460/60/3
J	575/60/3
M	380-420/50/3
P	208-230/60/1

- ⚠ TB2, S48 OR CB10 MAY BE USED
- ⚠ S20 LIMIT ON "A" BOX UNITS IS RESETTABLE
- ⚠ K211 USED WITH HUMIDITROL CONTROL

09/14	WIRING DIAGRAM	09/14
537732-02		
HEATING - SCR		
ELECTRIC HEAT FOR EMERGENCE E1EH - 7.5, 15, 22.5 - P		
SECTION A		REV. 0
Supersedes	New Form No.	537732-02