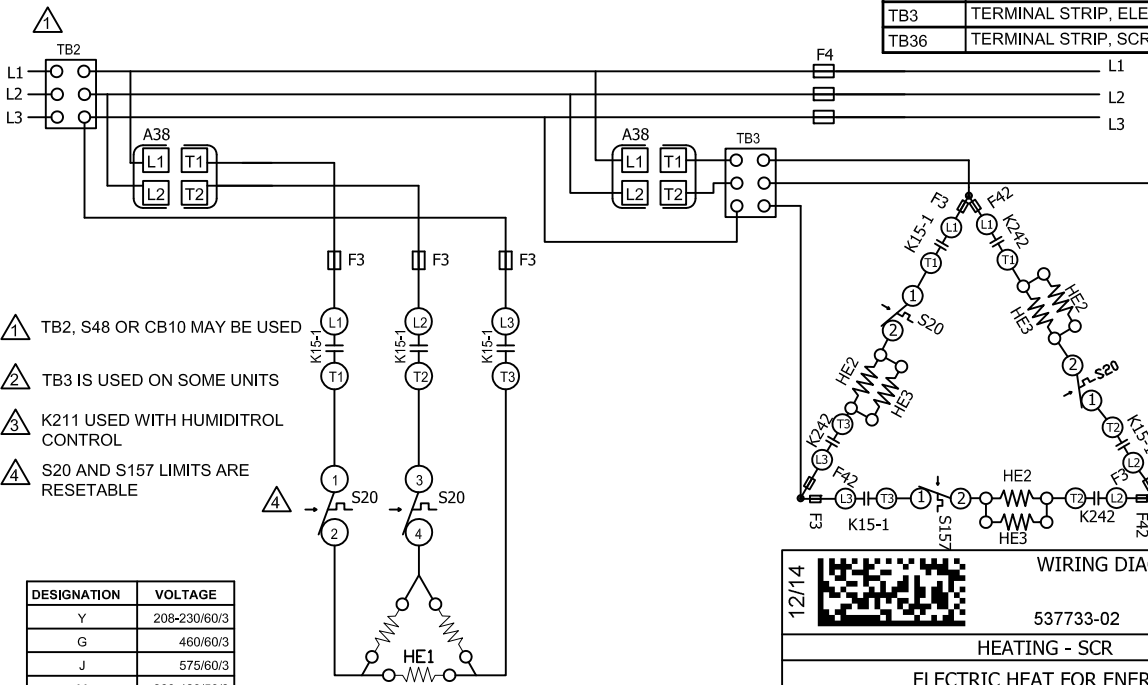


A AND B UNITS

| KW | HEATING ELEMENTS | | | SCR AMPS | |
|------|------------------|-----|-----|----------|------|
| | HE1 | HE2 | HE3 | 208V | 240V |
| 7.5 | 7.5 | | | 30 | 30 |
| 15 | 15 | | | 40 | 40 |
| 22.5 | | 15 | 7.5 | 50 | 75 |
| 30 | | 15 | 15 | 75 | 75 |

| J/P | DESCRIPTION |
|-----|-----------------------------|
| 2 | ELECTRIC HEAT |
| 265 | PLUG, CONTACTOR RELAY |
| 266 | PLUG, HEATING CONTROL STG1 |
| 271 | PLUG, HEATING SENSORS STG 1 |
| 297 | PLUG, THERMOSTAT INTERFACE |

| | |
|---------|--------------------------------------|
| A38 | CONTROL, SCR ELECTRIC HEAT |
| A55 | PANEL, MAIN |
| A104 | THERMOSTAT, SUPPLY AIR |
| F3 | FUSE, ELECTRIC HEAT 1 |
| F4 | FUSE, UNIT |
| F42 | FUSE, ELECTRIC HEAT 2 |
| HE1 | ELEMENT, ELECTRIC HEAT 1 |
| HE2 | ELEMENT, ELECTRIC HEAT 2 |
| HE3 | ELEMENT, ELECTRIC HEAT 3 |
| K15-1 | CONTACTOR, ELECTRIC HEAT 1 |
| K161,-1 | RELAY, SCR INTERRUPT |
| K162,-1 | RELAY, SCR HIGH OUTPUT |
| K211-1 | RELAY, LOCKOUT |
| K242 | CONTACTOR, ELECTRIC HEAT 1 |
| RT20 | SENSOR, DISCHARGE SCR |
| S15 | SWITCH, LIMIT PRIMARY ELECTRIC HEAT |
| S20 | SWITCH, LIMIT SECONDARY ELEC. HEAT 1 |
| S26 | THERMOSTAT, AMBIENT |
| S157 | SWITCH, LIMIT SECONDARY ELEC. HEAT 2 |
| TB2 | TERMINAL STRIP, UNIT |
| TB3 | TERMINAL STRIP, ELECTRIC HEAT |
| TB36 | TERMINAL STRIP, SCR |



- ⚠ TB2, S48 OR CB10 MAY BE USED
- ⚠ TB3 IS USED ON SOME UNITS
- ⚠ K211 USED WITH HUMIDITROL CONTROL
- ⚠ S20 AND S157 LIMITS ARE RESETTABLE

| DESIGNATION | VOLTAGE |
|-------------|--------------|
| Y | 208-230/60/3 |
| G | 460/60/3 |
| J | 575/60/3 |
| M | 380-420/50/3 |

← DENOTES OPTIONAL COMPONENTS

| | | | |
|---|--|---------------------------|-------|
| 12/14 | | WIRING DIAGRAM | 12/14 |
| | | 537733-02 | |
| HEATING - SCR | | | |
| ELECTRIC HEAT FOR EMERGENCY E1EH - 7.5, 15, 22.5, 30 - Y | | | |
| SECTION A | | | REV 0 |
| Supersedes | | New Form No. 537733-02 | |