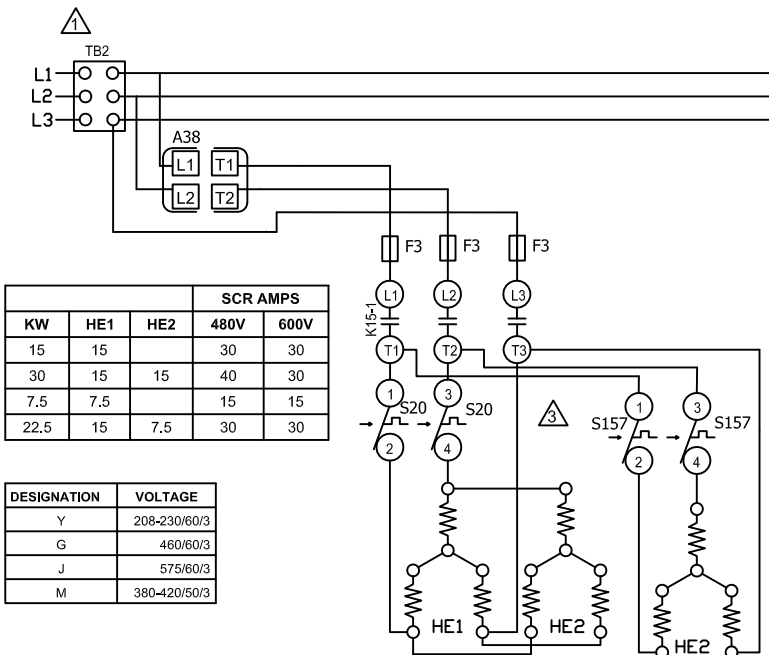


KEY	DESCRIPTION
2	ELECTRIC HEAT
265C	CONTACTOR RELAY
266A	HEATING CONTROL STG 1
271A,B	HEATING SENSORS STG 1
297	THERMOSTAT INTERFACE

KEY	DESCRIPTION
A38	CONTROL, SCR ELECTRIC HEAT
A55	PANEL, MAIN
A104	THERMOSTAT, SUPPLY AIR
F3	FUSE, ELECTRIC HEAT 1
F4	FUSE, UNIT
HE1	ELEMENT, ELECTRIC HEAT 1
HE2	ELEMENT, ELECTRIC HEAT 2
K15,-1	CONTACTOR, ELECTRIC HEAT 1
K161,-1	RELAY, SCR INTERRUPT
K162,-1	RELAY, SCR HIGH OUTPUT
K211-1	RELAY, LOCKOUT
RT20	SENSOR, DISCHARGE SCR
S15	SWITCH, LIMIT PRIMARY ELECTRIC HEAT
S20	SWITCH, LIMIT SECONDARY ELEC. HEAT 1
S26	THERMOSTAT, AMBIENT
S157	SWITCH, LIMIT SECONDARY ELEC. HEAT 2
TB2	TERMINAL STRIP, UNIT
TB36	TERMINAL STRIP, SCR



KW	HE1	HE2	SCR AMPS	
			480V	600V
15	15		30	30
30	15	15	40	30
7.5	7.5		15	15
22.5	15	7.5	30	30

DESIGNATION	VOLTAGE
Y	208-230/60/3
G	460/60/3
J	575/60/3
M	380-420/50/3

- ⚠ TB2, S48 OR CB10 MAY BE USED
- ⚠ K211 USED WITH HUMIDITROL CONTROL
- ⚠ S20, S157 LIMITS ARE RESETTABLE

← DENOTES OPTIONAL COMPONENTS

05/14	WIRING DIAGRAM	05/14
537735-01		
HEATING - SCR		
ELECTRIC HEAT SCR CONTROL FOR EMERGENCY E1EH - 7.5, 15, 22.5, 30 - G, J		
SECTION A		REV. 0
Supersedes	New Form No. 537735-01	