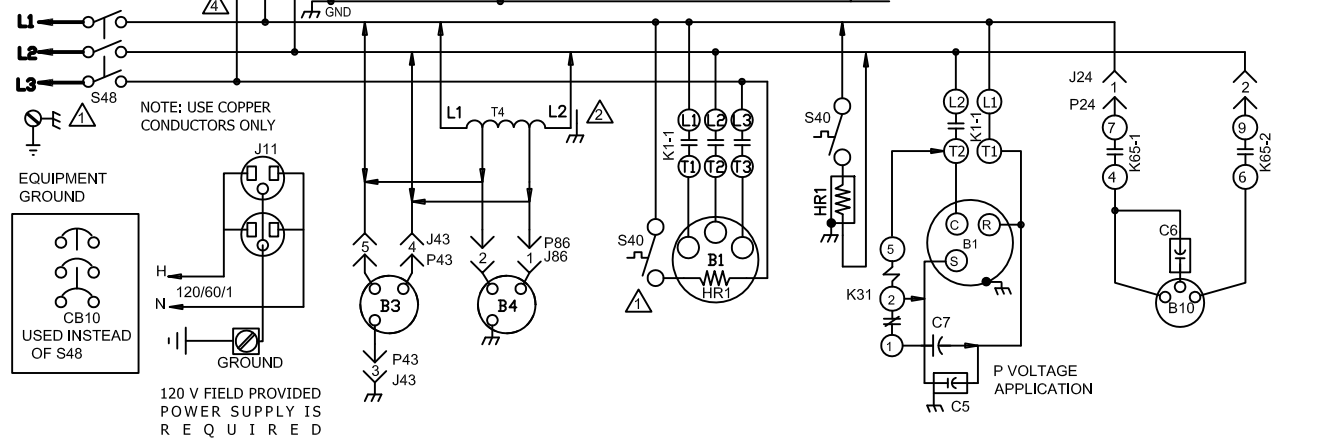


KEY	COMPONENT
A55	CONTROL, MAIN PANEL LENNOX
B1	COMPRESSOR 1
B3	MOTOR, BLOWER
B4	MOTOR, OUTDOOR FAN
B10	MOTOR, EXHAUST FAN
C5	CAPACITOR, COMPRESSOR
C6	CAPACITOR, EXHAUST FAN
C7	CAPACITOR, COMPRESSOR HARD START
CB8	CIRCUIT, BREAKER
CB10	CIRCUIT BREAKER, MAIN DISCONNECT UNIT
CB31	CIRCUIT BREAKER, TRANSFORMER T43
HR1	HEATER, COMPRESSOR
J11	JACK, GFI RECEPTICLE
K1,-1	CONTACTOR, COMPRESSOR
K31	RELAY, HARD START KIT
K65-1,2	RELAY, EXHAUST FAN
L14	VALVE, SOLENOID REHEAT COIL 1
L34	SOLENOID, TWO STAGE
PT5	PRESSURE TRANSDUCER, ECONOMIZER
R52	RESISTOR, TXV CONTROL
RT17	SENSOR, OUTDOOR AIR
S4	SWITCH, LIMIT HI PRESS
S11	SWITCH, LOW PRESS, LOW AMBIENT KIT
S16	SWITCH, HIGH PRESS, HIGH AMBIENT KIT
S40	THERMOSTAT, CRANKCASE
S48	SWITCH, DISCONNECT
S49	SWITCH, FREEZESTAT
S87	SWITCH, LOW PRESS, COMPRESSOR 1
T1	TRANSFORMER, CONTROL
T4	TRANSFORMER, BLOWER MOTOR
T43	TRANSFORMER, REHEAT



- ⚠️ USED ON G, J AND Y VOLTAGE APPLICATIONS
- ⚠️ T4 USED ONLY ON G AND J VOLTAGE UNITS
- ⚠️ EXTERNAL HUMIDITROL CONTACTS
- ⚠️ CONNECT TO L2 ON SINGLE PHASE UNITS.
- ⚠️ ONLY IN UNITS WITH HUMIDITROL OR PHASE DETECTION OPTION
- ⚠️ J268-1, -3 AND J268-2, -4 ARE CONNECTED ON UNITS WITHOUT HUMIDITROL OR PHASE DETECTION OPTIONS
- ⚠️ MOVE WIRE FROM 240 TO 208 TAP ON T1 OR T43 TRANSFORMERS FOR 208 LINE VOLTAGE APPLICATIONS
- ⚠️ S49 IS PART OF A 5VDC CIRCUIT
- ⚠️ USED ON ENVIRON COIL SYSTEM ONLY

J/P #	JACK/PLUG DESCRIPTION
2	HEAT
3	ECONOMIZER BYPASS
18	EXHAUST FAN
24	EXHAUST FAN
43	BLOWER MOTOR
49	MOTOR VARIABLE SPEED
259	ECM MOTORS
263	HIGH AND LOW PRESSURE SWITCHES
264	BLOWER DECK
265	CONTACTORS AND RELAYS
266	HEATING CONTROL STG 1
267	OUTDOOR FAN AREA
268	TRANSFORMER 1 POWER
269	HUMIDITROL
299	HUMIDITROL INTERFACE

NOTE - IF ANY WIRE IN THIS APPLIANCE IS REPLACED IT MUST BE REPLACED WITH WIRE OF LIKE SIZE, RATING, TERMINATION AND INSULATION THICKNESS
 WARNING - ELECTRIC SHOCK HAZARD, CAN CAUSE INJURY OR DEATH. UNIT MUST BE GROUNDED IN ACCORDANCE WITH NATIONAL AND LOCAL CODES

DISCONNECT ALL POWER BEFORE SERVICING.

05/14		WIRING DIAGRAM	05/14
COOLING			
LCH/LGH - 036H,048H,060H - G,J,P,Y			
SECTION B		REV 0	
Supersedes		Form No. 537738-01	

