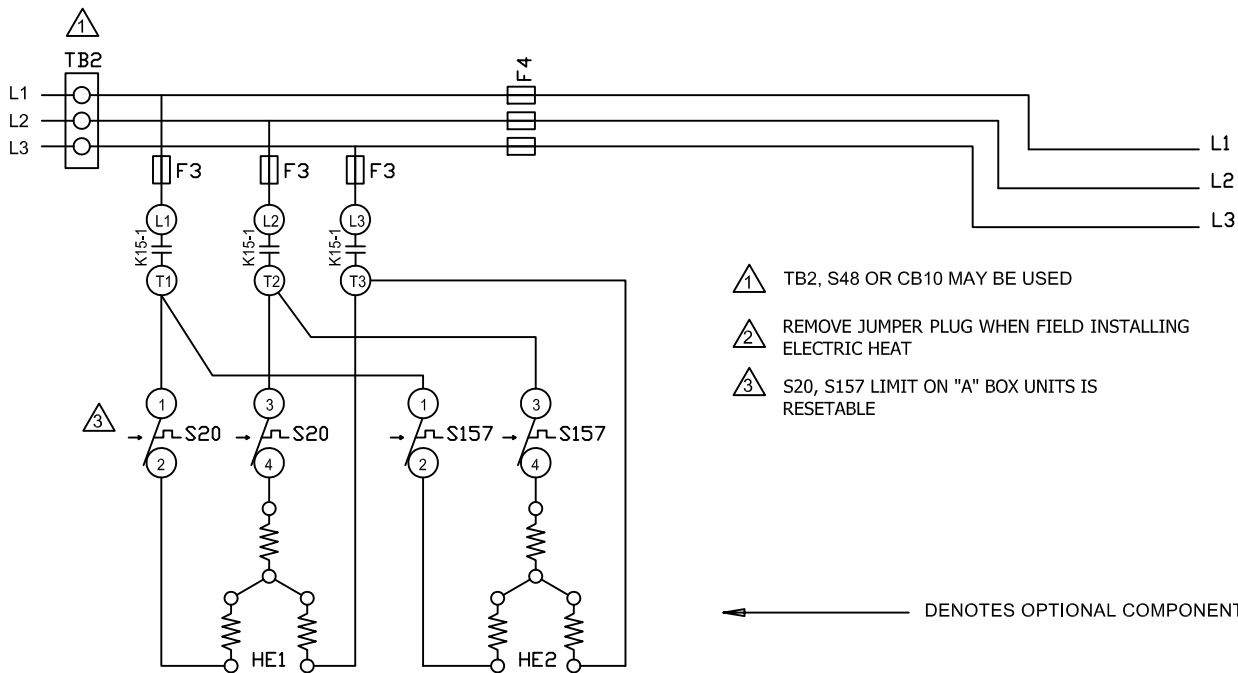



DESCRIPTION	
KEY	DESCRIPTION
A55	PANEL, MAIN
F3	FUSE, ELECTRIC HEAT
F4	FUSE, UNIT
HE -1	ELEMENT, ELECTRIC HEAT 1
J2	JACK, ELECTRIC HEAT
J265C	JACK, CONTACTOR RELAY
J266A	JACK, HEATING CONTROL STG 1
J271A,B	JACK, HEATING SENSORS STG 1
K15,-1	CONTACTOR, ELECTRIC HEAT 1
P2	PLUG, ELECTRIC HEAT
P265	PLUG, CONTACTOR RELAY
P266	PLUG, HEATING CONTROL
P271	PLUG, HEATING SENSORS STG 1
S15	SWITCH, LIMIT PRIMARY ELECTRIC HEAT
S20	SWITCH, LIMIT SECONDARY ELECTRIC HEAT 1
S157	SWITCH, LIMIT SECONDARY ELECTRIC HEAT 2
TB2	TERMINAL STRIP, UNIT



072	060	036 - 048	KW	HE1	HE2
			7.5	7.5	
			15	15	
			22.5	15	7.5
			30	15	15

05/14		WIRING DIAGRAM	05/14
		537740-01	
HEATING			
ELECTRIC HEAT FOR EMERGENCE E1EH - 7.5, 15, 22.5, 30 - G, J			
SECTION A			REV 0
Supersedes		New Form No. 537740-01	