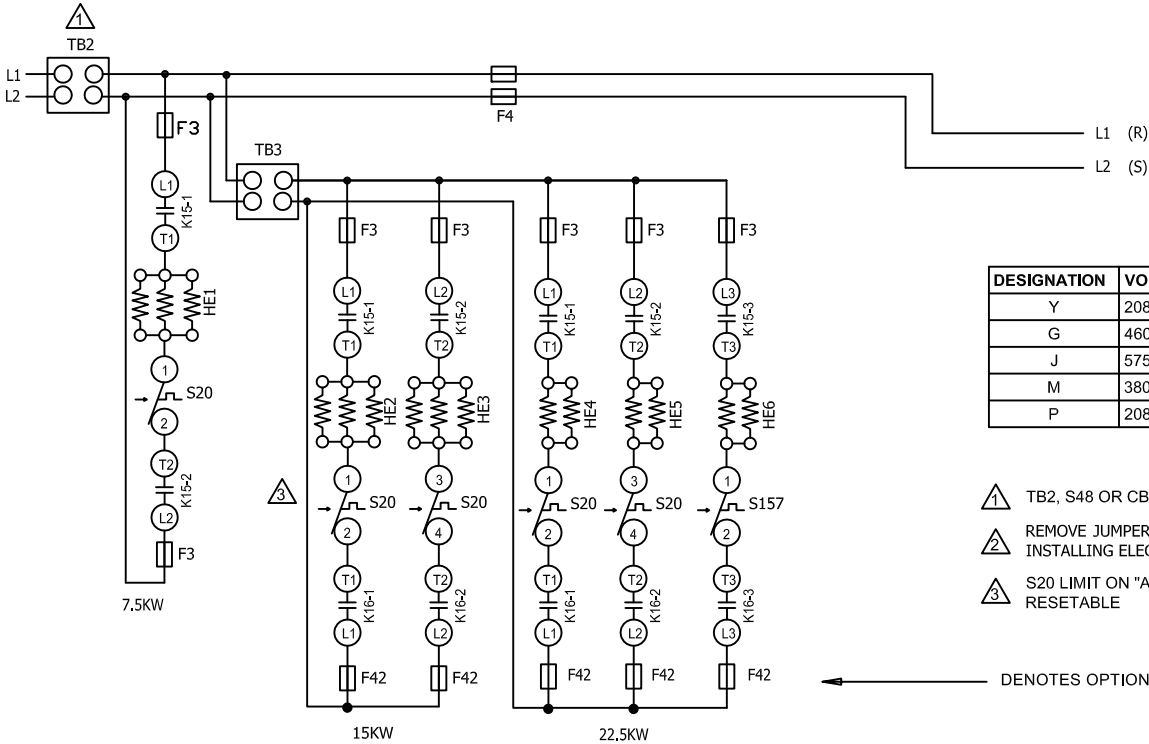


DESCRIPTION	
KEY	DESCRIPTION
A55	PANEL, MAIN
F3	FUSE, ELECTRIC HEAT
F4	FUSE, UNIT
HE -1	ELEMENT, ELECTRIC HEAT 1
HE -2	ELEMENT, ELECTRIC HEAT 2
HE -3	ELEMENT, ELECTRIC HEAT 3
HE -4	ELEMENT, ELECTRIC HEAT 4
HE -5	ELEMENT, ELECTRIC HEAT 5
HE -6	ELEMENT, ELECTRIC HEAT 6
J2	JACK, ELECTRIC HEAT
J265C	JACK, CONTACTOR RELAY
J266A	JACK, HEATING CONTROL STG 1
J271A,B	JACK, HEATING SENSORS STG 1
K15,-1	CONTACTOR, ELECTRIC HEAT 1
K16,-1	CONTACTOR, ELECTRIC HEAT 2
P2	PLUG, ELECTRIC HEAT
P7	PLUG, ELECTRIC HEAT SUB-BASE KIT
P265	PLUG, CONTACTOR RELAY
P266	PLUG, HEATING CONTROL
P271	PLUG, HEATING SENSORS STG 1
S15	SWITCH, LIMIT PRIMARY ELECTRIC HEAT
S20	SWITCH, LIMIT SECONDARY ELECTRIC HEAT 1
S157	SWITCH, LIMIT SECONDARY ELECTRIC HEAT 2
TB2	TERMINAL STRIP, UNIT



DESIGNATION	VOLTAGE
Y	208-230/60/3
G	460/60/3
J	575/60/3
M	380-420/50/3
P	208-230/60/1

- ⚠ TB2, S48 OR CB10 MAY BE USED
- ⚠ REMOVE JUMPER PLUG WHEN FIELD INSTALLING ELECTRIC HEAT
- ⚠ S20 LIMIT ON "A" BOX UNITS IS RESETTABLE

← DENOTES OPTIONAL COMPONENTS

		KW	HE1	HE2	HE3	HE4	HE5	HE6
060	036	7.5	7.5					
	- 048	15		7.5	7.5			
		22.5				7.5	7.5	7.5

09/14		WIRING DIAGRAM	09/14
		537741-02	
HEATING			
ELECTRIC HEAT FOR EMERGENCY E1EH - 7.5, 15, 22.5 - P			
SECTION A			REV 0
Supersedes		New Form No. 537741-02	