

KEY	DESCRIPTION
A55	CONTROL, BOARD LENNOX
A178	PANEL, COMPRESSORS 3 & 4, 2nd STAGE HEAT - C3
F3	FUSE, ELECTRIC HEAT
F4	FUSE, UNIT
F42	FUSE, ELECTRIC HEAT 1 A, 2A
F43	FUSE, ELECTRIC HEAT 3, 4
F44	FUSE, ELECTRIC HEAT 5
F45	FUSE, ELECTRIC HEAT 6, 7
HE1	ELEMENT, ELECTRIC HEAT 1
HE2	ELEMENT, ELECTRIC HEAT 2
HE3	ELEMENT, ELECTRIC HEAT 3
HE4	ELEMENT, ELECTRIC HEAT 4
HE5	ELEMENT, ELECTRIC HEAT 5
HE6	ELEMENT, ELECTRIC HEAT 6
HE7	ELEMENT, ELECTRIC HEAT 7
HE8	ELEMENT, ELECTRIC HEAT 8
K9-1	RELAY, HEAT
K15,-1	CONTACTOR, ELECTRIC HEAT 1,2
K16,-1	CONTACTOR, ELECTRIC HEAT 1A,2A
K17,-1	CONTACTOR, ELECTRIC HEAT 3,4
K18,-1	CONTACTOR, ELECTRIC HEAT 5,6

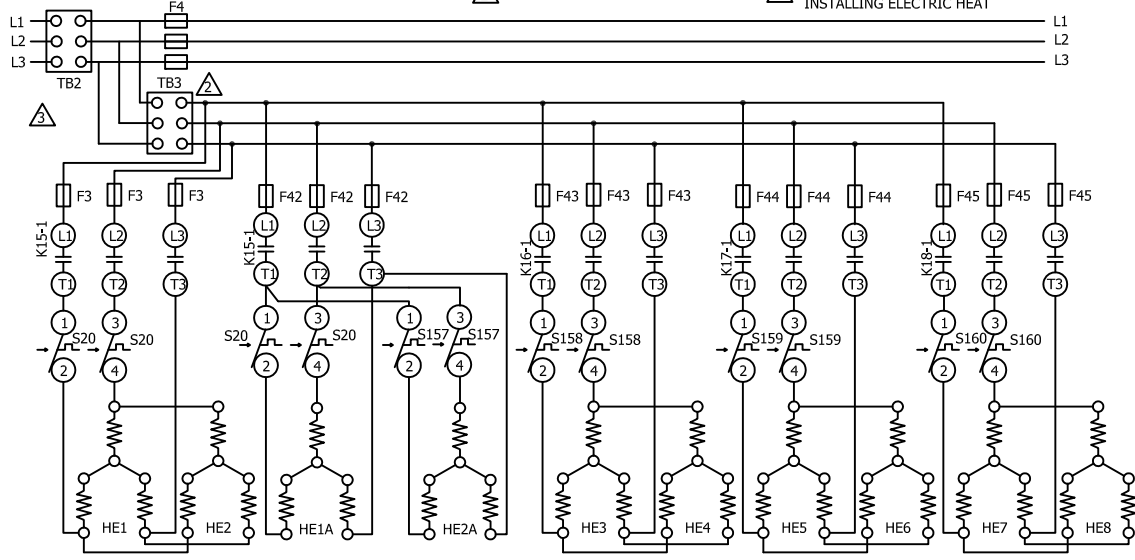
S15	SWITCH, LIMIT PRIMARY ELECTRIC HEAT
S20	SWITCH, LIMIT SECONDARY ELECTRIC HEAT 1,2
S107	SWITCH, PRIMARY ELECTRIC HEAT
S157	SWITCH, LIMIT SECONDARY ELECTRIC HEAT 1A
S158	SWITCH, LIMIT SECONDARY ELECTRIC HEAT 2A
S159	SWITCH, LIMIT SECONDARY ELECTRIC HEAT 3,4
S160	SWITCH, LIMIT SECONDARY ELECTRIC HEAT 5,6
TB2	TERMINAL STRIP, UNIT
TB3	TERMINAL STRIP, ELECTRIC HEAT

J/P	DESCRIPTION
7	ELECTRIC HEAT SUB-BASE KIT
37	ELECTRIC HEAT LIMIT
265	CONTACTOR RELAY
266	HEATING CONTROL
271	HEATING SENSORS STG 1
272	HEATING SENSORS STG 2

DESIGNATION	VOLTAGE
G	460/60/3
J	575/60/3
M	380-420/50/3

B UNITS 090 TO 150  
C UNITS 156 TO 240

- ⚠ NOT USED ON 15 AND 30KW UNITS
- ⚠ TB2, S48 OR CB10 MAY BE USED
- ⚠ TB3 IS USED IN SOME UNITS
- ⚠ REMOVE JUMPER PLUG WHEN FIELD INSTALLING ELECTRIC HEAT



B	C	KW	HE1	HE2	HE1A	HE2A	HE3	HE4	HE5	HE6	HE7	HE8
		45	15				15	15				
		60	15	15			15	15				
		15			7.5	7.5						
		30			15	15						
		45	15				7.5		15		7.5	
		60	15				15		15		15	
		90	15				15	15	15		15	15
		11.5			5.7	5.7						
		23			11.5	11.5						
		34.5	11.5				5.7		11.5		5.7	
		45.9	11.5				11.5		11.5		11.5	
		68.9	11.5				11.5	11.5	11.5		11.5	11.5

← DENOTES OPTIONAL COMPONENTS

10/14		WIRING DIAGRAM	10/14
		537754-01	
HEATING			
ELECTRIC HEAT FOR ENERGENCE			
E1EH,EHA - 15,30,45,60,90 - G,J			
E1EH,EHA - 11.5,23,34.5,45.9,68.9 - M			
SECTION A			REV.0
Supersedes		New Form No.	
		537754-01	