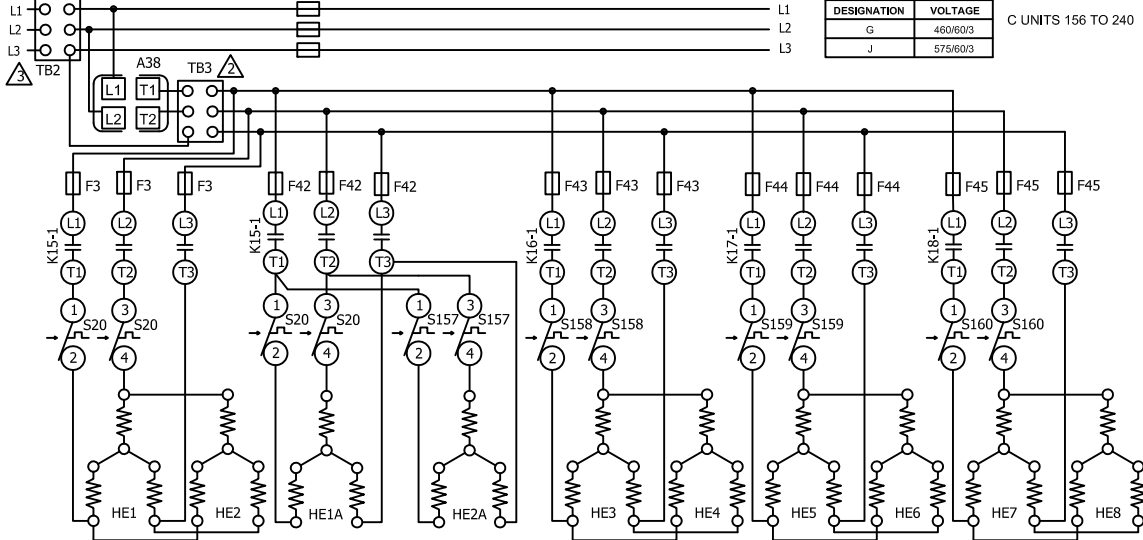
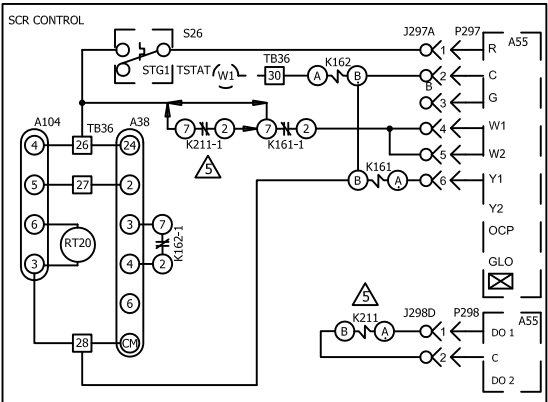


| KEY | DESCRIPTION |
|--------|---|
| A38 | CONTROL, SCR ELECTRIC HEAT |
| A55 | CONTROL, BOARD LENNOX |
| A104 | THERMOSTAT, SUPPLY AIR |
| A178 | PANEL, COMP 3 & 4, C3 2nd STAGE HEAT |
| F3 | FUSE, ELECTRIC HEAT |
| F4 | FUSE, UNIT |
| F42 | FUSE, ELECTRIC HEAT 1 A, 2A |
| F43 | FUSE, ELECTRIC HEAT 3, 4 |
| F44 | FUSE, ELECTRIC HEAT 5 |
| F45 | FUSE, ELECTRIC HEAT 6, 7 |
| HE1 | ELEMENT, ELECTRIC HEAT 1 |
| HE2 | ELEMENT, ELECTRIC HEAT 2 |
| HE3 | ELEMENT, ELECTRIC HEAT 3 |
| HE4 | ELEMENT, ELECTRIC HEAT 4 |
| HE5 | ELEMENT, ELECTRIC HEAT 5 |
| HE6 | ELEMENT, ELECTRIC HEAT 6 |
| HE7 | ELEMENT, ELECTRIC HEAT 7 |
| HE8 | ELEMENT, ELECTRIC HEAT 8 |
| K9-1 | RELAY, HEAT |
| K15-1 | CONTACTOR, ELECTRIC HEAT 1,2 |
| K16-1 | CONTACTOR, ELECTRIC HEAT 1A,2A |
| K17-1 | CONTACTOR, ELECTRIC HEAT 3,4 |
| K18-1 | CONTACTOR, ELECTRIC HEAT 5,6 |
| K161-1 | RELAY, SCR INTERRUPT |
| K162-1 | CONTACTOR, SCR HIGH OUTPUT |
| K211-1 | RELAY, HEAT LOCKOUT |
| RT20 | SENSOR, DISCHARGE, SCR |
| S15 | SWITCH, LIMIT PRIMARY ELECTRIC HEAT |
| S26 | THERMOSTAT, AMBIENT |
| S20 | SWITCH, LIMIT SECONDARY ELECTRIC HEAT 1,2 |
| S107 | SWITCH, PRIMARY ELECTRIC HEAT |
| S157 | SWITCH, LIMIT SECONDARY ELECTRIC HEAT 1A |
| S158 | SWITCH, LIMIT SECONDARY ELECTRIC HEAT 2A |
| S159 | SWITCH, LIMIT SECONDARY ELECTRIC HEAT 3,4 |
| S160 | SWITCH, LIMIT SECONDARY ELECTRIC HEAT 5,6 |
| TB2 | TERMINAL STRIP, UNIT |
| TB3 | TERMINAL STRIP, ELECTRIC HEAT |
| TB36 | TERMINAL STRIP, SCR |

| J/P | JACK/PLUG DESCRIPTION |
|-----|----------------------------|
| 7 | ELECTRIC HEAT SUB-BASE KIT |
| 37 | ELECTRIC HEAT LIMIT |
| 265 | CONTACTOR RELAY |
| 266 | HEATING CONTROL |
| 271 | HEATING SENSORS STG 1 |
| 272 | HEATING SENSORS STG 2 |
| 297 | THERMOSTAT DDC INTERFACE |
| 298 | IAQ INTERFACE |
| 332 | HEATING CONTROL STG. 2 |



| DESIGNATION | VOLTAGE | C UNITS 156 TO 240 |
|-------------|---------|--------------------|
| G | 460/603 | |
| J | 575/603 | |

- 1 NOT USED ON 15 AND 30KW UNITS
- 2 TB3 IS USED IN SOME UNITS
- 3 TB2, S48 OR CB10 MAY BE USED
- 4 REMOVE JUMPER PLUG WHEN FIELD INSTALLING ELECTRIC HEAT
- 5 K211 USED WITH HUMIDITROL CONTROL

← DENOTES OPTIONAL COMPONENTS

| | | SCR AMPS | | | | | | | | 480 | 600 | |
|----|-----|----------|------|------|-----|-----|-----|-----|-----|-----|-----|-----|
| KW | HE1 | HE2 | HE1A | HE2A | HE3 | HE4 | HE5 | HE6 | HE7 | HE8 | | |
| 15 | | | 7.5 | 7.5 | | | | | | | 30 | 15 |
| 30 | | | 15 | 15 | | | | | | | 40 | 40 |
| 45 | 15 | | | | 7.5 | | 15 | | 7.5 | | 75 | 50 |
| 60 | 15 | | | | 15 | | 15 | | 15 | | 90 | 75 |
| 90 | 15 | | | | 15 | 15 | 15 | | 15 | 15 | 135 | 135 |

09/14 WIRING DIAGRAM 09/14

537756-01

HEATING - SCR

SCR ELECTRIC HEAT CONTROL - STAND ALONE
15, 30, 45, 60, 90 - G, J

SECTION A REV 0

Supersedes New Form No.
537756-01