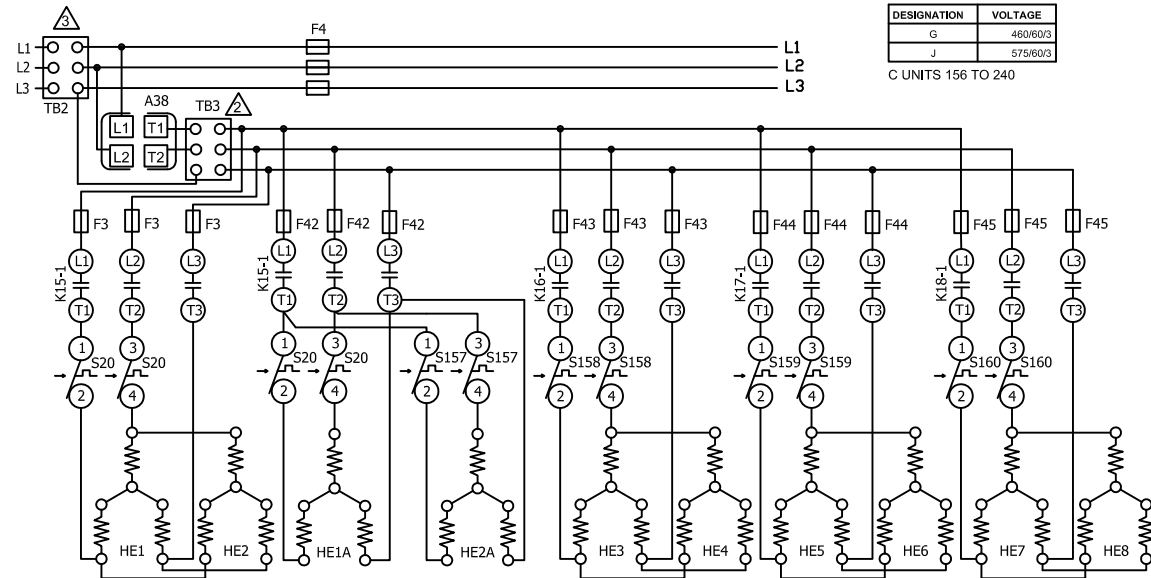


KEY	DESCRIPTION
A38	CONTROL, SCR ELECTRIC HEAT
A55	CONTROL, BOARD LENNOX
A178	PANEL, COMP 3 & 4, C3 2nd STGE HEAT
F3	FUSE, ELECTRIC HEAT
F4	FUSE, UNIT
F42	FUSE, ELECTRIC HEAT 1 A, 2A
F43	FUSE, ELECTRIC HEAT 3, 4
F44	FUSE, ELECTRIC HEAT 5
F45	FUSE, ELECTRIC HEAT 6, 7
HE1	ELEMENT, ELECTRIC HEAT 1
HE2	ELEMENT, ELECTRIC HEAT 2
HE3	ELEMENT, ELECTRIC HEAT 3
HE4	ELEMENT, ELECTRIC HEAT 4
HE5	ELEMENT, ELECTRIC HEAT 5
HE6	ELEMENT, ELECTRIC HEAT 6
HE7	ELEMENT, ELECTRIC HEAT 7
HE8	ELEMENT, ELECTRIC HEAT 8
K9-1	RELAY, HEAT
K15,-1	CONTACTOR, ELECTRIC HEAT 1,2
K16,-1	CONTACTOR, ELECTRIC HEAT 1A,2A
K17,-1	CONTACTOR, ELECTRIC HEAT 3,4
K18,-1	CONTACTOR, ELECTRIC HEAT 5,6
S15	SWITCH, LIMIT PRIMARY ELEC. HEAT
S20	SWITCH, LIMIT SEC. ELEC. HEAT 1,2
S107	SWITCH, PRIMARY ELECTRIC HEAT
S157	SWITCH, LIMIT SEC. ELEC. HEAT 1A
S158	SWITCH, LIMIT SEC. ELEC. HEAT 2A
S159	SWITCH, LIMIT SEC. ELEC. HEAT 3,4
S160	SWITCH, LIMIT SEC. ELEC. HEAT 5,6
TB2	TERMINAL STRIP, UNIT
TB3	TERMINAL STRIP, ELECTRIC HEAT
TB36	TERMINAL STRIP, SCR

J/P	JACK/PLUG DESCRIPTION
7	ELECTRIC HEAT SUB-BASE KIT
37	ELECTRIC HEAT LIMIT
266	HEATING CONTROL
271	HEATING SENSORS STG 1
272	HEATING SENSORS STG 2
297	THERMOSTAT DDC INTERFACE
298	IAQ INTERFACE
332	HEATING CONTROL STG. 2

DESIGNATION	VOLTAGE
G	480/60/3
J	575/60/3


C UNITS 156 TO 240



- ⚠ NOT USED ON 15 AND 30KW UNITS
- ⚠ TB2, S48 OR CB10 MAY BE USED
- ⚠ TB3 IS USED IN SOME UNITS
- ⚠ REMOVE JUMPER PLUG WHEN FIELD INSTALLING ELECTRIC HEAT

← DENOTES OPTIONAL COMPONENTS

KW	HEATERS								SCR AMPERS			
	HE1	HE2	HE1A	HE2A	HE3	HE4	HE5	HE6	HE7	HE8	480	600
15			7.5	7.5							30	15
30			15	15							40	40
45	15				7.5		15		7.5		75	50
60	15				15		15		15		90	75
90	15				15	15	15		15	15	135	135

11/15		WIRING DIAGRAM	11/15
		537758-01	
HEATING - SCR			
SCR ELECTRIC HEAT -THIRD PARTY CONTROLLED 15, 30, 45, 60, 90 - G, J			
SECTION A			REV 1
Supersedes		New Form No. 537758-01	