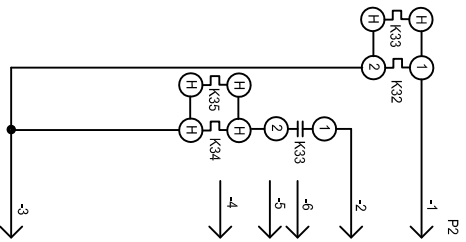


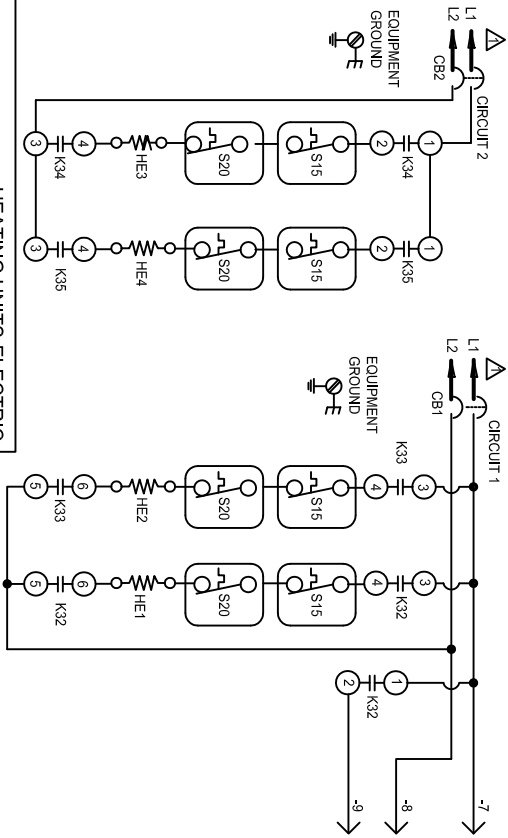
KEY	DESCRIPTION
CB1	CIRCUIT BREAKER-ELECT HEAT
CB2	CIRCUIT BREAKER-ELECT HEAT
HE1	ELEMENT-ELECTRIC HEAT 1
HE2	ELEMENT-ELECTRIC HEAT 2
HE3	ELEMENT-ELECTRIC HEAT 3
HE4	ELEMENT-ELECTRIC HEAT 4
K32	SEQUENCER-ELECTRIC HEAT
K33	SEQUENCER-ELECTRIC HEAT
K34	SEQUENCER-ELECTRIC HEAT
K35	SEQUENCER-ELECTRIC HEAT
P2	PLUG-ELECTRIC HEAT
S15	SWITCH-LIMIT PRIMARY ELECT HEAT
S20	SWITCH-LIMIT SECONDARY ELECT HEAT



REFER TO UNIT NAMEPLATE FOR MINIMUM CIRCUIT AMPACITY AND MAXIMUM OVERCURRENT PROTECTION SIZE.

LINE VOLTAGE FIELD INSTALLED

NOTE: USE COPPER CONDUCTORS ONLY



HEATING UNITS-ELECTRIC

ECB29-20CB-9P

2 HEAT 2 COOL

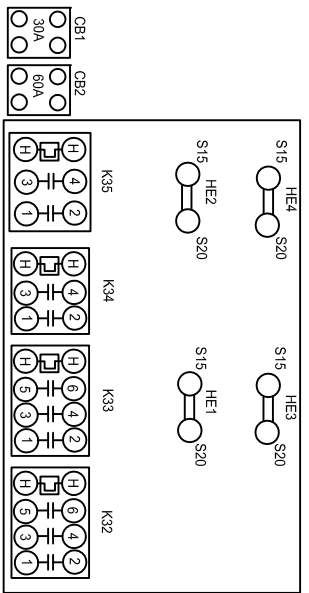
Supersedes

Form No. 537760-02

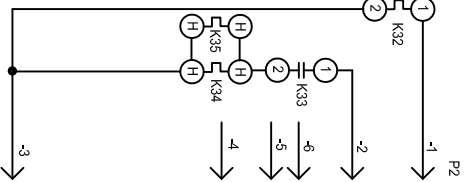


0415

© 2011



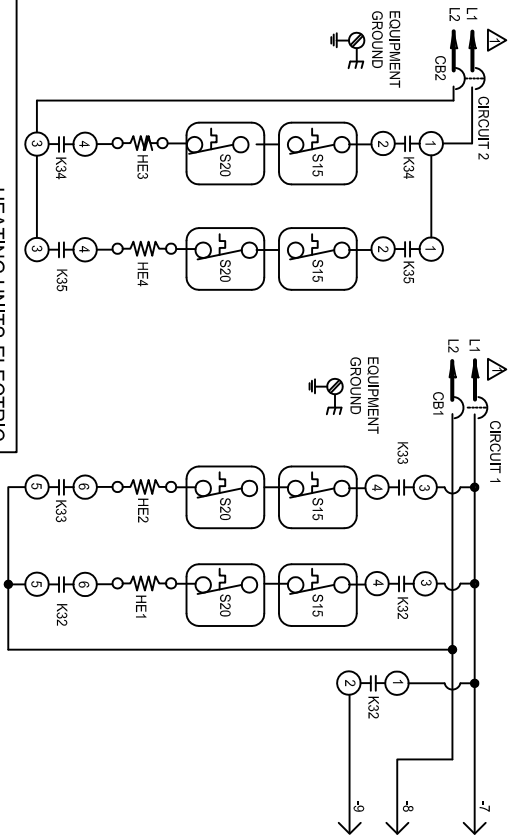
KEY	DESCRIPTION
CB1	CIRCUIT BREAKER-ELECT HEAT
CB2	CIRCUIT BREAKER-ELECT HEAT
HE1	ELEMENT-ELECTRIC HEAT 1
HE2	ELEMENT-ELECTRIC HEAT 2
HE3	ELEMENT-ELECTRIC HEAT 3
HE4	ELEMENT-ELECTRIC HEAT 4
K32	SEQUENCER-ELECTRIC HEAT
K33	SEQUENCER-ELECTRIC HEAT
K34	SEQUENCER-ELECTRIC HEAT
K35	SEQUENCER-ELECTRIC HEAT
P2	PLUG-ELECTRIC HEAT
S15	SWITCH-LIMIT PRIMARY ELECT HEAT
S20	SWITCH-LIMIT SECONDARY ELECT HEAT



REFER TO UNIT NAMEPLATE FOR MINIMUM CIRCUIT AMPACITY AND MAXIMUM OVERCURRENT PROTECTION SIZE.

LINE VOLTAGE FIELD INSTALLED

NOTE: USE COPPER CONDUCTORS ONLY



HEATING UNITS-ELECTRIC

ECB29-20CB-9P

2 HEAT 2 COOL

Supersedes

Form No. 537760-02



0415

© 2011