

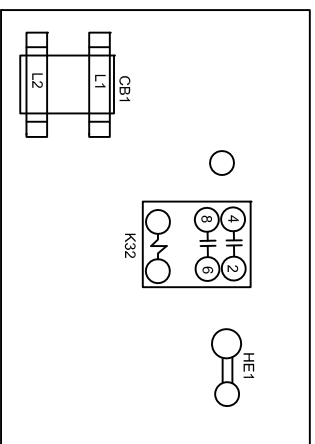
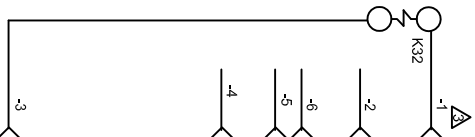
KEY	DESCRIPTION
CB1	CIRCUIT BREAKER-ELECT HEAT
HE1	ELEMENT-ELECTRIC HEAT 1
K32-1,2	RELAY-ELECTRIC HEAT
S15	SWITCH-LIMIT PRIMARY/ELECT HEAT
S20	SWITCH-LIMIT SECONDARY/ELECT HEAT
TB2	TERMINAL STRIP-UNIT

NOTE: USE COPPER CONDUCTORS ONLY

REFER TO UNIT NAMEPLATE FOR MINIMUM CIRCUIT AMPACITY AND MAXIMUM OVERCURRENT PROTECTION SIZE.

CONNECT POWER WIRES FROM UNIT LABELED L1 AND L2, TO TB2 TERMINAL STRIP ON HEATER PLATE.

CONNECT WIRES 1 THRU 9 TO P8 (9 PIN CONNECTOR) ON AHC CONTROL.



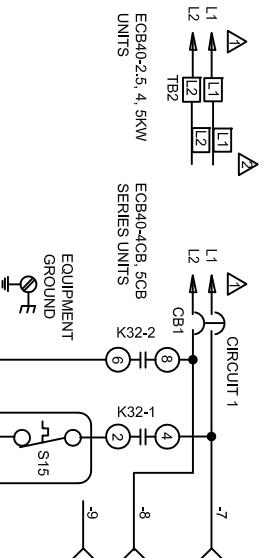
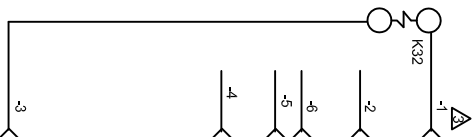
KEY	DESCRIPTION
CB1	CIRCUIT BREAKER-ELECT HEAT
HE1	ELEMENT-ELECTRIC HEAT 1
K32-1,2	RELAY-ELECTRIC HEAT
S15	SWITCH-LIMIT PRIMARY/ELECT HEAT
S20	SWITCH-LIMIT SECONDARY/ELECT HEAT
TB2	TERMINAL STRIP-UNIT

NOTE: USE COPPER CONDUCTORS ONLY

REFER TO UNIT NAMEPLATE FOR MINIMUM CIRCUIT AMPACITY AND MAXIMUM OVERCURRENT PROTECTION SIZE.

CONNECT POWER WIRES FROM UNIT LABELED L1 AND L2, TO TB2 TERMINAL STRIP ON HEATER PLATE.

CONNECT WIRES 1 THRU 9 TO P8 (9 PIN CONNECTOR) ON AHC CONTROL.



ECB40-2.5, 4, 5KW UNITS

ECB40-4CB, 5CB SERIES UNITS



HEATING-ELECTRIC

ECB40-2.5, 4, 5-P

ECB40-4CB, 5CB-P

Supersedes

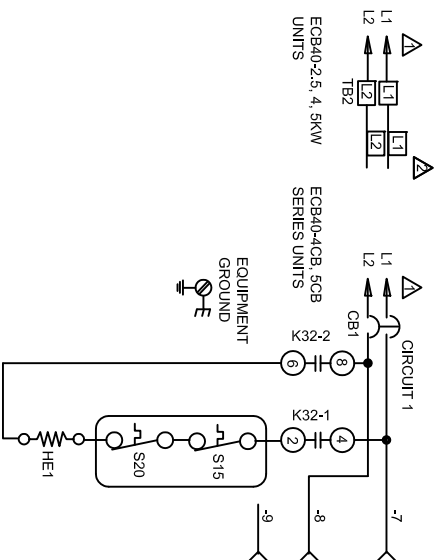
0714



Form No. 537761-01

© 2011

Litho U.S.A.



ECB40-2.5, 4, 5KW UNITS

ECB40-4CB, 5CB SERIES UNITS



HEATING-ELECTRIC

ECB40-2.5, 4, 5-P

ECB40-4CB, 5CB-P

Supersedes

0714



Form No. 537761-01

© 2011

Litho U.S.A.