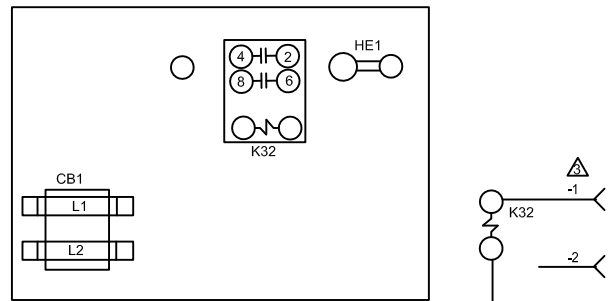


DESCRIPTION	
KEY	COMPONENT
CB1	CIRCUIT BREAKER-ELECT HEAT
HE1	ELEMENT-ELECTRIC HEAT 1
K32,-1,2	RELAY-ELECTRIC HEAT
S15	SWITCH-LIMIT,PRIMARY,ELECT HEAT
S20	SWITCH-LIMIT,SECONDARY,ELECT HEAT
TB2	TERMINAL STRIP-UNIT

NOTE: USE COPPER CONDUCTORS ONLY

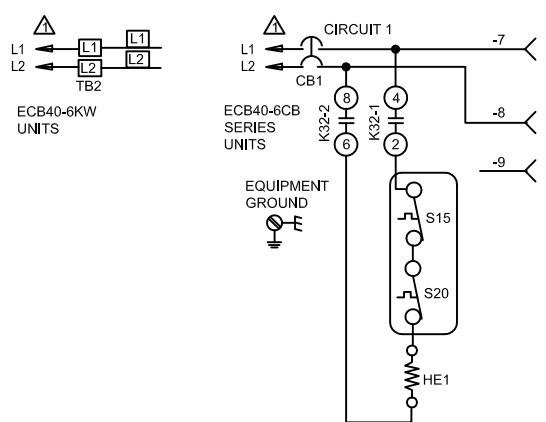
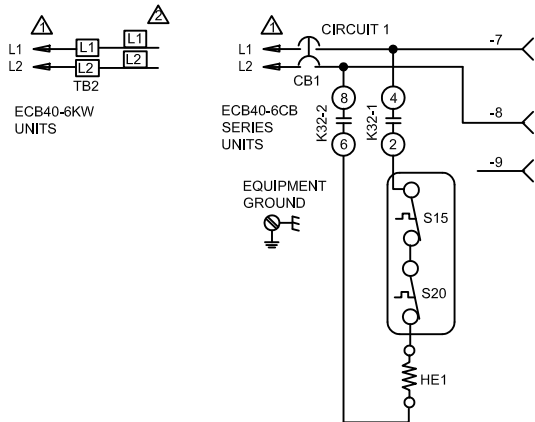
- ⚠ REFER TO UNIT NAMEPLATE FOR MINIMUM CIRCUIT AMPACITY AND MAXIMUM OVERCURRENT PROTECTION SIZE.
- ⚠ CONNECT POWER WIRES FROM UNIT LABELED L1 AND L2, TO TB2 TERMINAL STRIP ON HEATER PLATE.
- ⚠ CONNECT WIRES 1 THRU 9 TO P8 (9 PIN CONNECTOR) ON AHC CONTROL



DESCRIPTION	
KEY	COMPONENT
CB1	CIRCUIT BREAKER-ELECT HEAT
HE1	ELEMENT-ELECTRIC HEAT 1
K32,-1,2	RELAY-ELECTRIC HEAT
S15	SWITCH-LIMIT,PRIMARY,ELECT HEAT
S20	SWITCH-LIMIT,SECONDARY,ELECT HEAT
TB2	TERMINAL STRIP-UNIT

NOTE: USE COPPER CONDUCTORS ONLY

- ⚠ REFER TO UNIT NAMEPLATE FOR MINIMUM CIRCUIT AMPACITY AND MAXIMUM OVERCURRENT PROTECTION SIZE.
- ⚠ CONNECT POWER WIRES FROM UNIT LABELED L1 AND L2, TO TB2 TERMINAL STRIP ON HEATER PLATE.
- ⚠ CONNECT WIRES 1 THRU 9 TO P8 (9 PIN CONNECTOR) ON AHC CONTROL



LENNOX ® HEATING-ELECTRIC	
ECB40-6-P ECB40-6CB-P	
	Supersedes Form No.
0714	Form No. 537762-01

LENNOX ® HEATING-ELECTRIC	
ECB40-6-P ECB40-6CB-P	
	Supersedes Form No.
0714	Form No. 537762-01