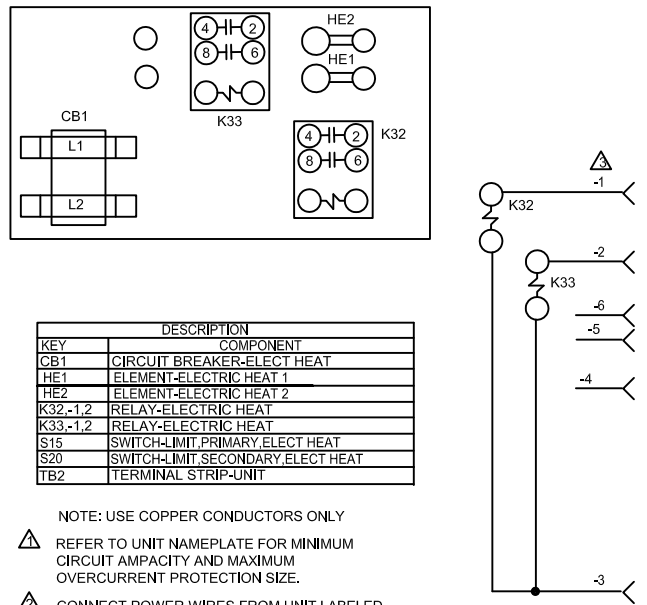


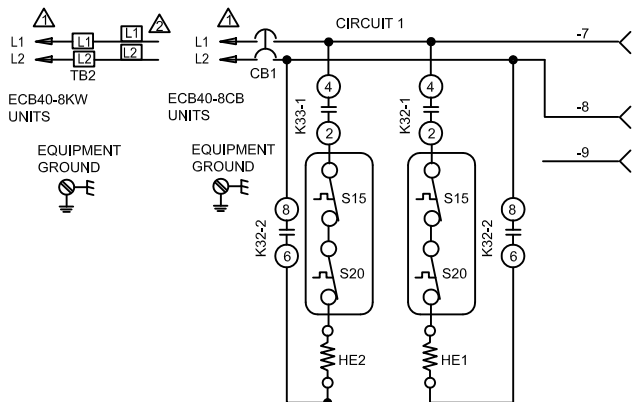
KEY	DESCRIPTION	COMPONENT
CB1	CIRCUIT BREAKER-ELECT HEAT	
HE1	ELEMENT-ELECTRIC HEAT 1	
HE2	ELEMENT-ELECTRIC HEAT 2	
K32,-1,2	RELAY-ELECTRIC HEAT	
K33,-1,2	RELAY-ELECTRIC HEAT	
S15	SWITCH-LIMIT,PRIMARY,ELECT HEAT	
S20	SWITCH-LIMIT,SECONDARY,ELECT HEAT	
TB2	TERMINAL STRIP-UNIT	

- NOTE: USE COPPER CONDUCTORS ONLY
- ⚠ REFER TO UNIT NAMEPLATE FOR MINIMUM CIRCUIT AMPACITY AND MAXIMUM OVERCURRENT PROTECTION SIZE.
 - ⚠ CONNECT POWER WIRES FROM UNIT LABELED L1 AND L2 TO TB2 TERMINAL STRIP ON HEATER PLATE
 - ⚠ CONNECT WIRES 1 THRU 9 TO P8 (9 PIN CONNECTOR) ON AHC CONTROL



KEY	DESCRIPTION	COMPONENT
CB1	CIRCUIT BREAKER-ELECT HEAT	
HE1	ELEMENT-ELECTRIC HEAT 1	
HE2	ELEMENT-ELECTRIC HEAT 2	
K32,-1,2	RELAY-ELECTRIC HEAT	
K33,-1,2	RELAY-ELECTRIC HEAT	
S15	SWITCH-LIMIT,PRIMARY,ELECT HEAT	
S20	SWITCH-LIMIT,SECONDARY,ELECT HEAT	
TB2	TERMINAL STRIP-UNIT	


- NOTE: USE COPPER CONDUCTORS ONLY
- ⚠ REFER TO UNIT NAMEPLATE FOR MINIMUM CIRCUIT AMPACITY AND MAXIMUM OVERCURRENT PROTECTION SIZE.
 - ⚠ CONNECT POWER WIRES FROM UNIT LABELED L1 AND L2 TO TB2 TERMINAL STRIP ON HEATER PLATE
 - ⚠ CONNECT WIRES 1 THRU 9 TO P8 (9 PIN CONNECTOR) ON AHC CONTROL



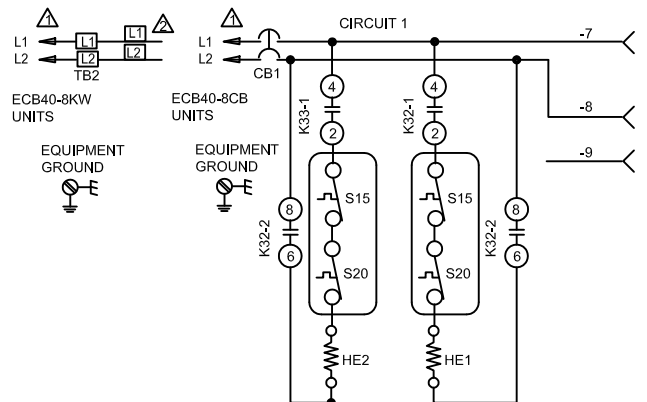
LENNOX HEATING-ELECTRIC

ECB40-8-P ECB40-9CB-P
ECB40-8CB-P

Supersedes

0714  Form No. 537763-01


© 2008 Litho U.S.A.



LENNOX HEATING-ELECTRIC

ECB40-8-P ECB40-9CB-P
ECB40-8CB-P

Supersedes

0714  Form No. 537763-01

© 2008 Litho U.S.A.