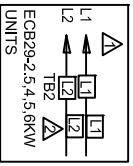
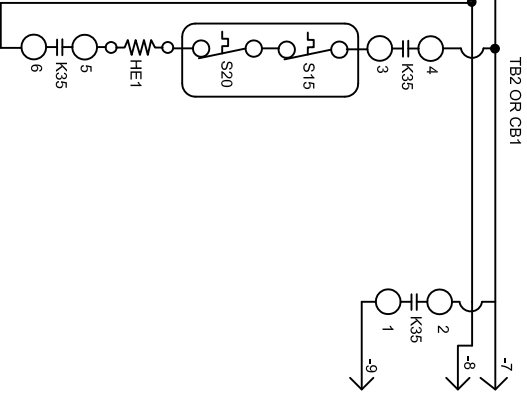


KEY	COMPONENT	DESCRIPTION
CB1	CIRCUIT BREAKER-ELECT HEAT	
HE1	ELEMENT-ELECTRIC HEAT 1	
K32-1/2	RELAY-ELECTRIC HEAT	
P2	PLUG-ELECTRIC HEAT	
S15	SWITCH-LIMIT PRIMARY ELECT HEAT	
S20	SWITCH-LIMIT SECONDARY ELECT HEAT	
TB2	TERMINAL STRIP-UNIT	

- NOTE: USE COPPER CONDUCTORS ONLY
- REFER TO UNIT NAMEPLATE FOR MINIMUM CIRCUIT AMPACITY AND MAXIMUM OVERCURRENT PROTECTION SIZE.
- CONNECT POWER WIRES FROM UNIT LABELED L1 AND L2 TO TB2 TERMINAL STRIP ON HEATER PLATE
- EQUIPMENT GROUND IS LOCATED IN INDOOR UNIT



EQUIPMENT GROUND



LINE VOLTAGE FIELD INSTALLED

HEATING-ELECTRIC

ECB29-2,5, 4, 5, 6, 4CB, 5CB, 6CB-6P

Supersedes

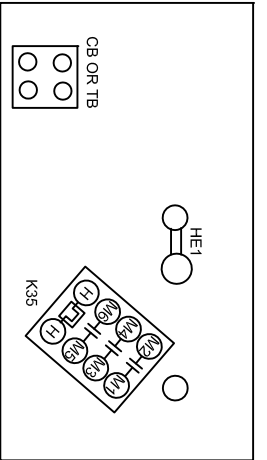
0714



Form No.
537764-01

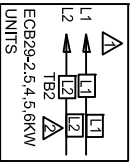
© 2011

Libco U.S.A.

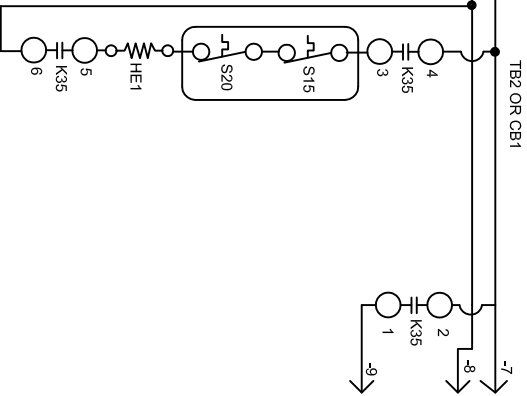


KEY	COMPONENT	DESCRIPTION
CB1	CIRCUIT BREAKER-ELECT HEAT	
HE1	ELEMENT-ELECTRIC HEAT 1	
K32-1/2	RELAY-ELECTRIC HEAT	
P2	PLUG-ELECTRIC HEAT	
S15	SWITCH-LIMIT PRIMARY ELECT HEAT	
S20	SWITCH-LIMIT SECONDARY ELECT HEAT	
TB2	TERMINAL STRIP-UNIT	

- NOTE: USE COPPER CONDUCTORS ONLY
- REFER TO UNIT NAMEPLATE FOR MINIMUM CIRCUIT AMPACITY AND MAXIMUM OVERCURRENT PROTECTION SIZE.
- CONNECT POWER WIRES FROM UNIT LABELED L1 AND L2 TO TB2 TERMINAL STRIP ON HEATER PLATE
- EQUIPMENT GROUND IS LOCATED IN INDOOR UNIT



EQUIPMENT GROUND



LINE VOLTAGE FIELD INSTALLED

HEATING-ELECTRIC

ECB29-2,5, 4, 5, 6, 4CB, 5CB, 6CB-6P

Supersedes

0714



Form No.
537764-01

© 2011

Libco U.S.A.

3-7/8" X 7-3/4"