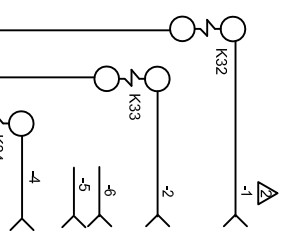
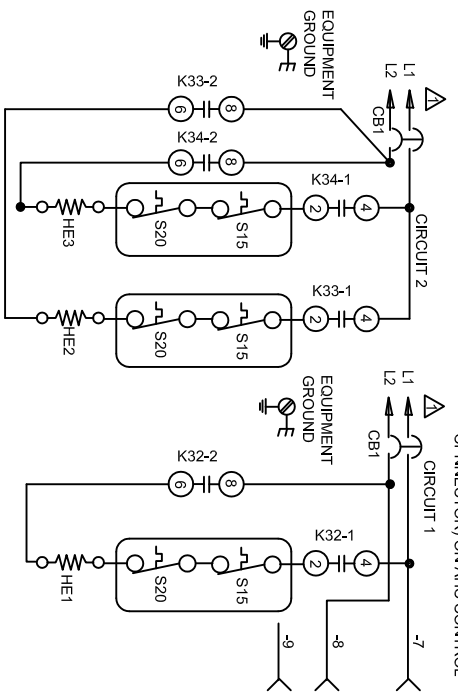
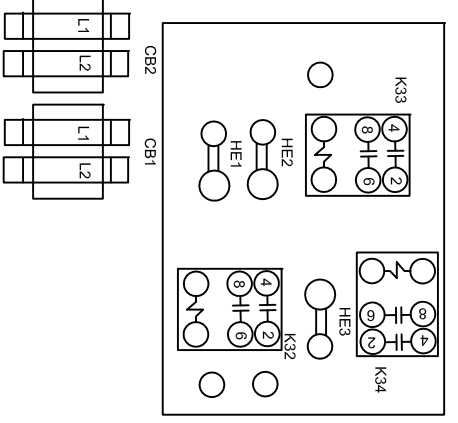


KEY	DESCRIPTION
CB1	CIRCUIT BREAKER-ELECT HEAT
CB2	CIRCUIT BREAKER-ELECT HEAT
HE1	ELEMENT-ELECTRIC HEAT 1
HE2	ELEMENT-ELECTRIC HEAT 2
HE3	ELEMENT-ELECTRIC HEAT 3
K32-1/2	RELAY-ELECTRIC HEAT
K33-1/2	RELAY-ELECTRIC HEAT
K34-1/2	RELAY-ELECTRIC HEAT
S15	SWITCH-LIMIT PRIMARY ELECT HEAT
S20	SWITCH-LIMIT SECONDARY ELECT HEAT

NOTE: USE COPPER CONDUCTORS ONLY

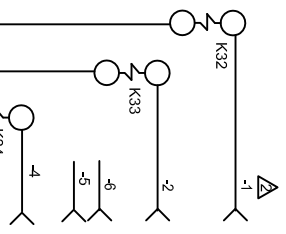
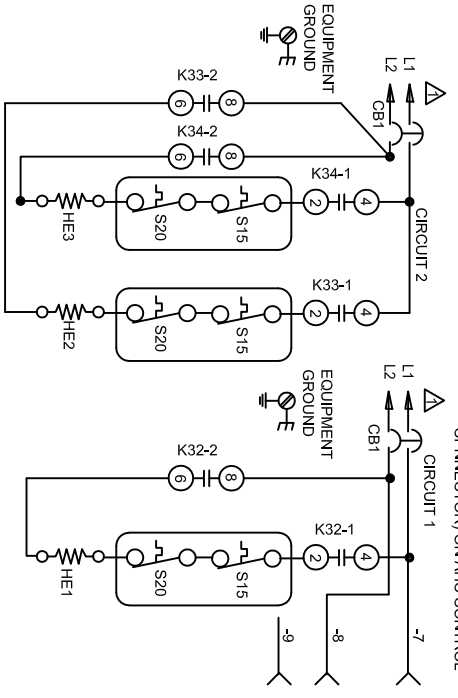


REFER TO UNIT NAMEPLATE FOR MINIMUM CIRCUIT AMPACITY AND MAXIMUM OVERCURRENT PROTECTION SIZE.  
CONNECT WIRES 1 THRU 9 TO P8 (9 PIN CONNECTOR) ON AHC CONTROL.



KEY	DESCRIPTION
CB1	CIRCUIT BREAKER-ELECT HEAT
CB2	CIRCUIT BREAKER-ELECT HEAT
HE1	ELEMENT-ELECTRIC HEAT 1
HE2	ELEMENT-ELECTRIC HEAT 2
HE3	ELEMENT-ELECTRIC HEAT 3
K32-1/2	RELAY-ELECTRIC HEAT
K33-1/2	RELAY-ELECTRIC HEAT
K34-1/2	RELAY-ELECTRIC HEAT
S15	SWITCH-LIMIT PRIMARY ELECT HEAT
S20	SWITCH-LIMIT SECONDARY ELECT HEAT

NOTE: USE COPPER CONDUCTORS ONLY



REFER TO UNIT NAMEPLATE FOR MINIMUM CIRCUIT AMPACITY AND MAXIMUM OVERCURRENT PROTECTION SIZE.  
CONNECT WIRES 1 THRU 9 TO P8 (9 PIN CONNECTOR) ON AHC CONTROL.

**LENNIX** HEATING-ELECTRIC

ECB40-12.5CB, 15CB-P

Supersedes

Form No. 537765-01

0714



Libro U.S.A.

© 2008

**LENNIX** HEATING-ELECTRIC

ECB40-12.5CB, 15CB-P

Supersedes

Form No. 537765-01

0714



Libro U.S.A.

© 2008