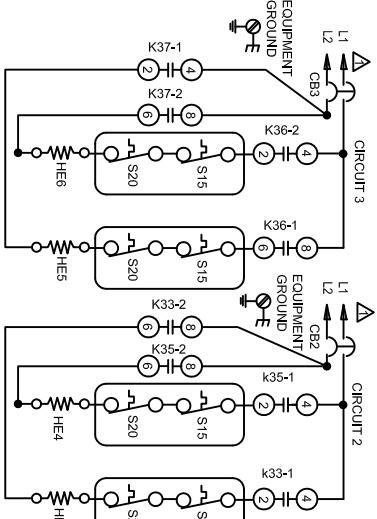
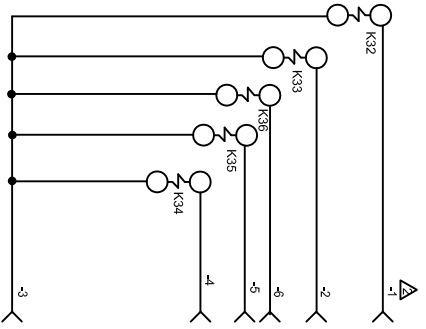


KEY	COMPONENT
CB1	CIRCUIT BREAKER-ELECT HEAT
CB2	CIRCUIT BREAKER-ELECT HEAT
CB3	CIRCUIT BREAKER-ELECT HEAT
HE1	ELEMENT-ELECTRIC HEAT 1
HE2	ELEMENT-ELECTRIC HEAT 2
HE3	ELEMENT-ELECTRIC HEAT 3
HE4	ELEMENT-ELECTRIC HEAT 4
HE5	ELEMENT-ELECTRIC HEAT 5
HE6	ELEMENT-ELECTRIC HEAT 6
K32-1/2	RELAY-ELECTRIC HEAT
K33-1/2	RELAY-ELECTRIC HEAT
K34-1/2	RELAY-ELECTRIC HEAT
K35-1/2	RELAY-ELECTRIC HEAT
K36-1/2	RELAY-ELECTRIC HEAT
S20	SWITCH-LIMIT SECONDARY-ELECT HEAT



NOTE: USE COPPER CONDUCTORS ONLY  
 REFER TO UNIT NAMEPLATE FOR MINIMUM  
 CIRCUIT AMPACITY AND MAXIMUM  
 OVERCURRENT PROTECTION SIZE.  
 CONNECT WIRES 1 THRU 9 TO P8 (9 PIN  
 CONNECTOR) ON AHC CONTROL.

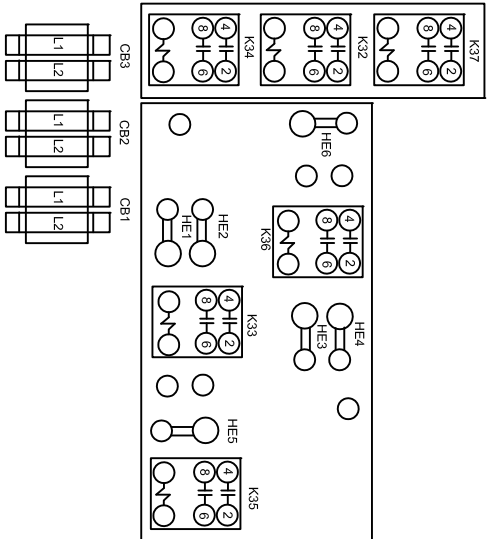
**LENNY** HEATING-ELECTRIC

ECB40-25CB-P

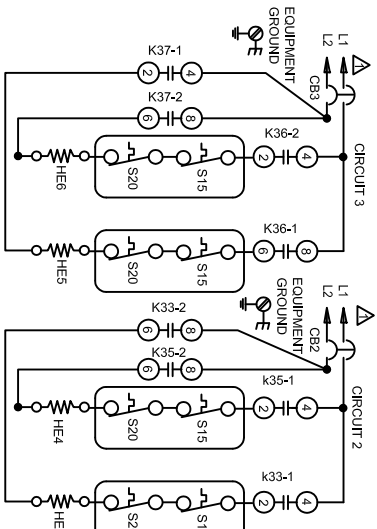
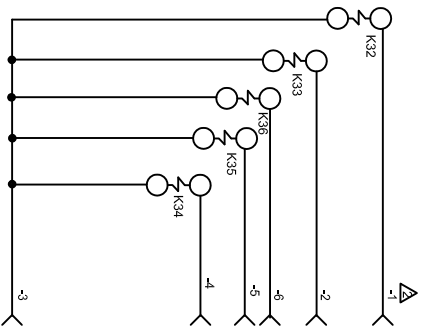
Supersedes

Form No. 537767-01

© 2008 Linnco U.S.A.



KEY	COMPONENT
CB1	CIRCUIT BREAKER-ELECT HEAT
CB2	CIRCUIT BREAKER-ELECT HEAT
CB3	CIRCUIT BREAKER-ELECT HEAT
HE1	ELEMENT-ELECTRIC HEAT 1
HE2	ELEMENT-ELECTRIC HEAT 2
HE3	ELEMENT-ELECTRIC HEAT 3
HE4	ELEMENT-ELECTRIC HEAT 4
HE5	ELEMENT-ELECTRIC HEAT 5
HE6	ELEMENT-ELECTRIC HEAT 6
K32-1/2	RELAY-ELECTRIC HEAT
K33-1/2	RELAY-ELECTRIC HEAT
K34-1/2	RELAY-ELECTRIC HEAT
K35-1/2	RELAY-ELECTRIC HEAT
K36-1/2	RELAY-ELECTRIC HEAT
S20	SWITCH-LIMIT SECONDARY-ELECT HEAT



NOTE: USE COPPER CONDUCTORS ONLY  
 REFER TO UNIT NAMEPLATE FOR MINIMUM  
 CIRCUIT AMPACITY AND MAXIMUM  
 OVERCURRENT PROTECTION SIZE.  
 CONNECT WIRES 1 THRU 9 TO P8 (9 PIN  
 CONNECTOR) ON AHC CONTROL.

**LENNY** HEATING-ELECTRIC

ECB40-25CB-P

Supersedes

Form No. 537767-01

© 2008 Linnco U.S.A.