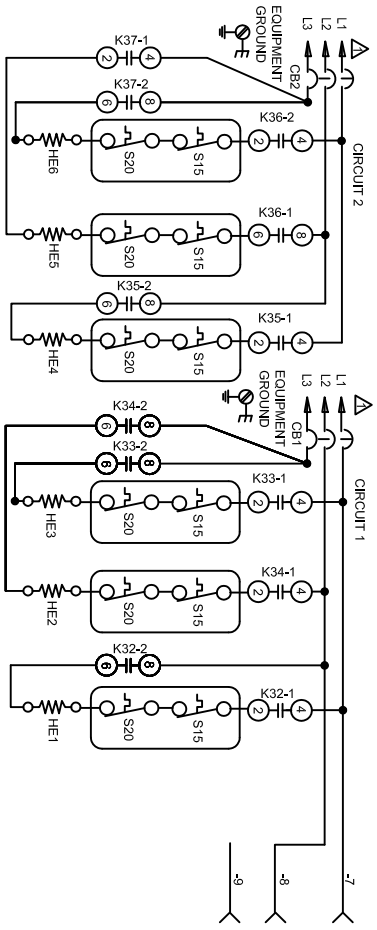
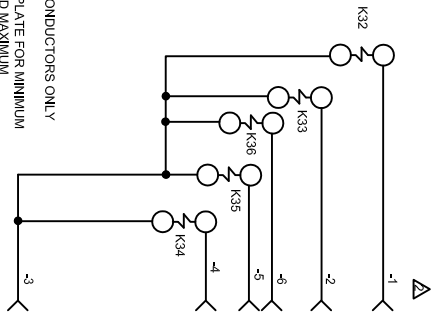


KEY	DESCRIPTION
CB1	CIRCUIT BREAKER-ELECT HEAT
CB2	CIRCUIT BREAKER-ELECT HEAT
HE1	ELEMENT-ELECTRIC HEAT 1
HE2	ELEMENT-ELECTRIC HEAT 2
HE3	ELEMENT-ELECTRIC HEAT 3
HE4	ELEMENT-ELECTRIC HEAT 4
HE5	ELEMENT-ELECTRIC HEAT 5
HE6	ELEMENT-ELECTRIC HEAT 6
HE7	RELAY-ELECTRIC HEAT
HE8	RELAY-ELECTRIC HEAT
K33-1,2	RELAY-ELECTRIC HEAT
K34-1,2	RELAY-ELECTRIC HEAT
K35-1,2	RELAY-ELECTRIC HEAT
K36-1,2	RELAY-ELECTRIC HEAT
K37-1,2	RELAY-ELECTRIC HEAT
S20	SWITCH-LIMIT SECONDARY/ELECT HEAT

NOTE: USE COPPER CONDUCTORS ONLY
 REFER TO UNIT NAMEPLATE FOR MINIMUM
 CIRCUIT AMPACITY AND MAXIMUM
 OVERCURRENT PROTECTION SIZE.
 CONNECT WIRES 1 THRU 9 TO P8 (Ø PIN
 CONNECTOR) ON AHC CONTROL.



LENNOX HEATING-ELECTRIC

ECB40-20CB, 25CB-Y

Supersedes

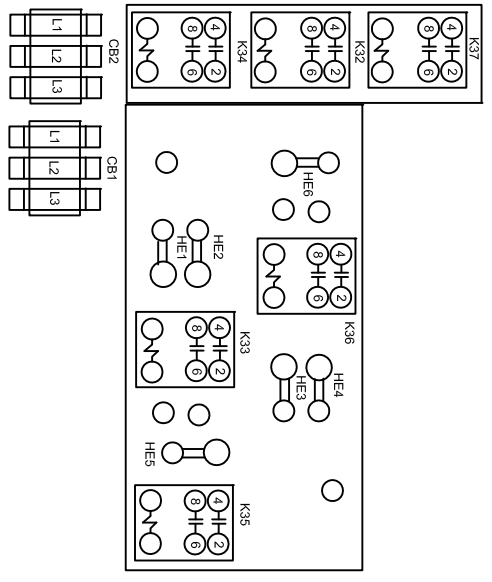


0714

Form No.
537769-01

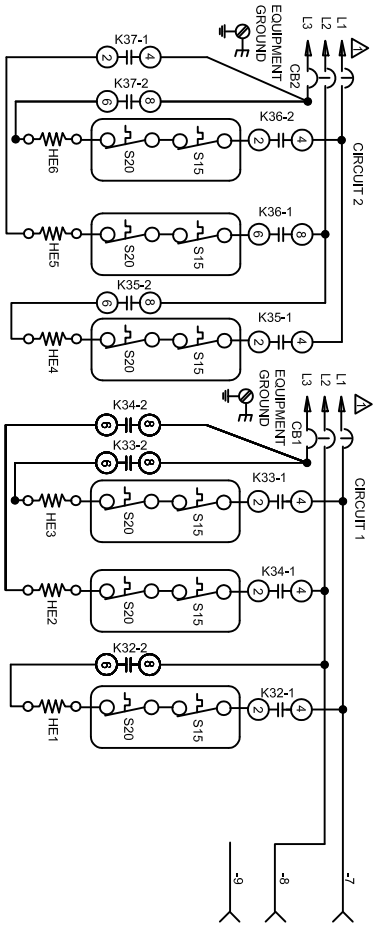
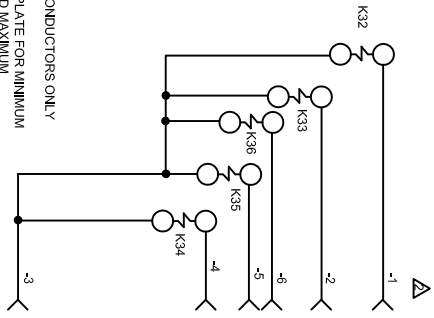
© 2008

Litho U.S.A.



KEY	DESCRIPTION
CB1	CIRCUIT BREAKER-ELECT HEAT
CB2	CIRCUIT BREAKER-ELECT HEAT
HE1	ELEMENT-ELECTRIC HEAT 1
HE2	ELEMENT-ELECTRIC HEAT 2
HE3	ELEMENT-ELECTRIC HEAT 3
HE4	ELEMENT-ELECTRIC HEAT 4
HE5	ELEMENT-ELECTRIC HEAT 5
HE6	ELEMENT-ELECTRIC HEAT 6
HE7	RELAY-ELECTRIC HEAT
HE8	RELAY-ELECTRIC HEAT
K33-1,2	RELAY-ELECTRIC HEAT
K34-1,2	RELAY-ELECTRIC HEAT
K35-1,2	RELAY-ELECTRIC HEAT
K36-1,2	RELAY-ELECTRIC HEAT
K37-1,2	RELAY-ELECTRIC HEAT
S20	SWITCH-LIMIT SECONDARY/ELECT HEAT

NOTE: USE COPPER CONDUCTORS ONLY
 REFER TO UNIT NAMEPLATE FOR MINIMUM
 CIRCUIT AMPACITY AND MAXIMUM
 OVERCURRENT PROTECTION SIZE.
 CONNECT WIRES 1 THRU 9 TO P8 (Ø PIN
 CONNECTOR) ON AHC CONTROL.



LENNOX HEATING-ELECTRIC

ECB40-20CB, 25CB-Y

Supersedes



0714

Form No.
537769-01

© 2008

Litho U.S.A.