

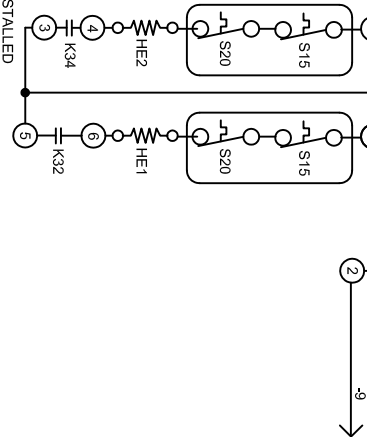
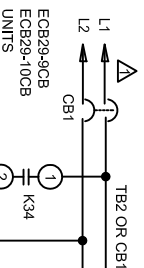
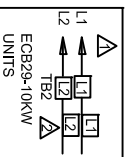
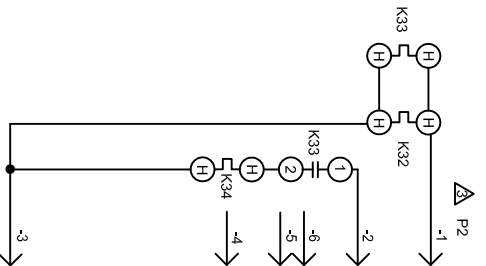
KEY	DESCRIPTION
CB1	CIRCUIT BREAKER-ELECT HEAT
HE1	ELEMENT-ELECTRIC HEAT 1
HE2	ELEMENT-ELECTRIC HEAT 2
K33	RELAY-ELECTRIC HEAT
K32	RELAY-ELECTRIC HEAT
P2	PLUG-ELECTRIC HEAT
S15	SWITCH-LIMIT PRIMARY ELECT HEAT
S20	SWITCH-LIMIT SECONDARY ELECT HEAT
TB2	TERMINAL STRIP-UNIT
K34	TERMINAL STRIP-UNIT

NOTE: USE COPPER CONDUCTORS ONLY

REFER TO UNIT NAMEPLATE FOR MINIMUM CIRCUIT AMPACITY AND MAXIMUM OVERCURRENT PROTECTION SIZE.

CONNECT POWER WIRES FROM UNIT LABELED L1 AND L2 TO TB2 TERMINAL STRIP ON HEATER PLATE

EQUIPMENT GROUND IS LOCATED IN INDOOR UNIT



LINE VOLTAGE FIELD INSTALLED

HEATING UNITS-ELECTRIC

ECB29-9CB, 10, 10CB-7P

2 HEAT 2 COOL

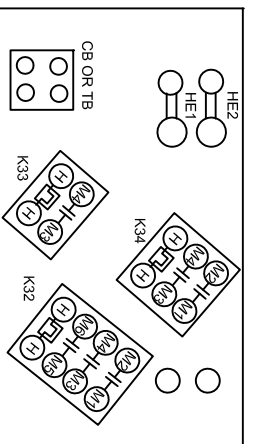
Supersedes



Form No. 537770-02

© 2011

Litho U.S.A.



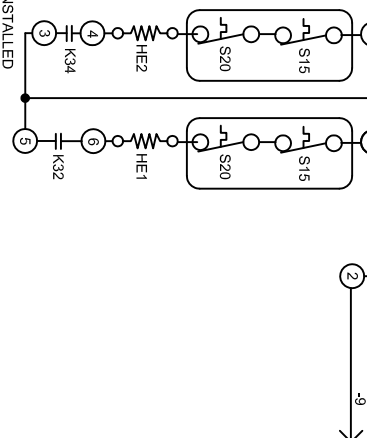
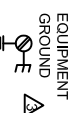
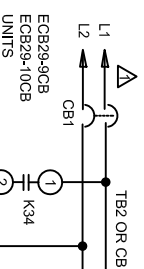
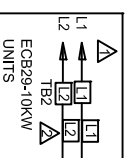
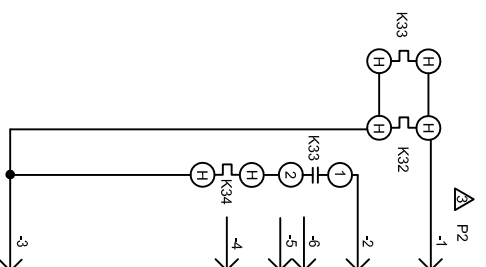
KEY	DESCRIPTION
CB1	CIRCUIT BREAKER-ELECT HEAT
HE1	ELEMENT-ELECTRIC HEAT 1
HE2	ELEMENT-ELECTRIC HEAT 2
K33	RELAY-ELECTRIC HEAT
K32	RELAY-ELECTRIC HEAT
P2	PLUG-ELECTRIC HEAT
S15	SWITCH-LIMIT PRIMARY ELECT HEAT
S20	SWITCH-LIMIT SECONDARY ELECT HEAT
TB2	TERMINAL STRIP-UNIT
K34	TERMINAL STRIP-UNIT

NOTE: USE COPPER CONDUCTORS ONLY

REFER TO UNIT NAMEPLATE FOR MINIMUM CIRCUIT AMPACITY AND MAXIMUM OVERCURRENT PROTECTION SIZE.

CONNECT POWER WIRES FROM UNIT LABELED L1 AND L2 TO TB2 TERMINAL STRIP ON HEATER PLATE

EQUIPMENT GROUND IS LOCATED IN INDOOR UNIT



LINE VOLTAGE FIELD INSTALLED

HEATING UNITS-ELECTRIC

ECB29-9CB, 10, 10CB-7P

2 HEAT 2 COOL

Supersedes



Form No. 537770-02

© 2011

Litho U.S.A.