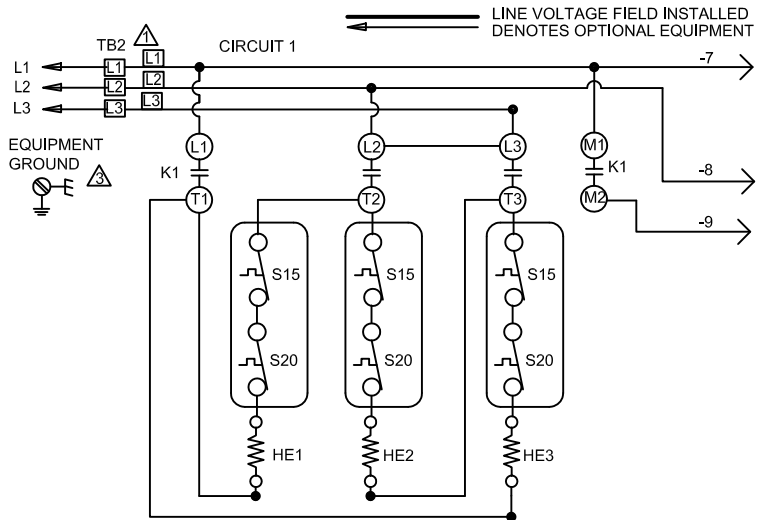
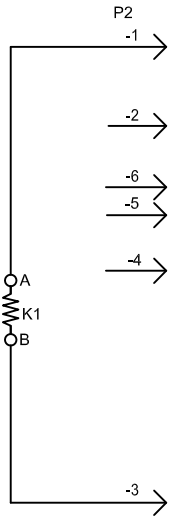


KEY	DESCRIPTION	COMPONENT
CB1	CIRCUIT BREAKER-ELECT HEAT	
HE1	ELEMENT-ELECTRIC HEAT 1	
HE2	ELEMENT-ELECTRIC HEAT 2	
HE3	ELEMENT-ELECTRIC HEAT 3	
K1	CONTACTOR	
P2	PLUG-ELECTRIC HEAT	
S15	SWITCH-LIMIT, PRIMARY, ELECT HEAT	
S20	SWITCH-LIMIT, SECONDARY, ELECT HEAT	
TB2	TERMINAL STRIP-ELECTRIC HEAT	

NOTE: USE COPPER CONDUCTORS ONLY

- ⚠ CONNECT POWER WIRES FROM HEATER, LABELED L1, L2, AND L3 TO TB2 TERMINAL STRIP INSIDE INDOOR UNIT
- ⚠ REFER TO UNIT NAMEPLATE FOR MINIMUM CIRCUIT AMPACITY AND MAXIMUM OVERCURRENT PROTECTION SIZE.
- ⚠ EQUIPMENT GROUND IS LOCATED IN INDOOR UNIT



HEATING-ELECTRIC	
ECB29-8,10-4-Y	
Supersedes	
0714	Form No. 537772-01