

- NOTE - FOR USE WITH COPPER CONDUCTORS ONLY REFER TO UNIT RATING PLATE FOR MINIMUM CIRCUIT AMPACITY AND MAXIMUM OVERCURRENT PROTECTION SIZE.
- IMPORTANT: TO PREVENT MOTOR BURNOUT, NEVER CONNECT MORE THAN ONE MOTOR LEAD TO ANY ONE CONNECTION. TAPE UNUSED MOTOR LEADS
- S42,N ARE USED ON M VOLT UNITS
- CONNECT A172 SENSOR TO J261 ON SUPPLY AIR SMOKE DETECTOR ONLY
- FOR EXTERNAL 24V SUPPLY SEE SECTION F4 DIAGRAM
- S40 (NO DL48,K191) USED ON KHA 072 UNITS ONLY
- K10 USED ON - G,J,M UNITS

24V POWER

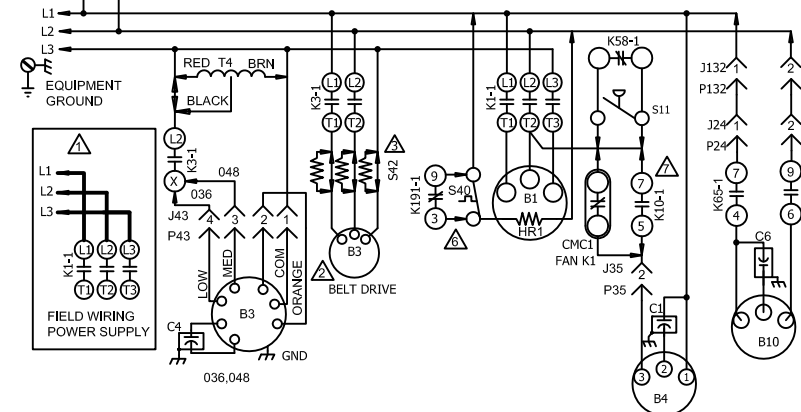
BLOWER(G)

HEAT 1(W1)

HEAT 2(W2)

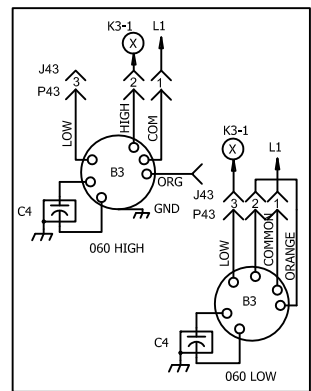
COOL 1(Y1)

KEY	COMPONENT
A6	CONTROL, SOLID STATE ENTHALPY
A171	SENSOR ONE, SMOKE, RETURN AIR
A172	SENSOR TWO, SMOKE, SUPPLY AIR
A173	MODULE, CONTROL SMOKE DETECTION
B1	COMPRESSOR
B3	MOTOR, BLOWER
B4	MOTOR, OUTDOOR FAN
B7	DAMPER MOTOR, ECONOMIZER
B10	MOTOR, EXHAUST FAN
C1	CAPACITOR, OUTDOOR FAN
C4	CAPACITOR, BLOWER MOTOR
C6	CAPACITOR, EXHAUST FAN
CB8	CIRCUIT, BREAKER
CMC1	TIMER, DEFROST COMPRESSOR 1
DL46	DELAY, OVERFLOW SWITCH
DL48	DELAY, CRANKCASE HEATER
HR1	HEATER, COMPRESSOR
K1-1	CONTACTOR, COMPRESSOR
K3-1	CONTACTOR, BLOWER
K8-1-2	CIRCUIT, BREAKER
K10-1	RELAY, OUTDOOR FAN 1
K58-1	RELAY, LOW AMBIENT KIT
K65-1,2	RELAY, EXHAUST FAN
K191-1	RELAY, CRANKCASE HEATER 1
K220-1	RELAY, OVERFLOW DELAY
L1	VALVE, REVERSING
S3	SWITCH, LIMIT LOW COMPRESSOR 1
S4	SWITCH, LIMIT HI PRESS COMPRESSOR 1
S5	SWITCH, LIMIT HI TEMP COMPRESSOR 1
S6	SWITCH, DEFROST, COMPRESSOR 1
S11	SWITCH, LOW PRESS, LOW AMBIENT KIT
S40	THERMOSTAT, CRANKCASE
S42	SWITCH, OVERLOAD RELAY BLOWER MOTOR
S49	SWITCH, FREEZE/STAT
S87	SWITCH, LOW PRESSURE, COMPRESSOR 1
S149	SWITCH, OVERFLOW
T1	TRANSFORMER, CONTROL
T4	TRANSFORMER, BLOWER MOTOR



NOTE - IF ANY WIRE IN THIS APPLIANCE IS REPLACED IT MUST BE REPLACED WITH WIRE OF LIKE SIZE, RATING, TERMINATION AND INSULATION THICKNESS
 WARNING - ELECTRIC SHOCK HAZARD. CAN CAUSE INJURY OR DEATH. UNIT MUST BE GROUNDED IN ACCORDANCE WITH NATIONAL AND LOCAL CODES
 DISCONNECT ALL POWER BEFORE SERVICING.

← DENOTES OPTIONAL COMPONENTS
 — LINE VOLTAGE FIELD INSTALLED



J / P	JACK / PLUG DESCRIPTION
2	HEAT
3	UNIT ECONOMIZER
10	ECONOMIZER
18	EXHAUST FAN
24	EXHAUST FAN
35	TEST
43	BLOWER MOTOR
45	INPUT
132	BLOWER, EXHAUST FAN MOTOR
250	SMOKE ONE
251	SENSOR ONE
252	SMOKE TWO
253	SENSOR TWO
255	MODULE, CONTROL SMOKE DETECTION
261	SMOKE DETECTOR JUMPER

10/14 WIRING DIAGRAM 10/14

537779-01

COOLING

KHA,B - 036, 048, 060, 072 - G, J,M,Y

SECTION B		REV 0
Supersedes 537633-01	New Form No. 537779-01	